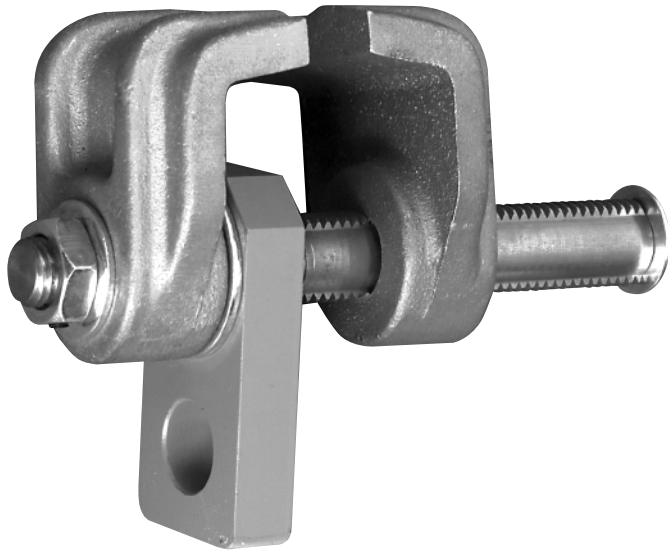


Adjustable I-Beam Clamp (SA-1039 & SA-1040)



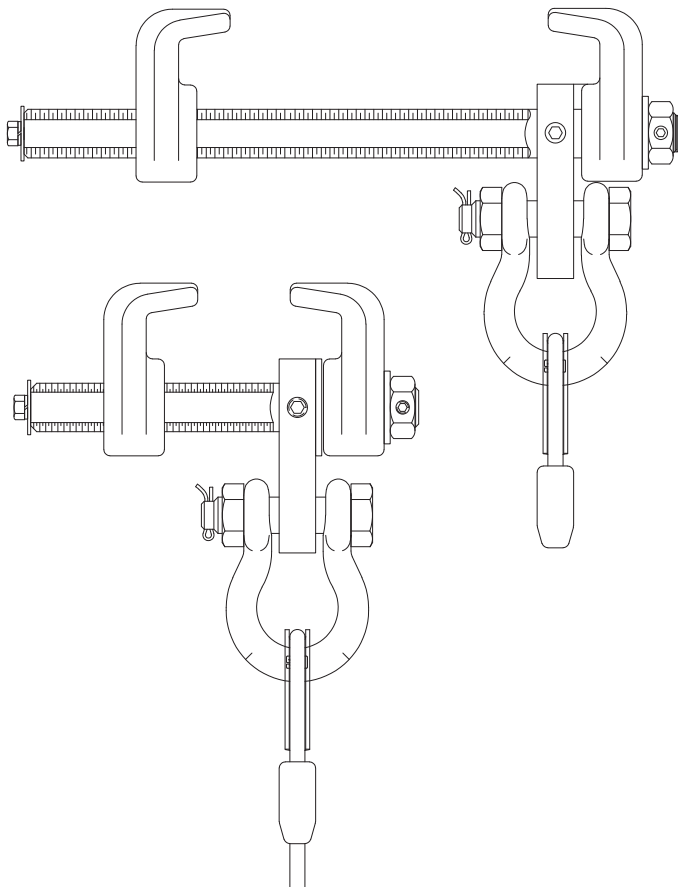
Self-locking steel clamp fits I-beam flanges:

- SA-1039 fits 1 1/2 to 4 in. (38 to 101 mm) wide
- SA-1040 fits 1 1/2 to 8 in. (38 to 203 mm) wide

Key Features:

- Heavy duty steel construction
- Time-tested design
- No tools required for installation
- Built by Spider in the USA

Specifications:	SA-1039 & SA-1040
Capacity:	1,500 lbs. (680.4 kg)
Weight:	SA-1039: 7 lbs. (3.2 kg) SA-1040: 8 lbs. (3.6 kg)



Notes for use:

- These I-beam clamps are intended to be used on the bottom flange of a horizontal I-beam or structural T.
- The flange should not be narrower than 1 1/2 in. (38 mm) and not wider than 4 in. (102 mm) for the SA-1039, or 8 in. (203 mm) for the SA-1040.
- The beam must be able to sustain the maximum rated working load with a safety factor of 4:1.
- Do not use these devices on a vertical beam or in a way that would place the suspension wire rope parallel to the beam.

Frequently used accessory:
See page 130 for SA-1002 Transfer chain.

More information online at
www.spiderstaging.com

For more information, call: 1-877-774-3370