

Mobile Socket

723642



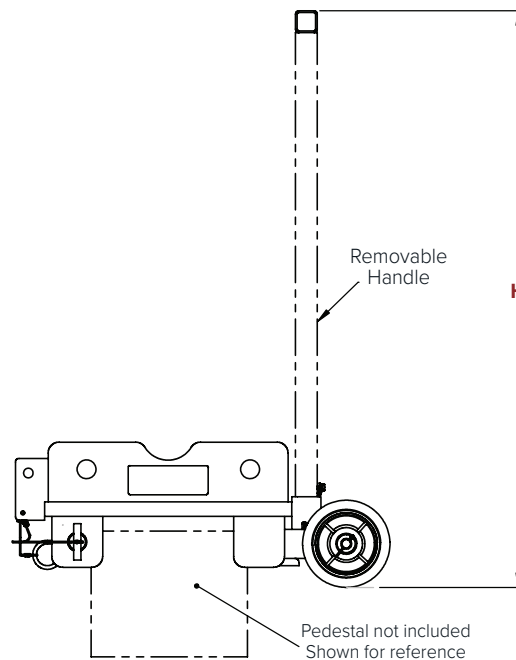
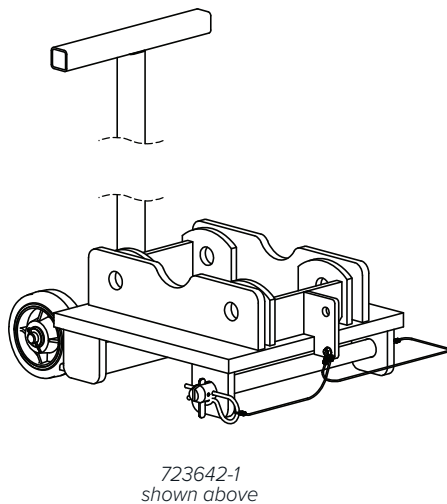
Description

Mobile sockets are the alternative to permanently mounted sockets. They can move from one pedestal to another to create a lower profile roof installation.

Part Number Logic

723642 - (X)
 Base Part Number
 -1: 1,000 lb Rated
 -2: 1,250 lb Rated

Part Number Example:
 723642-1: 1,000 lb rated, mobile socket



Part Number	723642
Function	Non-permanent socket to move between pedestals
Moment Rating	127,500 in-lb
Dimensions	Length and Width: 17" Height: 39 5/8" (10" without handle)
Weight	161 lb
Wheels	6" Diameter solid polymer with rubber tread
Material	Plates: ASTM A572 Steel GR50 and ASTM A36 Steel Hot Dipped Galvanized (ASTM A123)
Compatible with	723737-X-XX-XX and 723738-XX Pedestals
Compliance	Welding by AWS certified welders to AWS standards. Conforms with OSHA 1910.66, CAL/OSHA title 8, ASME A120.1-2014. Conforms with NYSDOL Advisory Standard 101.

Spider® is a division of SafeWorks, LLC. This data sheet and all reproductions are the property of SafeWorks, LLC including all information contained herein and any information derived from this data sheet. Users are solely responsible for the safe and proper use of all products or any derivative products. This data sheet is only intended for illustrative purposes and should not be relied upon in place of an operating manual or a competent user trained to properly use the products depicted. All dimensions and figures shown are for general information only and should be confirmed and permission obtained from SafeWorks LLC before being used for design or construction purposes. All information is subject to change without notice. SafeWorks LLC disclaims all liability from any use or misuse of the information contained herein.