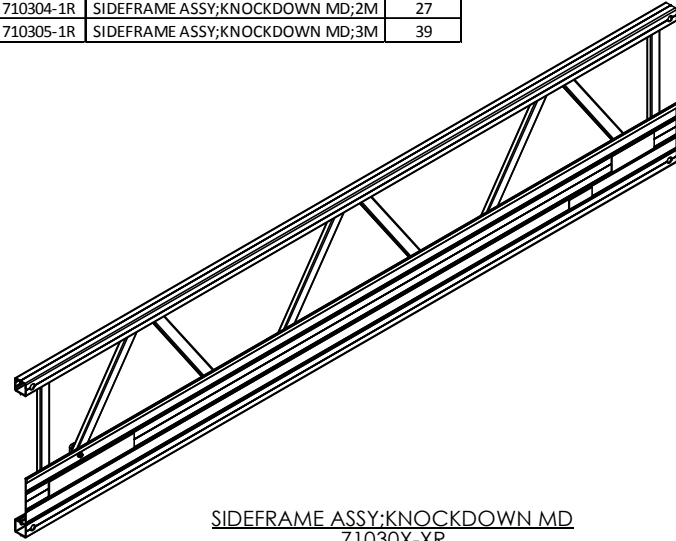
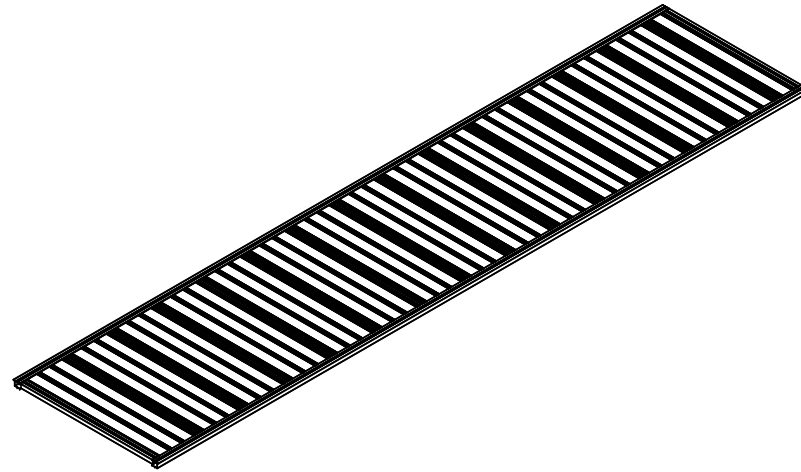


P/N	DESCRIPTION	WEIGHT
710303-1R	SIDEFRAE ASSY;KNOCKDOWN MD;1M	15
710304-1R	SIDEFRAE ASSY;KNOCKDOWN MD;2M	27
710305-1R	SIDEFRAE ASSY;KNOCKDOWN MD;3M	39



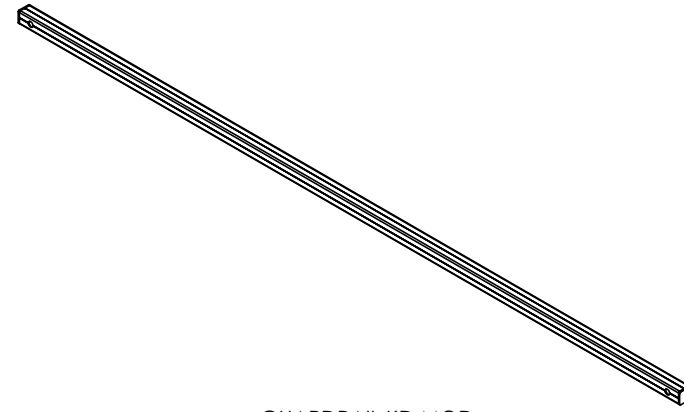
SIDEFRAE ASSY;KNOCKDOWN MD  
71030X-XR

P/N	DESCRIPTION	WEIGHT
709996-1R	DECK;KD MOD;1 METER	16
709995-1R	DECK;KD MOD;2 METER	29.5
709994-1R	DECK;KD MOD;3 METER	42

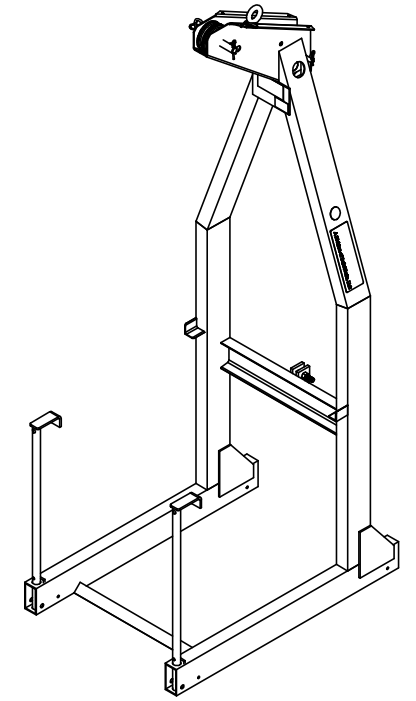


DECK;KD MOD  
70999X-XR

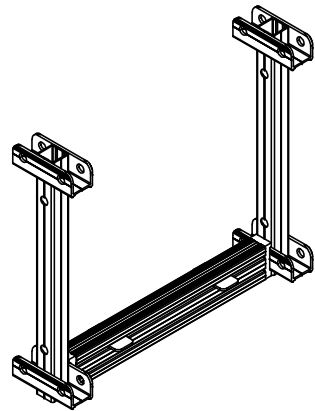
P/N	DESCRIPTION	WEIGHT
710023-1R	GUARDRAIL;KD MOD;1 METER	4
710022-1R	GUARDRAIL;KD MOD;2 METER	8
710000-1R	GUARDRAIL;KD MOD;3 METER	10



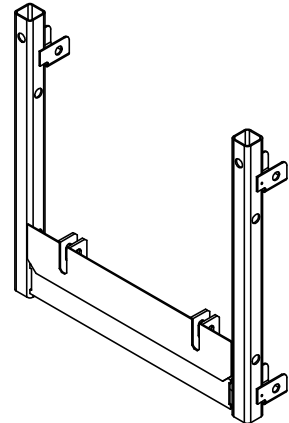
GUARDRAIL;KD MOD  
7100XX-XR



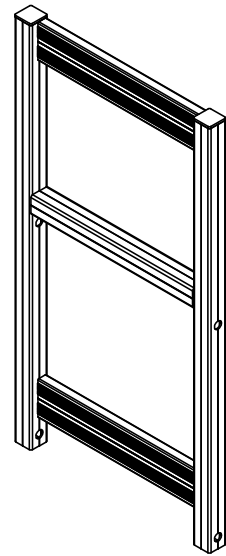
STIRRUP ASSY;WALK-THRU  
8-0234-1R  
WEIGHT: 132 LB



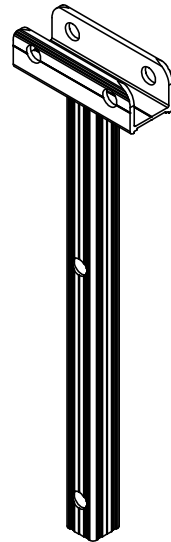
U-FRAME CONNECTOR;KD MOD  
709992-1R  
WEIGHT: 12 LB



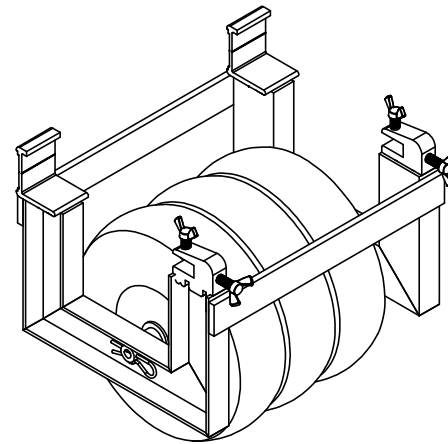
ENDFRAME WLDMNT;MODU  
702056-1R  
WEIGHT: 32 LB



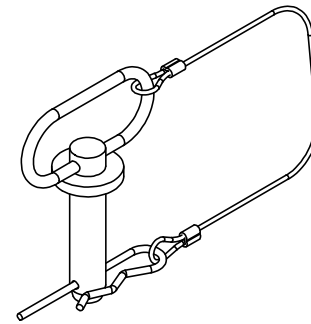
GUARDRAIL;END;KD MOD  
709991-1R  
WEIGHT: 15 LB



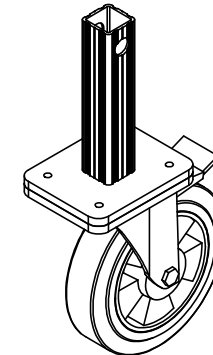
GUARDRAIL POST;KD MOD  
710024-1R  
WEIGHT: 2.5 LB




ROLLER BUMPER;KD MOD  
710025-1R  
WEIGHT: 13.5 LB



PIN;HITCH; 75x2.5;W/LANY  
702181-1R  
WEIGHT: 0.7 LB



CASTER ASSY;KD MOD  
710026-1R  
WEIGHT: 8.5 LB

A		8697-S		2017/NOV/09		TSM	LW
REV.	ECO	DATE	BY	CHK			
THIRD ANGLE PROJECTION	DRWING	DATE	TITLE				
TSM	JFA	2017/07/19	SPIDER KNOCKDOWN PLATFORM				
		DWG. NO.		REV			
<small>PROPRIETARY AND CONFIDENTIAL THIS DRAWING IS THE PROPERTY OF SPIDER INC. AND IS NOT TO BE COPIED OR REPRODUCED WITHOUT WRITTEN CONSENT OF SPIDER INC.</small>		721319		A			
SHEET SIZE	SCALE	SHEET	1 OF 1				
D	1:12	1					