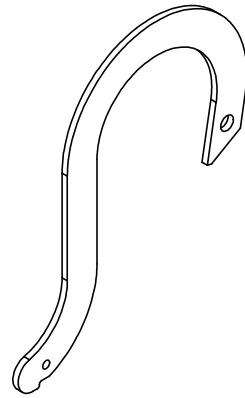
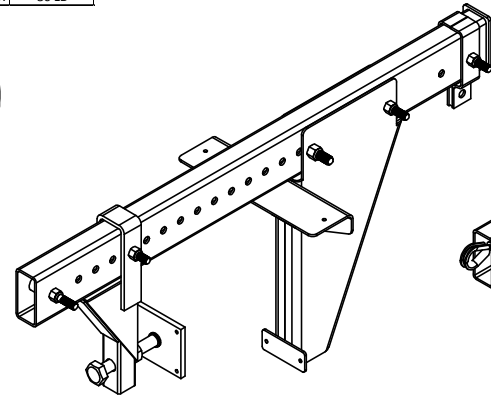


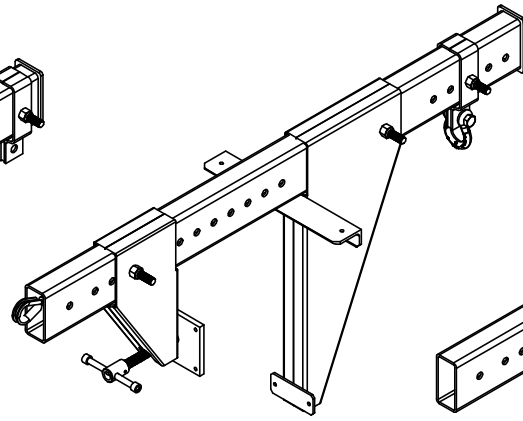
HOOK;PARAPET		APPROX. WT.
HOOK;PARAPET;13"	700770-1R	35 LB
HOOK;PARAPET;20"	700772-1R	44 LB
HOOK;PARAPET;27"	700773-1R	50 LB



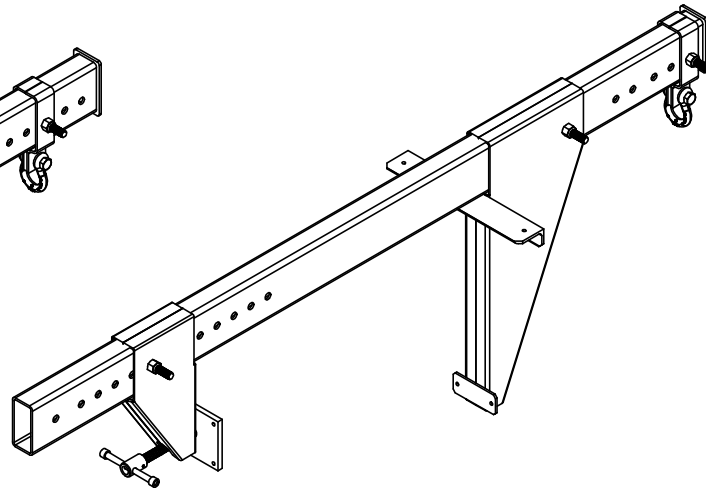
HOOK;PARAPET



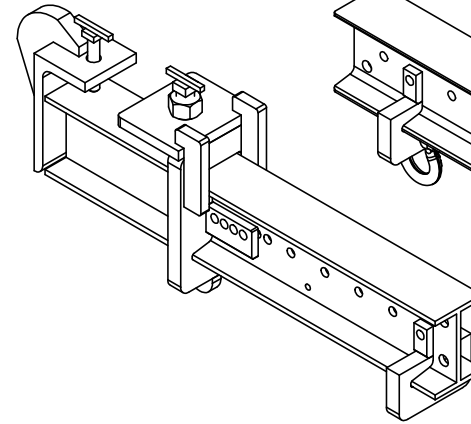
PARAPET CLAMP ASSY:ALUM;1000LB
9-92R
WEIGHT: 45 LB



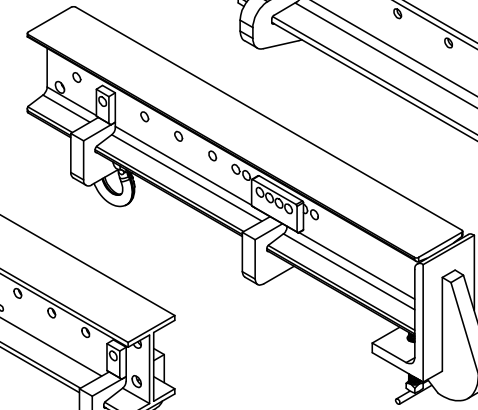
PARAPET CLAMP ASSY:STL;1500 LB
8-0044R
WEIGHT: 52 LB



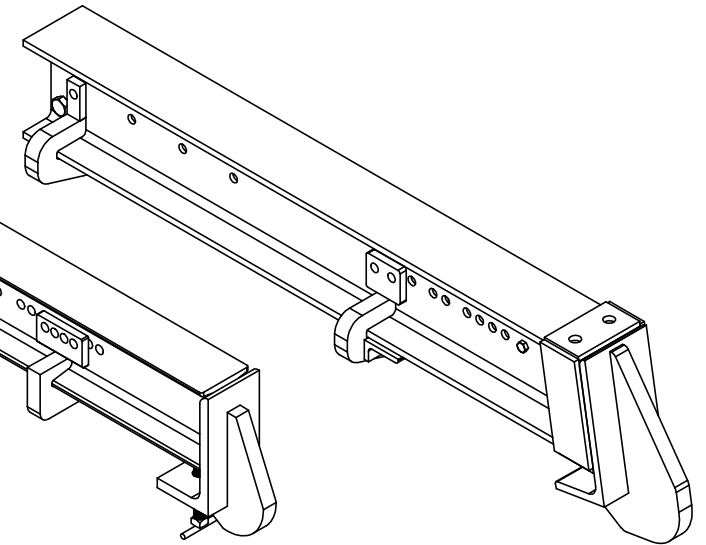
PARAPET CLAMP ASSY;1500LB;LONG
702396-1R
WEIGHT: 58 LB



BOTTOM FLANGE TRUSS OUTRIGGER
702554-1R
WEIGHT: 38 LB

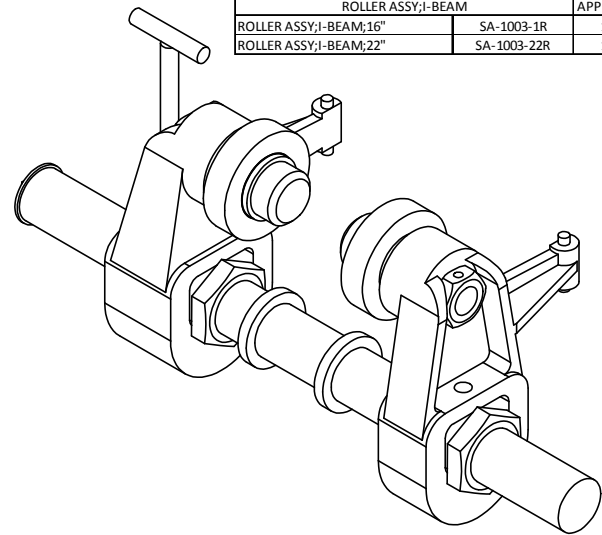


OUTRIGGER;TRUSS ASSEMBLY
SA-4474R
WEIGHT: 28 LB



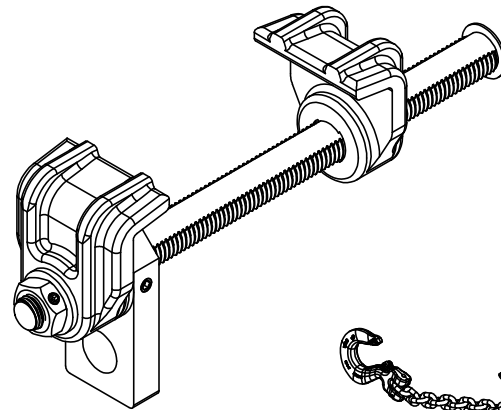
ASSY;HVY DUTY TRUSS OUTRIGGER
5019-01R
WEIGHT: 28 LB

ROLLER ASSY;I-BEAM		APPROX. WT.
ROLLER ASSY;I-BEAM;16"	SA-1003-1R	12 LB
ROLLER ASSY;I-BEAM;22"	SA-1003-22R	13 LB



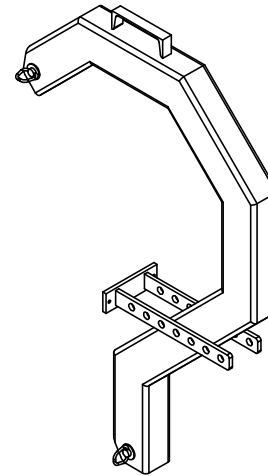
ROLLER ASSY;I-BEAM
SA-1003-XR

I-BEAM CLAMP ASSY		APPROX. WT.
I-BEAM CLAMP ASSY;8" ADJUSTBLE	SA-1039R	7 LB
I-BEAM CLAMP ASSY;13-1/2" ADJ	SA-1040R	8 LB

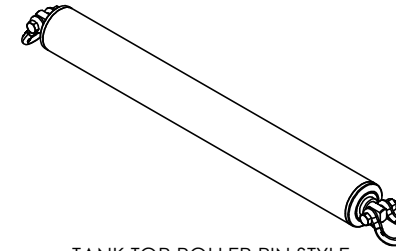


I-BEAM CLAMP ASSY

HOOK;CORNIC		APPROX. WT.
HOOK;CORNIC;12";W/O BRACKET	700558-12-1R	30 LB
HOOK;CORNIC;12";W BRACKET	700558-12-2R	36 LB
HOOK;CORNIC;21";W/O BRACKET	700558-21-1R	46 LB
HOOK;CORNIC;21";W BRACKET	700558-21-2R	52 LB

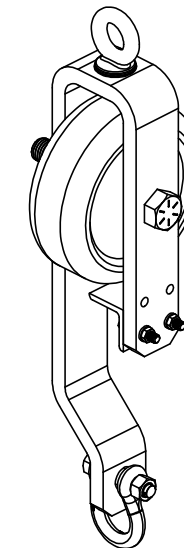


HOOK;CORNIC
700558-XX-XR

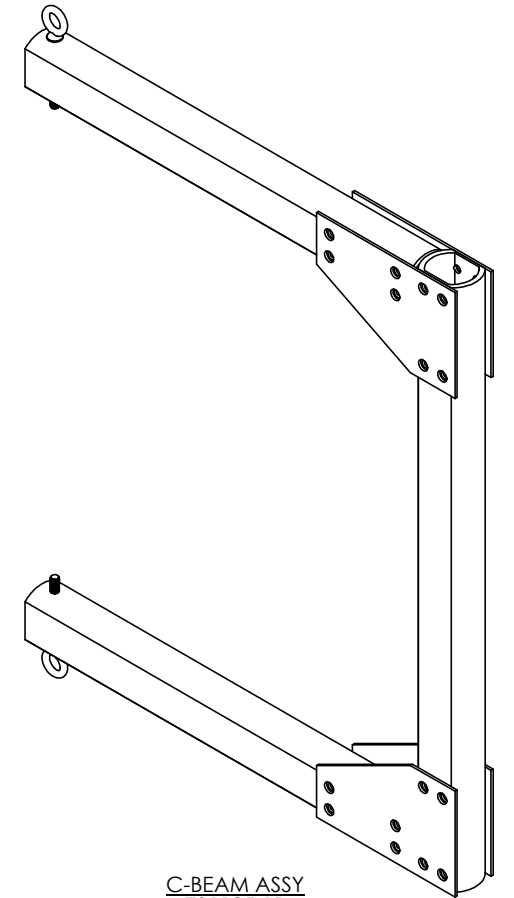


TANK TOP ROLLER;PIN STYLE
700525-1R
WEIGHT: 46 LB

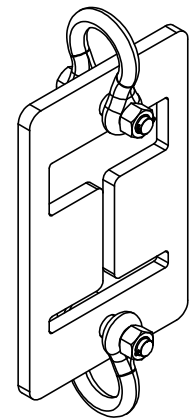
RING GIRDER ROLLER		APPROX. WT.
RING GIRDER ROLLER 8"	4963-01R	31 LB
RING GIRDER ASSY;PLASTIC 3.5"	4963-02R	26 LB
ROLLER ASSY RING;STEEL	4963-03R	26 LB



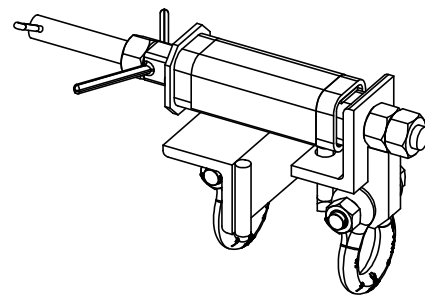
RING GIRDER ROLLER
4963-XR



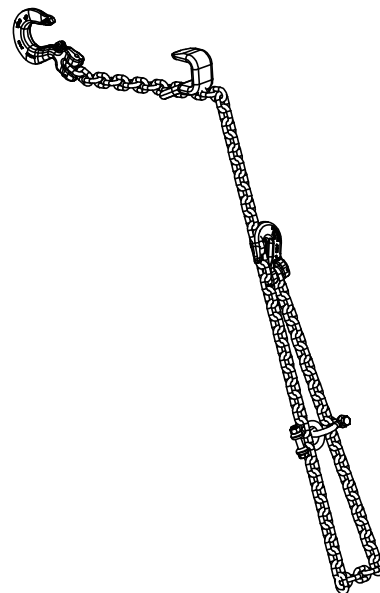
C-BEAM ASSY
701135-1R
WEIGHT: 134 LB



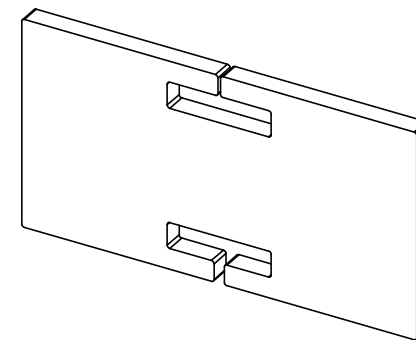
H-PLATE ASSEMBLY
701881-1R
WEIGHT: 12 LB



TANK EDGE CLAMP ASSEMBLY
705771-1R
WEIGHT: 13 LB



CHAIN;TRANSFER
SA-1002R
WEIGHT: 8 LB



COUNTERWEIGHT;50#
SA-10843R
WEIGHT 50 LB

A	8697-S	2017/NOV/09	TSM	LW
REV.	ECO	DATE	BY	CHK
THIRD ANGLE PROJECTION	DRWNG TSM	DATE 2017/07/11	TITLE RIGGING	
		DWG. NO. 721285	REV A	
<small>PROPRIETARY AND CONFIDENTIAL THIS DRAWING IS THE PROPERTY OF SPIDER INC. AND IS NOT TO BE COPIED OR REPRODUCED WITHOUT WRITTEN CONSENT OF SPIDER INC.</small>		SHEET 1 OF 1		