

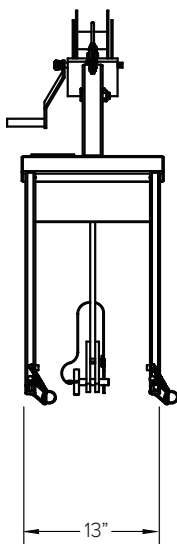
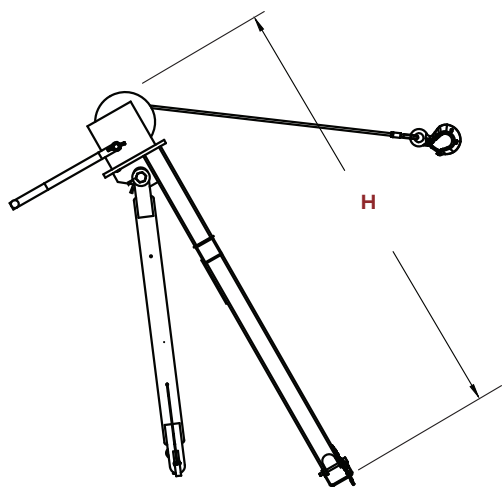
Erection Winch for Portable Davit

723467-1 & 723949-1



Description

The erection winch is used to raise the davit to an upright position as well as safely lower the davit during the removal process. The winch is temporarily installed on the socket with the hook latched to the davit mast. One winch can be used for multiple davits.



723467-1 Winch lifting davit into position.

Part Number	723467-1	723949-1
Weight	28 lb	21 lb
Dimensions	Height (H): 62 in	Height (H): 37 in
Winch Brake	Safety brake included	
Material	Body: Steel	
Compatible Davits	All other 723113-xxxx-xxx-xxx combinations	723113-xxxx-78-98 723113-xxxx-102-98 723113-xxxx-102-104 723113-xxxx-102-110
Compliance	Conforms with OSHA 1910.66, CAL/OSHA title 8, ASME A120.1-2014. Conforms with NYSDOL advisory standard 101.	

Spider® is a division of SafeWorks, LLC. This data sheet and all reproductions are the property of SafeWorks, LLC including all information contained herein and any information derived from this data sheet. Users are solely responsible for the safe and proper use of all products or any derivative products. This data sheet is only intended for illustrative purposes and should not be relied upon in place of an operating manual or a competent user trained to properly use the products depicted. All dimensions and figures shown are for general information only and should be confirmed and permission obtained from SafeWorks LLC before being used for design or construction purposes. All information is subject to change without notice. SafeWorks LLC disclaims all liability from any use or misuse of the information contained herein.