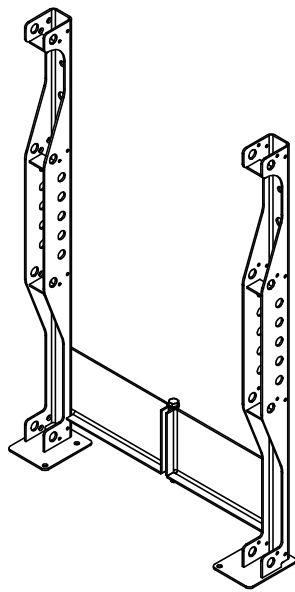
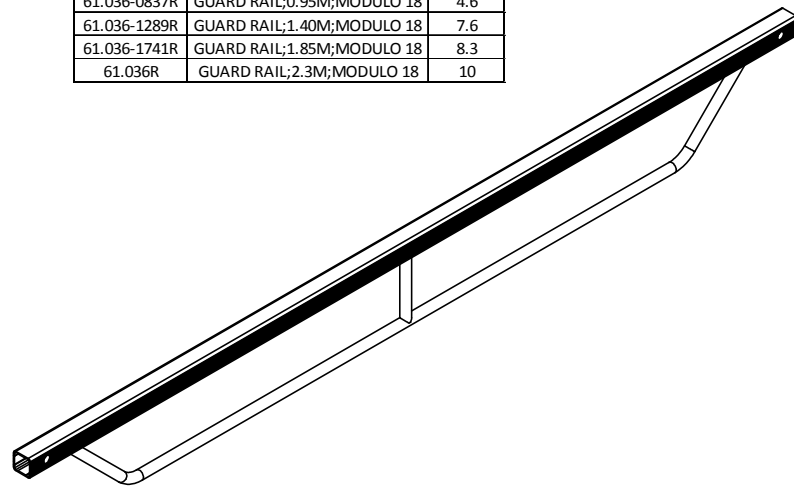


STIRRUP;MODULO 18  
61.087-03R  
WEIGHT: 22 LB

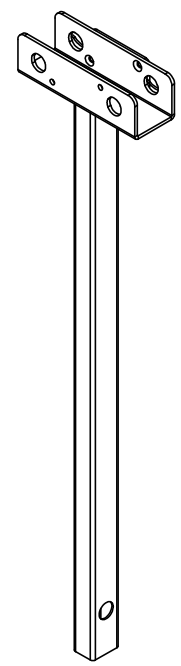


ENDFRAME;MODULO 18  
61.040-05R  
WEIGHT: 38 LB

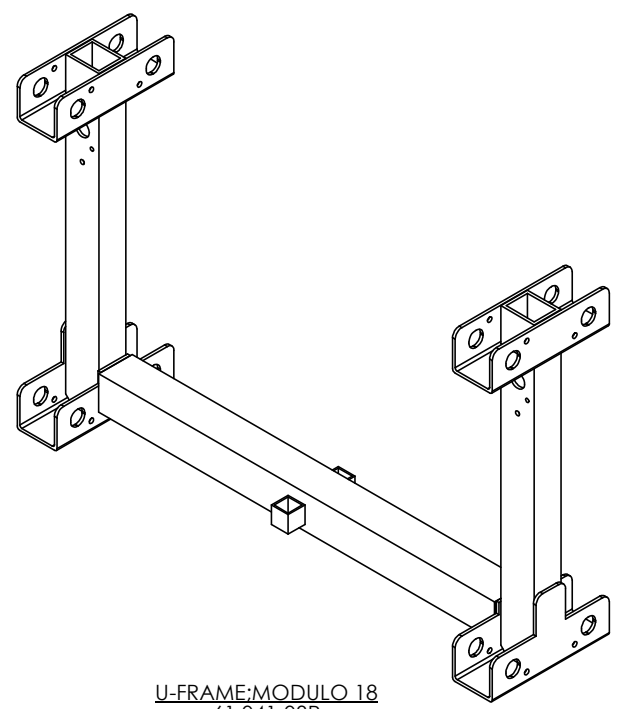
P/N	DESCRIPTION	WEIGHT
61.036-0837R	GUARD RAIL;0.95M;MODULO 18	4.6
61.036-1289R	GUARD RAIL;1.40M;MODULO 18	7.6
61.036-1741R	GUARD RAIL;1.85M;MODULO 18	8.3
61.036R	GUARD RAIL;2.3M;MODULO 18	10



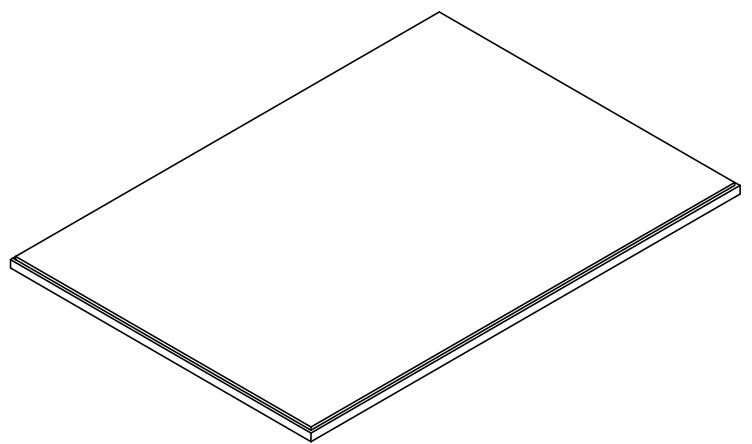
GUARD RAIL;MODULO 18  
61.036-XXXXR



GUARD RAIL;POST;MODULO 18  
61.037R  
WEIGHT: 7.4 LB

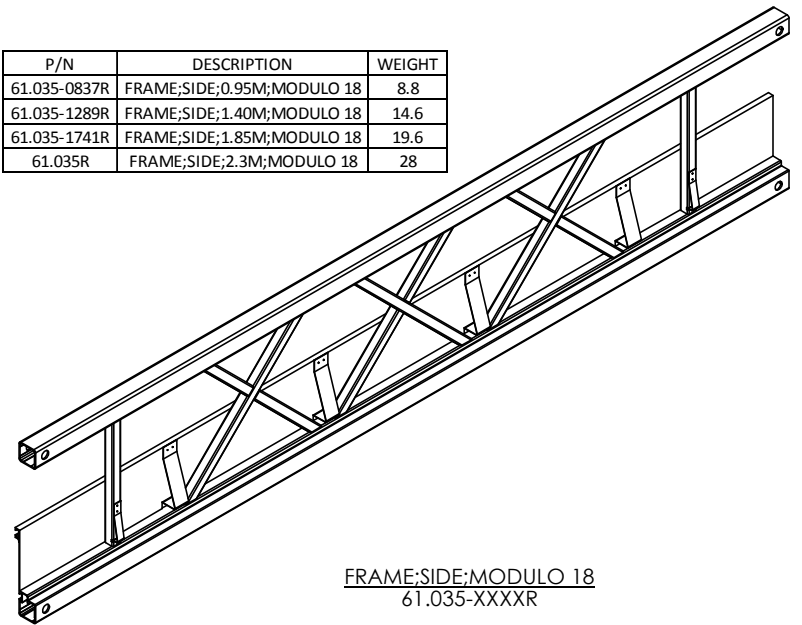


U-FRAME;MODULO 18  
61.041-03R  
WEIGHT: 27 LB

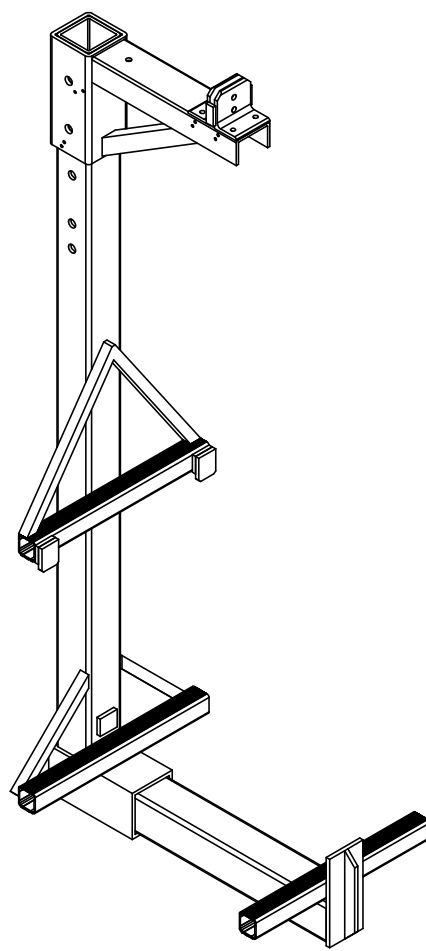


DECK;0.45M;MODULO 18  
61.081R  
WEIGHT: 5.8 LB

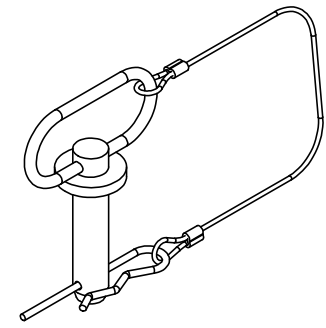
P/N	DESCRIPTION	WEIGHT
61.035-0837R	FRAME;SIDE;0.95M;MODULO 18	8.8
61.035-1289R	FRAME;SIDE;1.40M;MODULO 18	14.6
61.035-1741R	FRAME;SIDE;1.85M;MODULO 18	19.6
61.035R	FRAME;SIDE;2.3M;MODULO 18	28



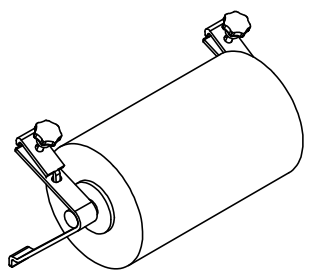
FRAME;SIDE;MODULO 18  
61.035-XXXXR



STIRRUP;WALK-THRU;MODULO 18  
61.060-01R



PIN;HITCH;.75x2.5;W/LANY  
702181-1R  
WEIGHT: 0.7 LB



WALL ROLLER W/BACKET;MODULO  
61.046R  
WEIGHT: 5 LB

A		8697-S		2017/NOV/09		TSM	LW
REV.		ECO		DATE		BY	CHK
THIRD ANGLE PROJECTION	FRAMING	DATE	TITLE				
	TSM	2017/07/19	MODULO 18				
<small>PROPRIETARY AND CONFIDENTIAL THIS DRAWING IS THE PROPERTY OF SPIDER INC. AND IS NOT TO BE COPIED OR REPRODUCED WITHOUT WRITTEN CONSENT OF SPIDER INC.</small>					DWG. NO. 721283		REV A
SHEET SIZE	SCALE	SHEET	1 OF 1				
D	1:4	1					