

Bolt Down Socket

723561



Description

Sockets are used as the connection point from roof equipment to the davit. They can connect to pedestals or directly to the structure.

Part Number Logic

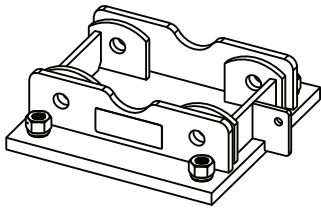
723561 - (X)

- Base Part Number _____
- 1: 1,000 lb Direct Connect Hardware
 - 2: 1,000 lb Pedestal Hardware
 - 3: 1,250 lb Direct Connect Hardware
 - 4: 1,250 lb Pedestal Hardware

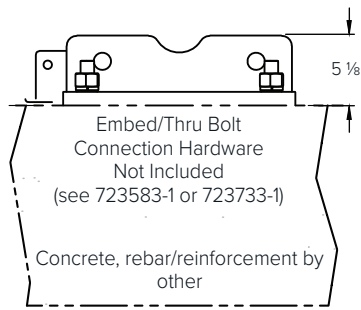
Part Number Example:

723561-1: 1,000 lb rated, Bolt down socket with Direct Connect Hardware

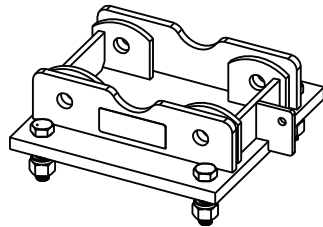
Embed/Thru Bolt Connection



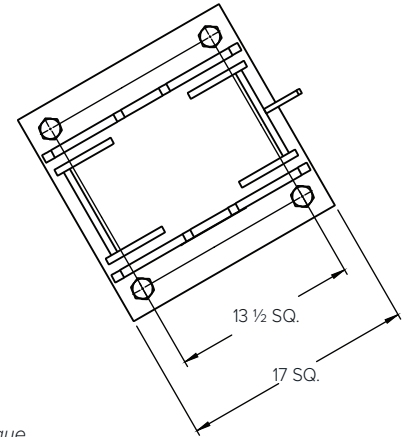
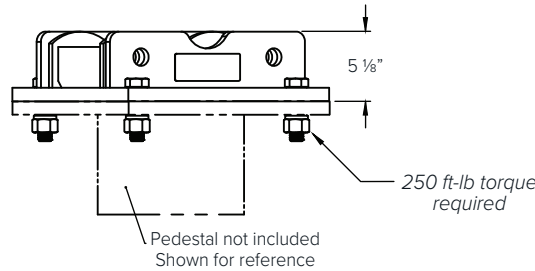
723561-1 shown above



Pedestal Connection



723561-2 shown above



Part Number	723561-1 & 723561-3	723561-2 & 723561-4
Function	Connect Directly to Structure	Bolt to Existing Pedestal
Dimensions	Length and Width: 17" Height: 5 1/8" <small>*Contact Spider for slab thickness over 12"</small>	
Material	Plates: ASTM A572 Steel GR50 and ASTM A36 Steel Hot Dipped Galvanized (ASTM A123) Hardware: Stainless Steel A193 GR B8 Bolts, ASTM F594 Nuts, 1-8 UNC	
Compatible with	723583-1 Embed Assembly 723733-1 Thru Bolt Assembly	723734-X-XX-XX Pedestals 723735-XX Pedestals
Compliance	Welding by AWS certified welders to AWS standards. Conforms with OSHA 1910.66, CAL/OSHA title 8, ASME A120.1-2014. Conforms with NYSDOL Advisory Standard 101. (with foam fill post field welding)	

Spider® is a division of SafeWorks, LLC. This data sheet and all reproductions are the property of SafeWorks, LLC including all information contained herein and any information derived from this data sheet. Users are solely responsible for the safe and proper use of all products or any derivative products. This data sheet is only intended for illustrative purposes and should not be relied upon in place of an operating manual or a competent user trained to properly use the products depicted. All dimensions and figures shown are for general information only and should be confirmed and permission obtained from SafeWorks LLC before being used for design or construction purposes. All information is subject to change without notice. SafeWorks LLC disclaims all liability from any use or misuse of the information contained herein.