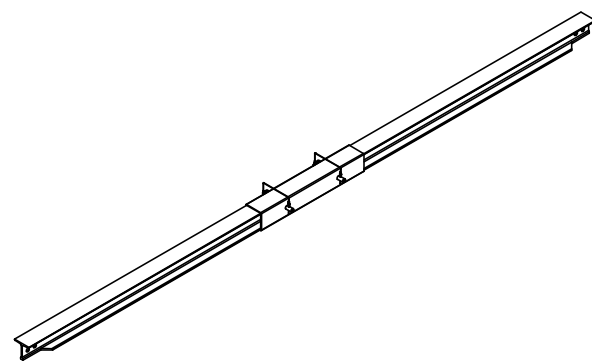
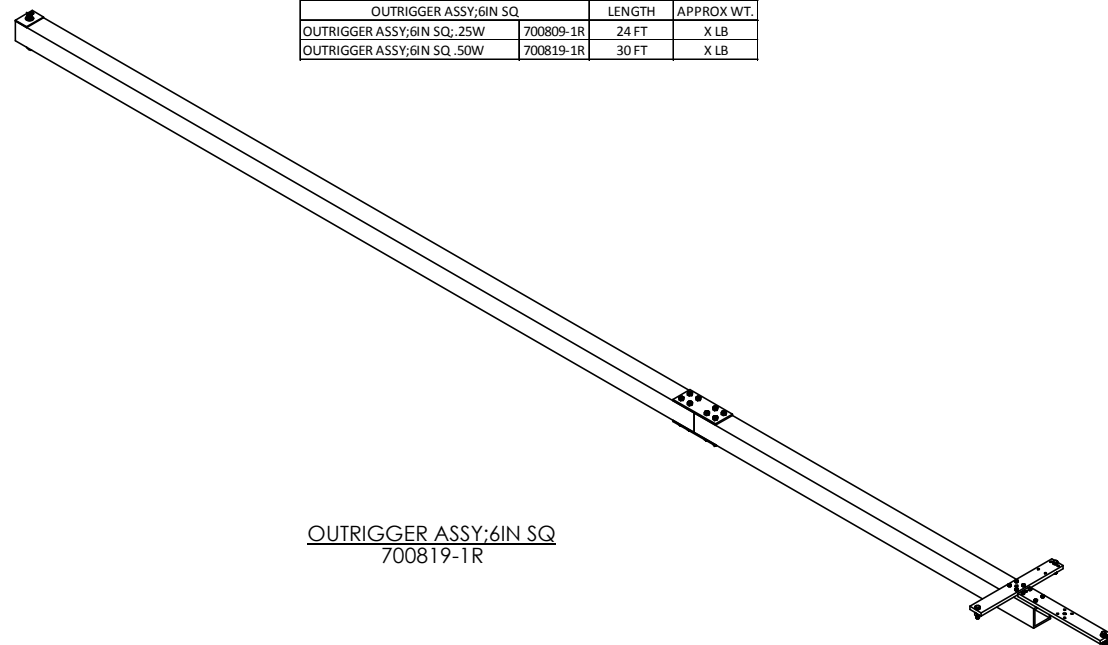


OUTRIGGER KIT;5X5		APPROX. WT.
OUTRIGGER KIT;12 FT;5X5	8-0217-12R	101 LB
OUTRIGGER KIT;16 FT;5X5	8-0217-6R	128 LB
OUTRIGGER KIT;22 FT;5X5	8-0217-7R	158 LB
OUTRIGGER KIT;25 FT;5X5	8-0217-5R	206 LB

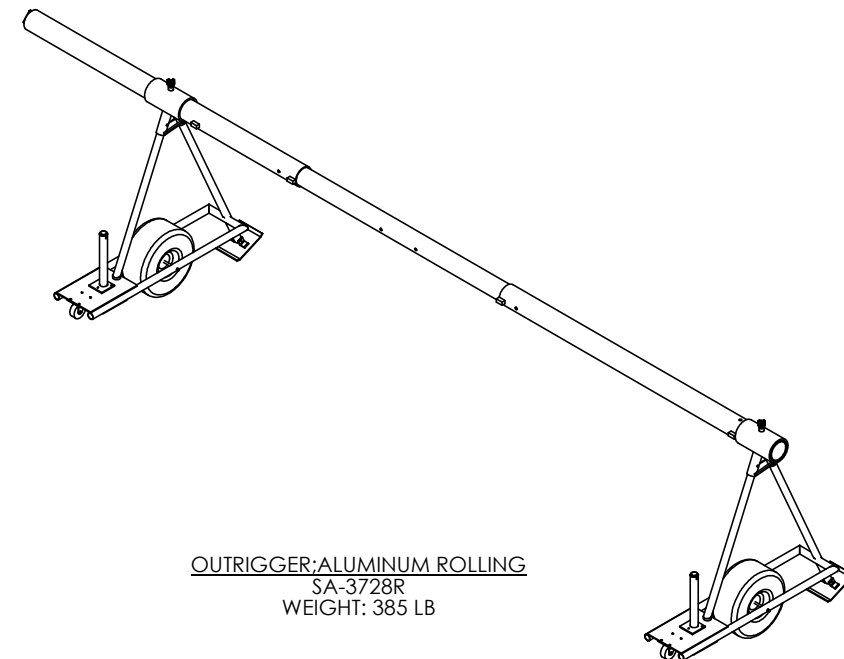
OUTRIGGER ASSY;6IN SQ	LENGTH	APPROX. WT.
OUTRIGGER ASSY;6IN SQ; 25W	700809-1R	24 FT X LB
OUTRIGGER ASSY;6IN SQ; 50W	700819-1R	30 FT X LB



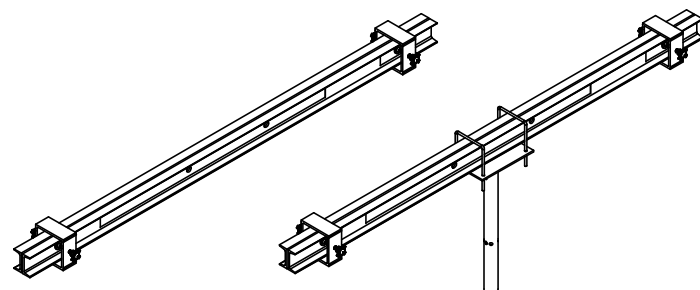
OUTRIGGER KIT;5X5  
8-0217-XR



OUTRIGGER ASSY;6IN SQ  
700819-1R

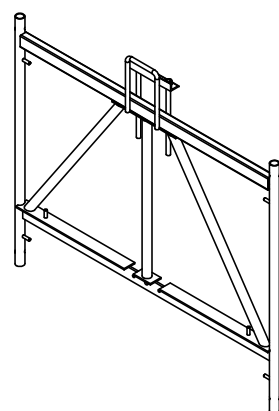


OUTRIGGER;ALUMINUM ROLLING  
SA-3728R  
WEIGHT: 385 LB

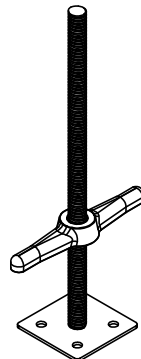


5X5 MAX REACH KIT  
704241-1R  
WEIGHT: -- LB

5X5 MAX REACH KIT; GANTRY  
704241-2R  
WEIGHT: -- LB

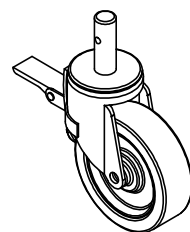


FRAME;OUTRIGGER;5 X 4  
A-11393R  
WEIGHT: 75 LB



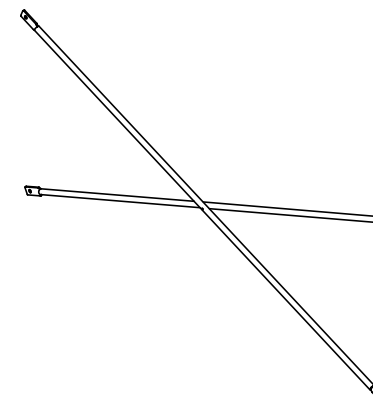
SCREW JACK;W/BASE PLATE  
A-11397R  
WEIGHT: 10 LB

CASTER;SCAFFOLD		APPROX. WT.
CASTER;8" W/STEM	A-11394R	16 LB
CASTER;12" W/STEM	A-11835R	24.5 LB



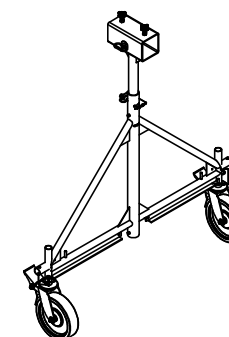
CASTER;SCAFFOLD  
A-11394R OR A-11835R

CROSS BRACE		APPROX. WT.
CROSS BRACE; 5 FT	A-11386R	10 LB
CROSS BRACE; 6 FT	A-11385R	11 LB
CROSS BRACE; 7 FT	A-11384R	11 LB
CROSS BRACE; 10 FT	A-11389R	15 LB
CROSS BRACE;12' X 4'	A-11395R	20 LB
CROSS BRACE;12' X 3'	A-11396R	18 LB

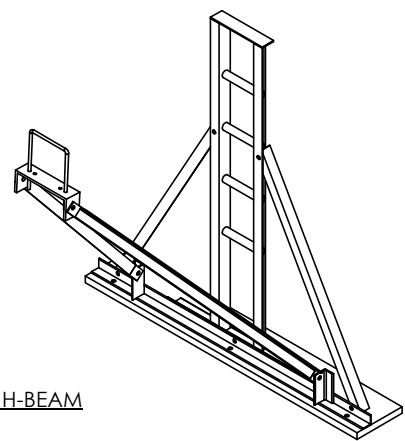


CROSS BRACE

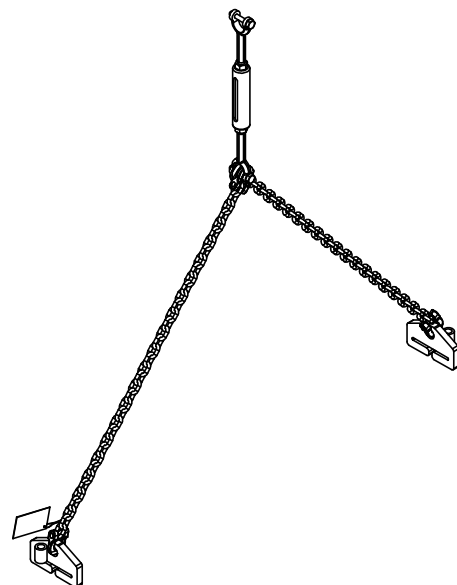
OUTRIGGER GANTRY ASSY;5X5		APPROX. WT.
OUTRIGGER GANTRY ASSY;5X5;ROLL	701960-1R	X LB
OUTRIGGER GANTRY ASSY;5X5;FIXD	701960-2R	X LB
OUTRIGGER GANTRY ASSY;MAX;FIXD	701960-5R	X LB



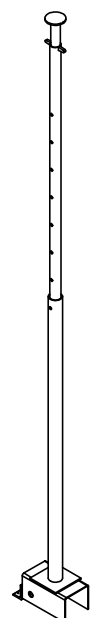
OUTRIGGER GANTRY ASSY;5X5  
701960-X



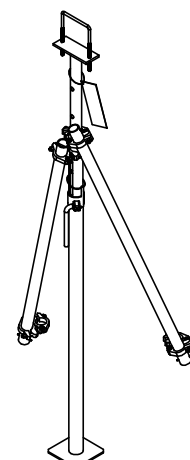
STAND;ADJUSTABLE OUTRIGGER  
1258-1R  
WEIGHT: 63 LB



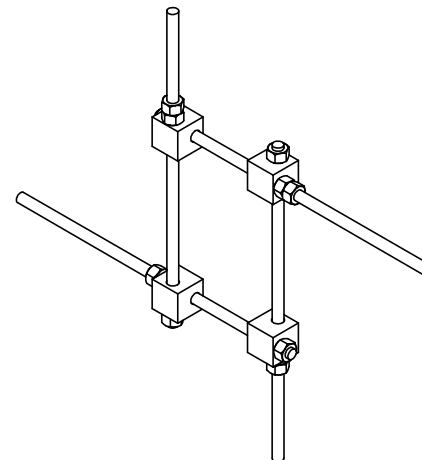
COUNTERWEIGHT SLING ASSEMBLY  
701878-1R  
WEIGHT: 8 LB



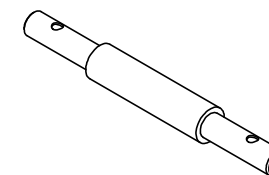
POST SHORE SYSTEM KIT  
704099-1R  
WEIGHT: X LB



CORNER SUPPORT ASSEMBLY  
701877-1R  
WEIGHT: 95 LB



BEAM TIE-DOWN ASSEMBLY  
702096-1R  
WEIGHT: 26 LB



PIN;COUPLING;EXTENDED COLLAR  
705599-1R  
WEIGHT: 2.6 LB



PIN;COUPLING;W/1" COLLAR  
A-11398R  
WEIGHT: 1 LB

WELDMENT;F SHAPE; 5X5 H-BEAM  
701112-1R  
WEIGHT: 4 LB

A	ECO	8697-S	2017/NOV/09	TSM	LW
REV.			DATE	BY	CHK
THIRD ANGLE PROJECTION	DRWNG	DATE	TITLE		
TSM	JFA	2017/07/11	OUTRIGGER BEAMS		
		DWG. NO.	REV		
		721284	A		
SHEET SIZE	SCALE	SHEET	OF 1		
D	1:24	1			