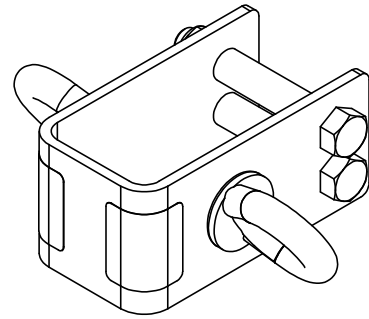
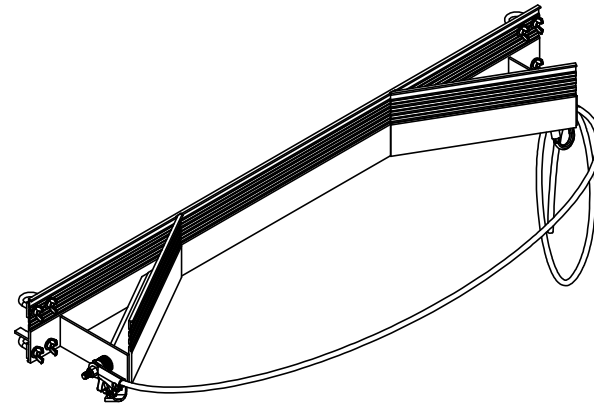


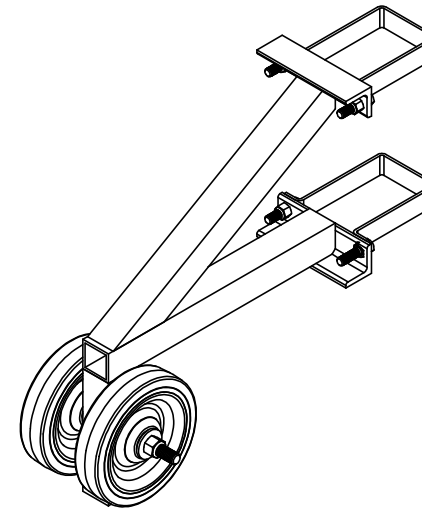
INLET ROLLER ASSY;WALKTHRU  
705575-1R  
WEIGHT: 10.2 LB



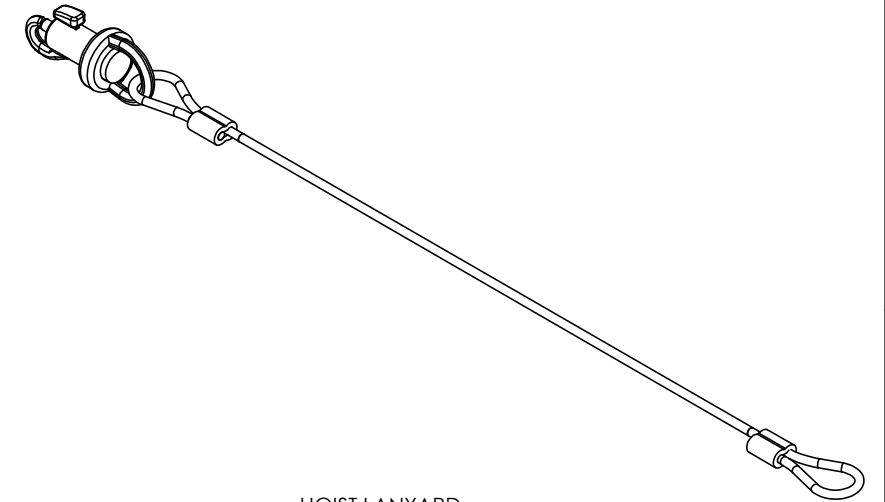
ANCHOR ASSY;SAFETYLINE;5FT BAP  
705465-1R  
WEIGHT: 6.6 LB



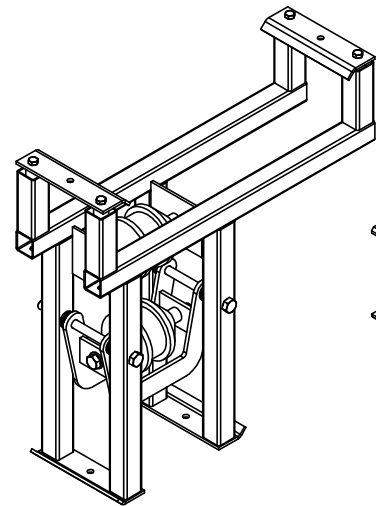
ROLLER BRACKET ASSY;5FT BAP  
705565-1R  
WEIGHT: 19.8 LB



KICKSTAND ASSY;5FT BAP  
705413-1R  
WEIGHT: 8.2 LB

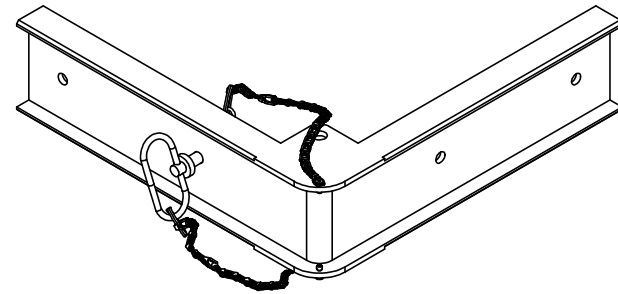


HOIST LANYARD  
705598-1R  
WEIGHT: 0.2 LB

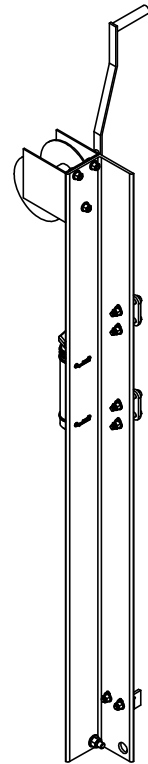


SUBFRAME MTG ASSY;BAP360  
706108-1R  
WEIGHT: 41.8 LB

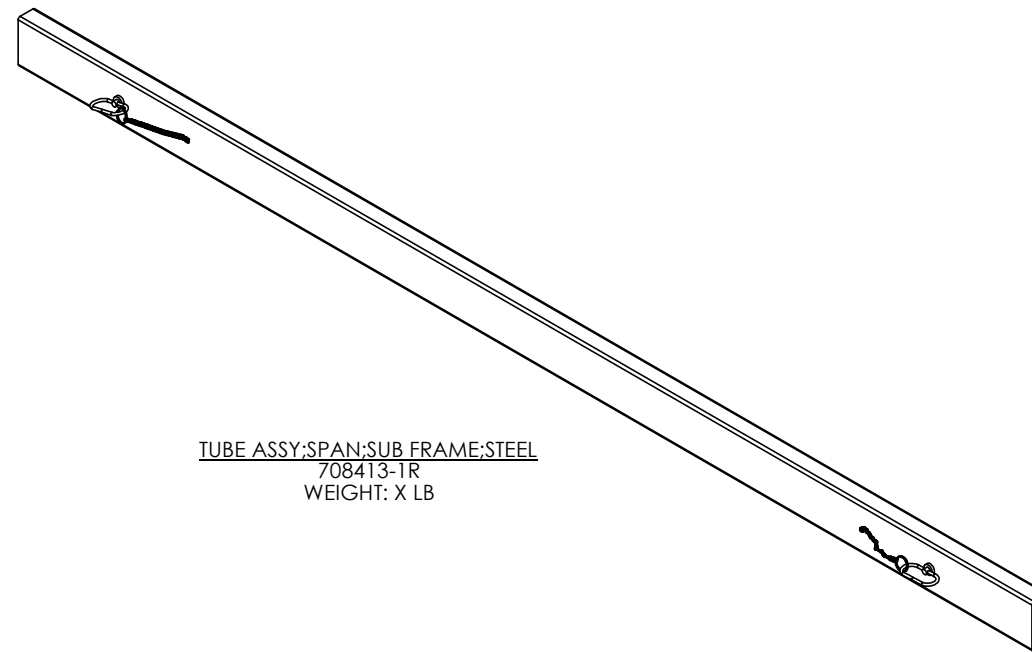
P/N	DESCRIPTION	WEIGHT
706802-1R	CORNER ASSY;SUBFRAME	7.2 LB
706802-2R	CORNER ASSY;SUBFRAME:XL	7.2 LB



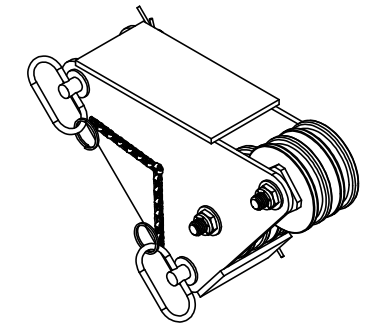
CORNER ASSY;SUBFRAME  
706802-XR



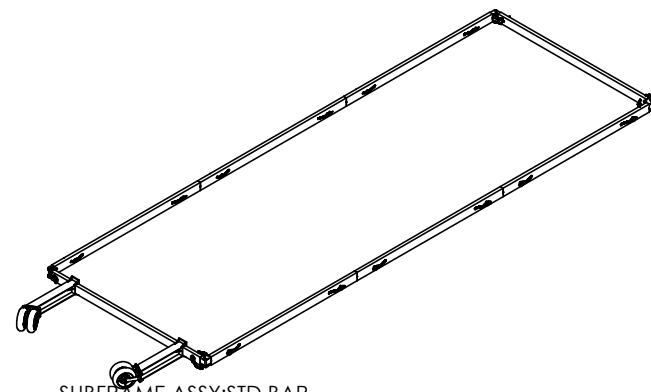
WINCH ASSY;BAP 360  
706803-1R  
WEIGHT: 21 LB



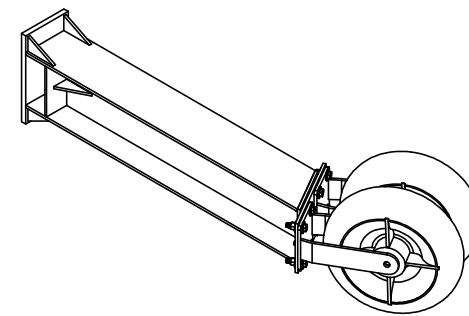
TUBE ASSY;SPAN;SUB FRAME;STEEL  
708413-1R  
WEIGHT: X LB



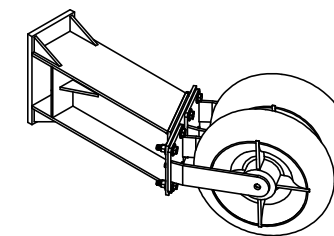
MAST HEAD ASSY;PASS THRU  
709194-1R  
WEIGHT: 17.5 LB



SUBFRAME ASSY;STD BAP  
709619-1R  
WEIGHT: 238 LB



CASTER ASSY 2.0;BAP  
720085-1R  
WEIGHT: 8 LB



CASTER ASSY 2.0;BAP;SHORT  
720086-1R  
WEIGHT: 8 LB

A		8697-S		2017/NOV/09		TSM	LW
REV.	ECO	DATE	BY	CHK			
THIRD ANGLE PROJECTION	DRWING	DATE	TITLE				
TSM	JFA	2017/07/19	BAP				
PROPRIETARY AND CONFIDENTIAL THIS DRAWING IS THE PROPERTY OF SPIDER, LLC AND IS NOT TO BE COPIED OR REPRODUCED WITHOUT WRITTEN CONSENT OF SPIDER, LLC				DWG. NO. 721320		REV A	
SHEET SIZE	D	SCALE	1:8	SHEET	1 OF 1		