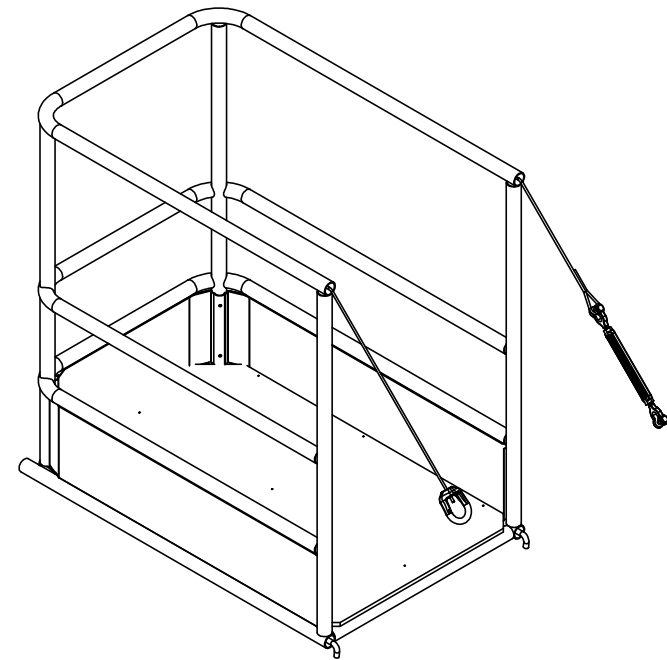
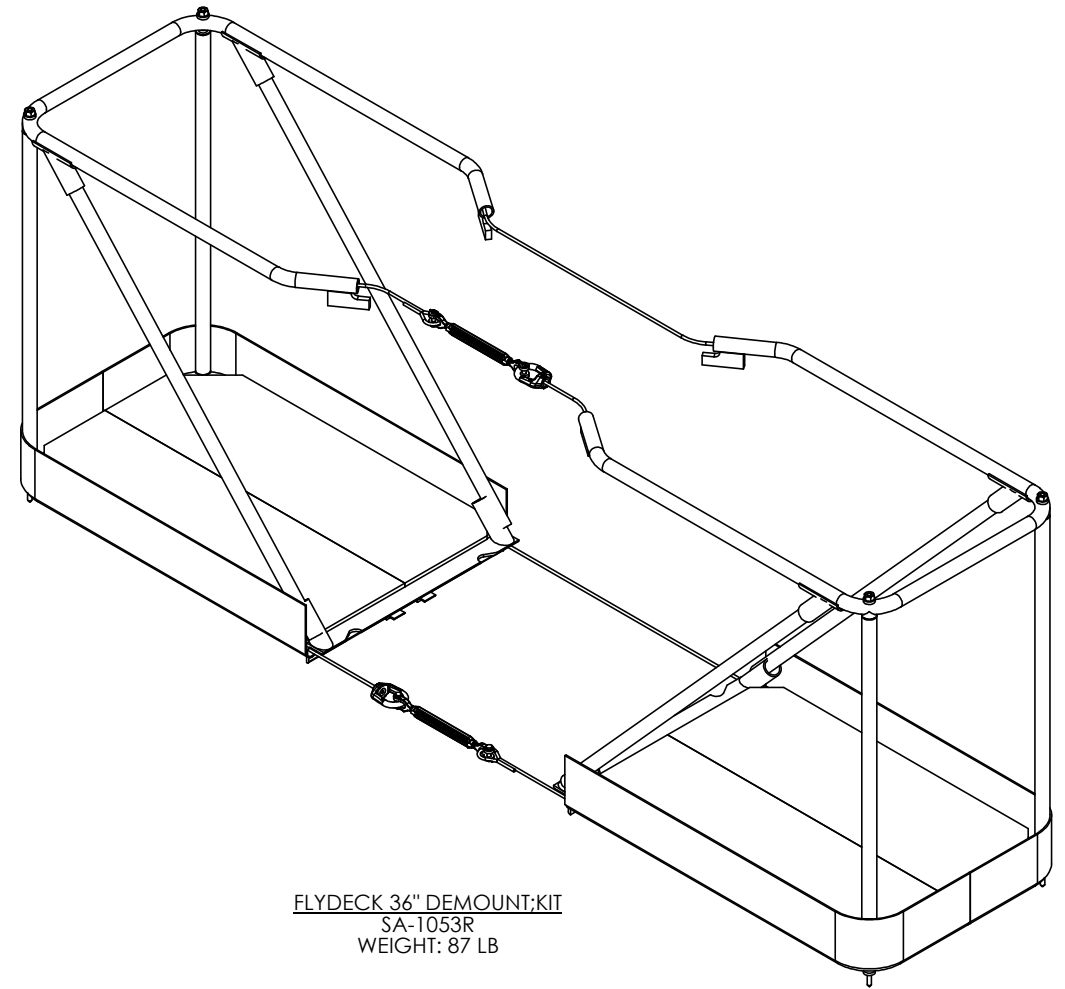


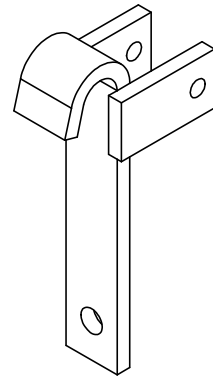
FLYDECK 24" KIT  
SA-1050R  
WEIGHT: 25 LB



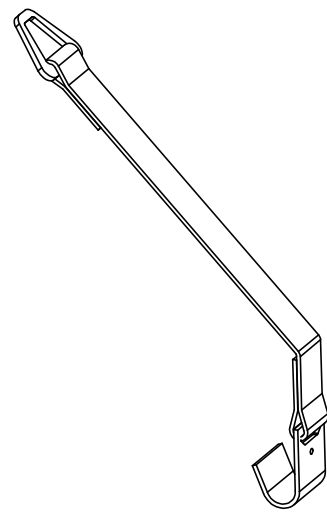
FLYDECK 36" KIT  
SA-1051R  
WEIGHT: 36 LB



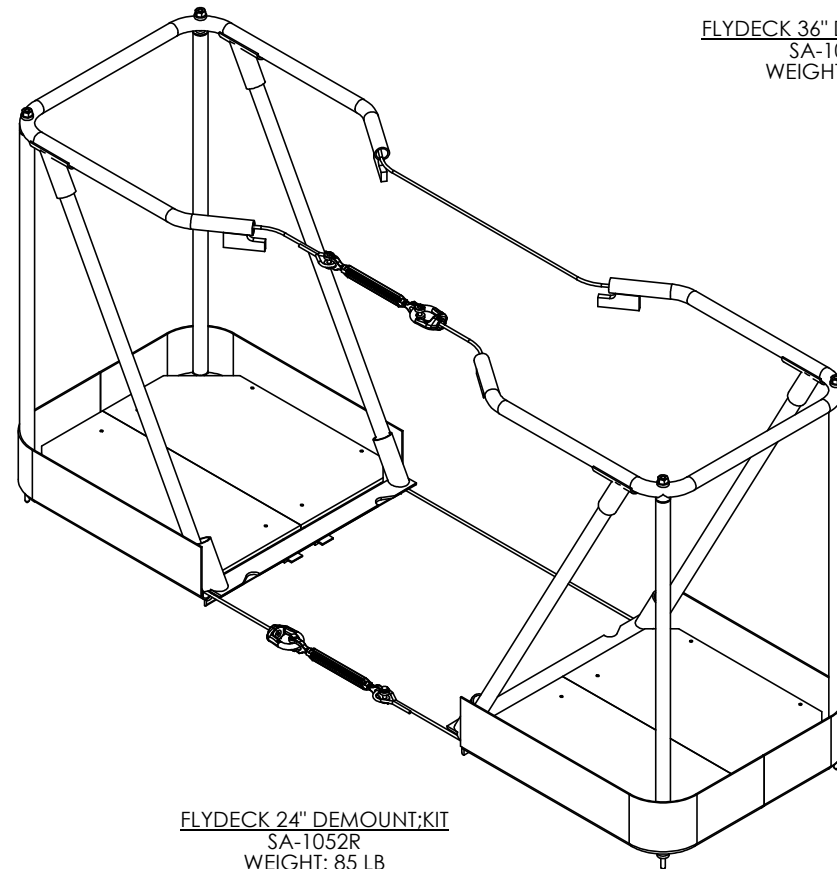
FLYDECK 36" DEMOUNT;KIT  
SA-1053R  
WEIGHT: 87 LB




FLYDECK HOOK  
10189S1R



FLYDECK STRAP  
10189S3R



FLYDECK 24" DEMOUNT;KIT  
SA-1052R  
WEIGHT: 85 LB

A	ECO	8697-S	2017/NOV/09	TSM	LW
REV.	ECO		DATE	BY	CHK
THIRD ANGLE PROJECTION	DRWNG TSM	ENG JEA	DATE 2017/07/11	TITLE FLYDECKS	
<small>PROPRIETARY AND CONFIDENTIAL THIS DRAWING IS THE PROPERTY OF SPIDER L.L.C. AND IS NOT TO BE COPIED OR REPRODUCED WITHOUT WRITTEN CONSENT OF SPIDER L.L.C.</small>				DWG. NO. 721287 SHEET SIZE: D SCALE: 1:8 SHEETS: 1 OF 1 REV. A	