

# Thru Bolt Assembly

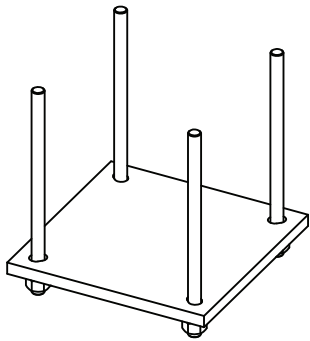
723733-1



## Description

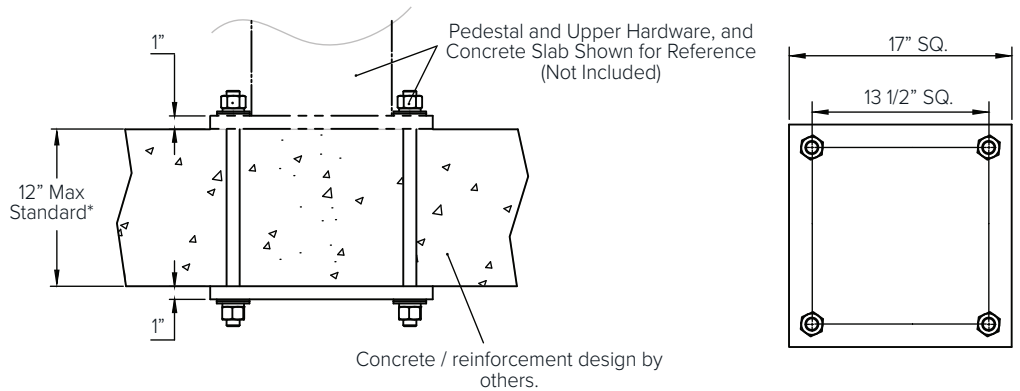
When bolting a pedestal/socket directly over a roof structure (concrete, wood, steel, etc), an engineered thru bolt assembly can achieve the strength to support a davit. Thru bolt assemblies are used after the roof has been completed and applies force on either side of the roof structure.\*

\*If roof structure has not been completed, consider using an embed assembly (723583-1)



723733-1  
shown above

Torque as required by project specifications.



Part Number	723733-1
Function	Sandwich Slab (Existing Concrete)
Load Rating	Up to 1,250 lb
Moment Rating	127,500 in-lb
Dimensions	Length and Width: 17"
Max Standard Depth	12" <small>*Contact Spider for non-standard over 12" slab thickness</small>
Material	<b>Plates:</b> ASTM A572 Steel GR50 Hot Dipped Galvanized (ASTM A123) <b>Threaded Rod:</b> 1-8 UNC ASTM F593 <b>Hardware:</b> Stainless Steel A193 GR B8 Bolts, ASTM F594 Nuts, 1-8 UNC
Compatible with	723734 bolt down pedestal 723737 bolt down mobile socket-pedestal 723657 bolt down socket-pedestal 723667 bolt down socket-pedestal 723561-1 & 723561-3 bolt down socket

Spider® is a division of SafeWorks, LLC. This data sheet and all reproductions are the property of SafeWorks, LLC including all information contained herein and any information derived from this data sheet. Users are solely responsible for the safe and proper use of all products or any derivative products. This data sheet is only intended for illustrative purposes and should not be relied upon in place of an operating manual or a competent user trained to properly use the products depicted. All dimensions and figures shown are for general information only and should be confirmed and permission obtained from SafeWorks LLC before being used for design or construction purposes. All information is subject to change without notice. SafeWorks LLC disclaims all liability from any use or misuse of the information contained herein.