

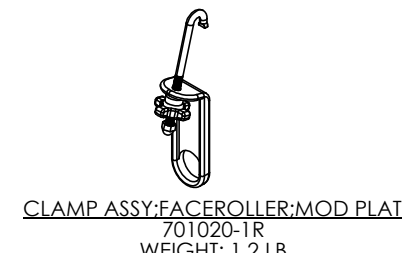
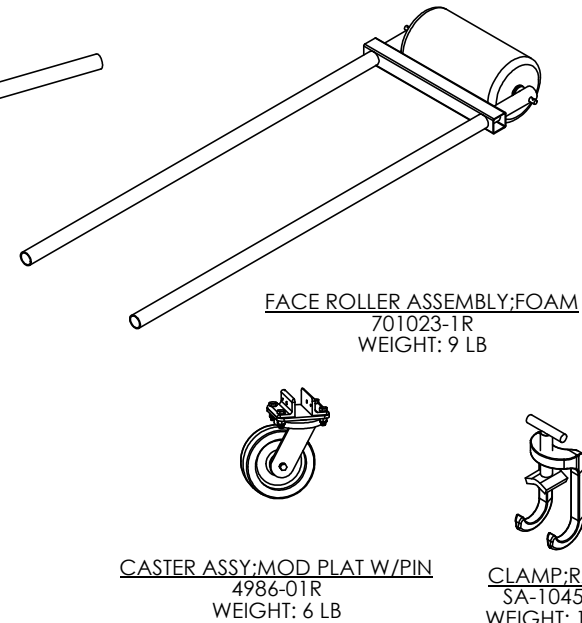
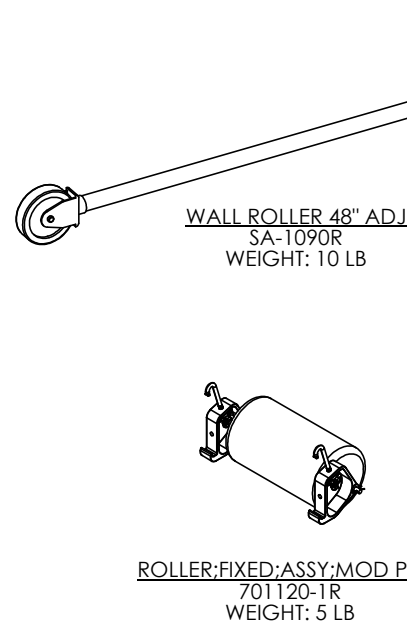
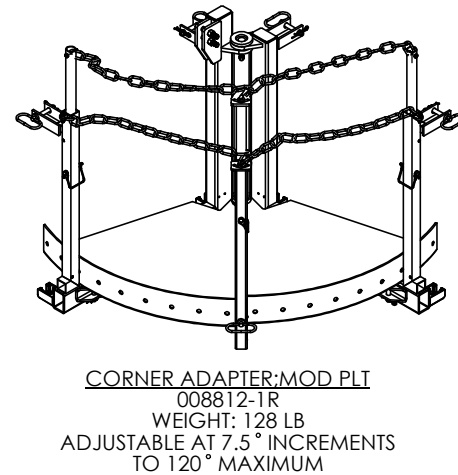
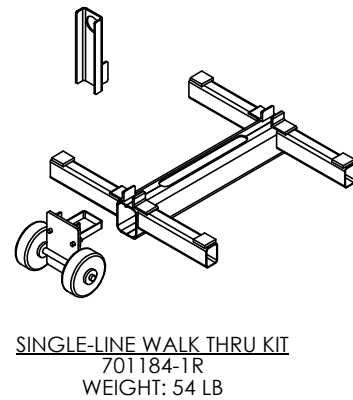
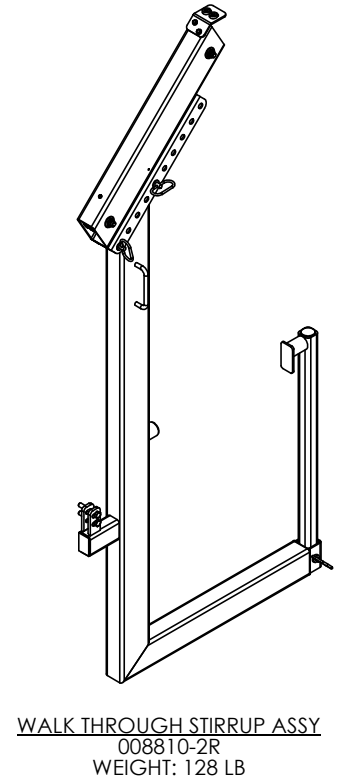
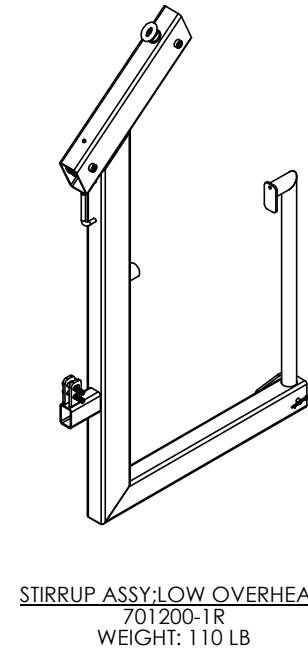
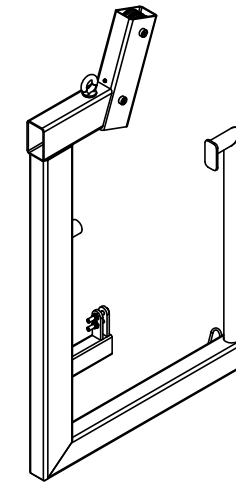
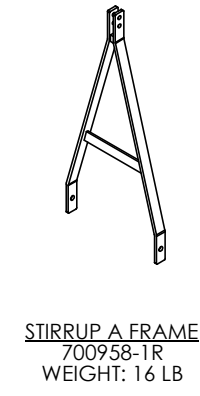
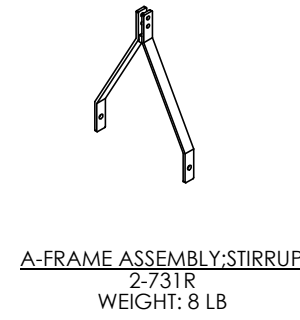
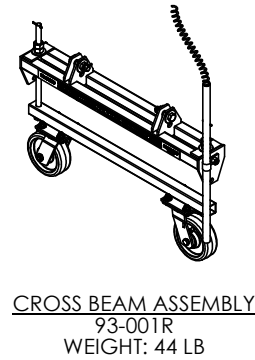
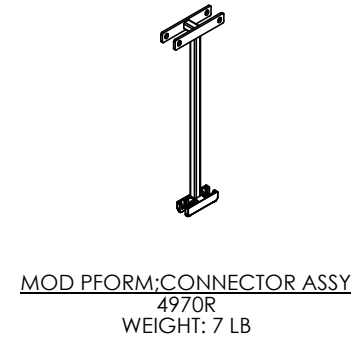
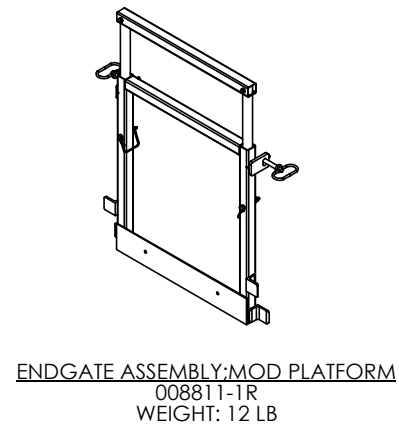
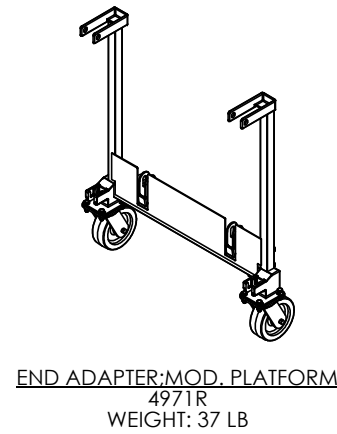
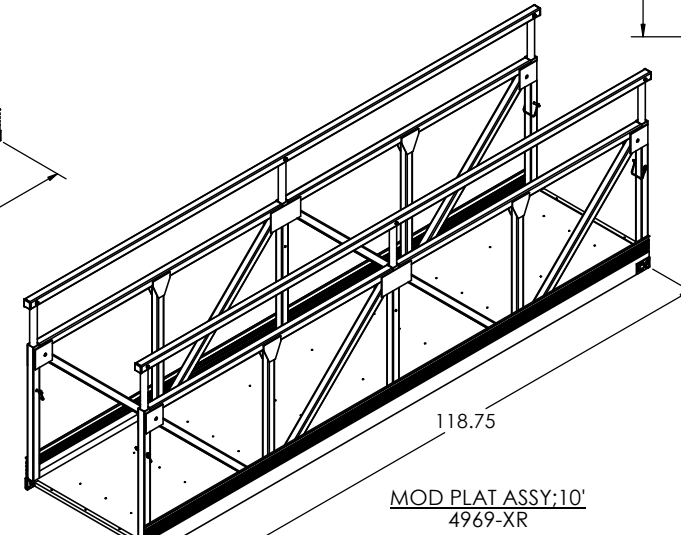
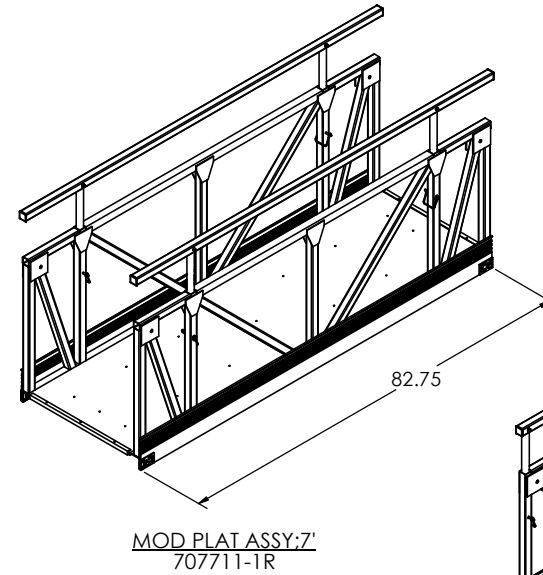
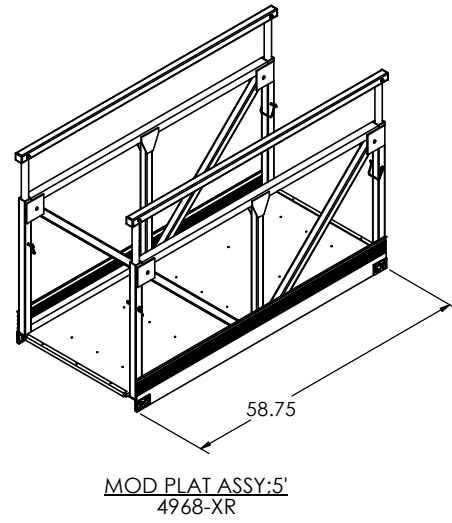
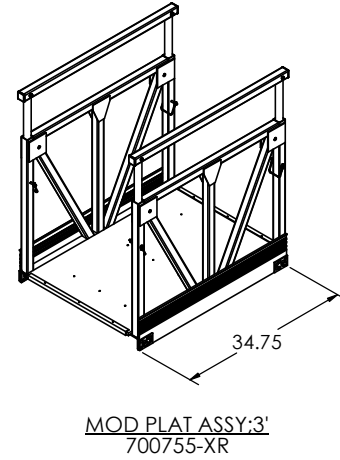
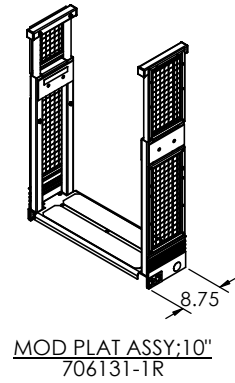
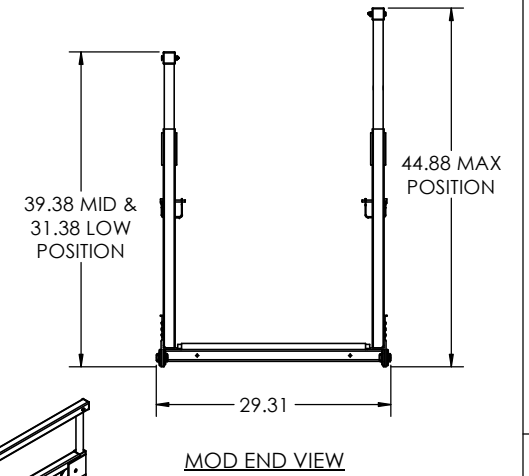
10" STANDARD PLATFORM ASSY		APPROX. WT.
10 INCH (METAL DECK)	706131-1R	25 LB

3' STANDARD PLATFORM ASSY		APPROX. WT.
WOOD DECK	700755-1R	55 LB
TRED GRIP DECK	700755-2R	57 LB
BAR GRATING DECK	700755-3R	58 LB
WOOD DECK W/ DOGLINE	700755-1-DLR	59 LB

5' STANDARD PLATFORM ASSY		APPROX. WT.
WOOD DECK	4968R	78 LB
TRED GRIP DECK	4968-2R	80 LB
BAR GRATING DECK	4968-3R	81 LB
WOOD DECK W/ DOGLINE	4968-DLR	83 LB

7' STANDARD PLATFORM ASSY		APPROX. WT.
WOOD DECK	707711-1R	106 LB

10' STANDARD PLATFORM ASSY		APPROX. WT.
WOOD DECK	4969R	142 LB
TRED GRIP DECK	4969-2R	148 LB
BAR GRATING DECK	4969-3R	148 LB
WOOD DECK W/ DOGLINE	4969-DLR	150 LB



A		8697-S		2017/NOV/09		TSM	JTA
REV.		ECO		DATE		BY	CHK
THIRD ANGLE PROJECTION		DRW	JTA	DATE	2017/06/16	TITLE	
		721280		DWG. NO.		REV	
<small>PROPRIETARY AND CONFIDENTIAL THIS DRAWING IS THE PROPERTY OF SPIDER, LLC. AND IS NOT TO BE COPIED OR REPRODUCED WITHOUT WRITTEN CONSENT OF SPIDER, LLC.</small>		D		SCALE 1:12		SHEET 1 OF 1	