

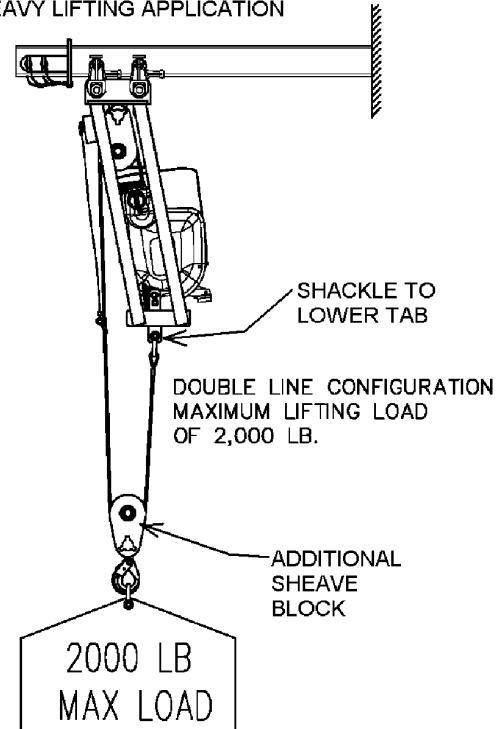
Material Handling Hoist Kit

Used for material lifting, capable of limitless height, the material hoist kit is a consistent, code-compliant method for using existing rental fleet hoists in material lifting applications.

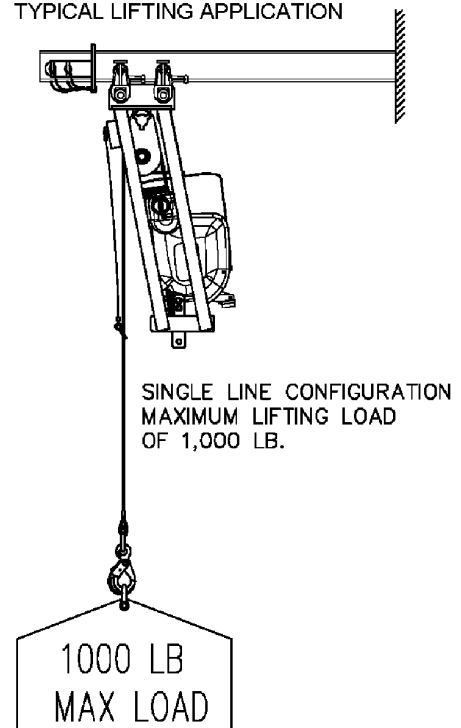
Key Features:

- System includes the material hoist frame assembly and the material hoist electrical set
- Trolley type or fixed connection
- Wire rope guide for trailing wire rope
- Upper limit switch
- Electrical set with emergency stop and power-loss reset
- Tagline connection
- Remote pendant control
- Various rigging methods
- End stop for 5 x 5 beam
- Standard equipment and method for material lifting applications
- Can be used for stand-alone applications or in combination with stage applications
- Used with SC1000/SC1500, ZMAC/1000® and other brand electric traction hoists.
- Allows use of traction hoists with no modifications to the hoists, no disabling of safety features or relabeling required.
- Complies with OSHA 1926.552, ANSI A10.5 and ASME B30.16
- Patent Pending

HEAVY LIFTING APPLICATION



TYPICAL LIFTING APPLICATION



Specifications:

Capacity: 1,000 lb (453.6 kg) or 2,000 lb (907.2 kg)

Speed: 35 ft/min (10.7 m/min) for 1,000 lb (453.6 kg) capacity
17.5 ft/min (5.3 m/min) for 2,000 lb (907.2 kg) capacity

Frame Weight: 39 lb (17.7 kg)

System Components:

702058-2 Material Hoist Kit Frame

702064-1 Material Hoist Electrical Set

702067-1 End Stop Assembly

8-0278* Adapter, Hoist 90 Degree, Fasteners included

702062-1** Limit Switch, Material Hoist

702070-1** Sheave Tailboard Block

*If using ZMAC/1000® hoist

**If using in Heavy Lifting Application

See our Insulation and Welding Accessories on page 135.

Why Does Code Compliance Matter?

OSHA 1926.552(b)8 requires “All material hoists shall conform to the requirements of ANSI A10.5, Safety Requirements for Material Hoists.”

ANSI A10.5 Sect 15.24 requires a power failure disconnect that automatically disconnects all motors from line upon power failure and does not permit any motor to be restarted until manually reset.

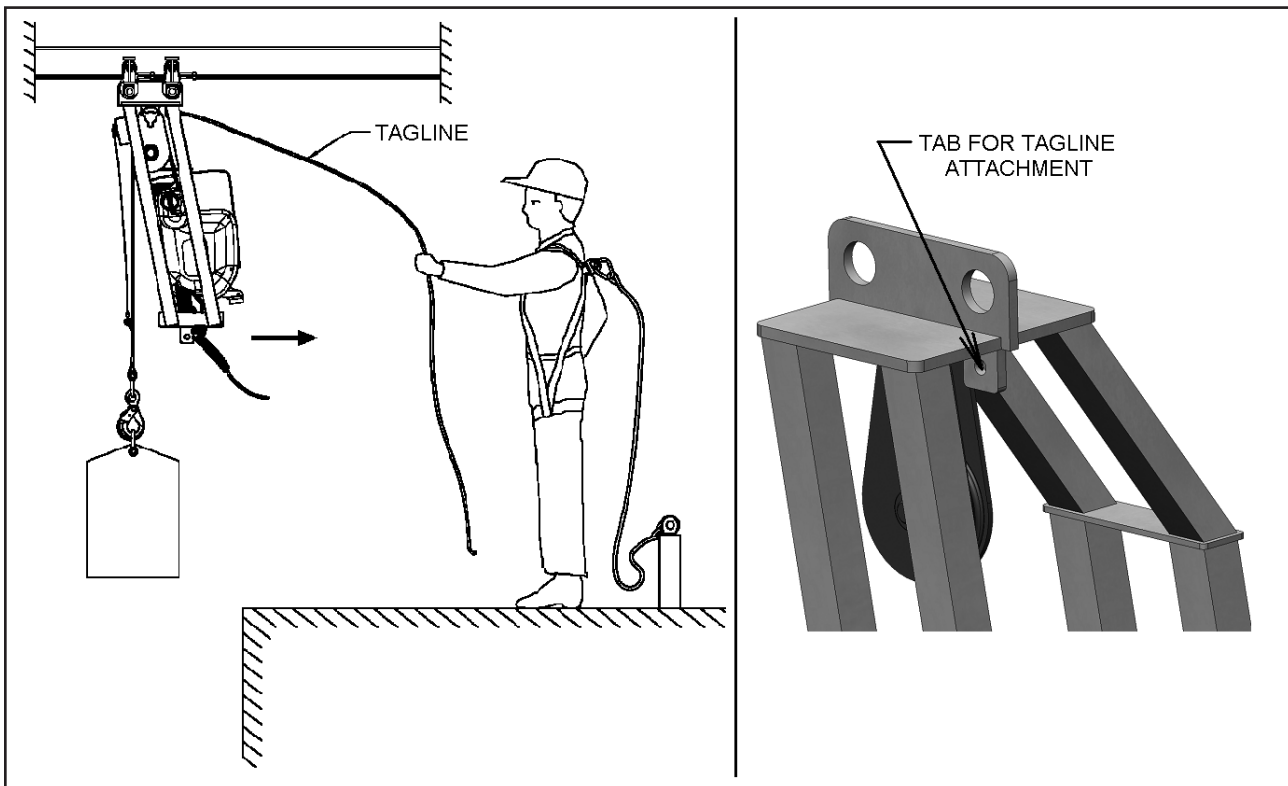
✓ Satisfied by the power-loss reset switch on the electrical set. This prevents the hoist from inadvertently beginning running if power is restored unexpectedly.

ANSI A10.5 Sect 19.1 requires a position indicator, defined as positive system, to indicate when load has reached specific position.

✓ Satisfied by upper limit switch. This prevents load from being inadvertently run up into the bottom of the hoist.

ANSI A10.5 Sect 20.4 requires an emergency electrical cutoff– a means within reach of the operator to cut off the electrical power to the hoist.

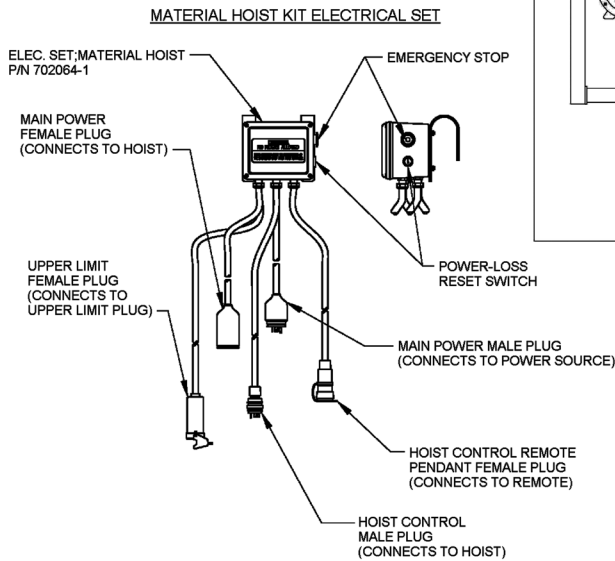
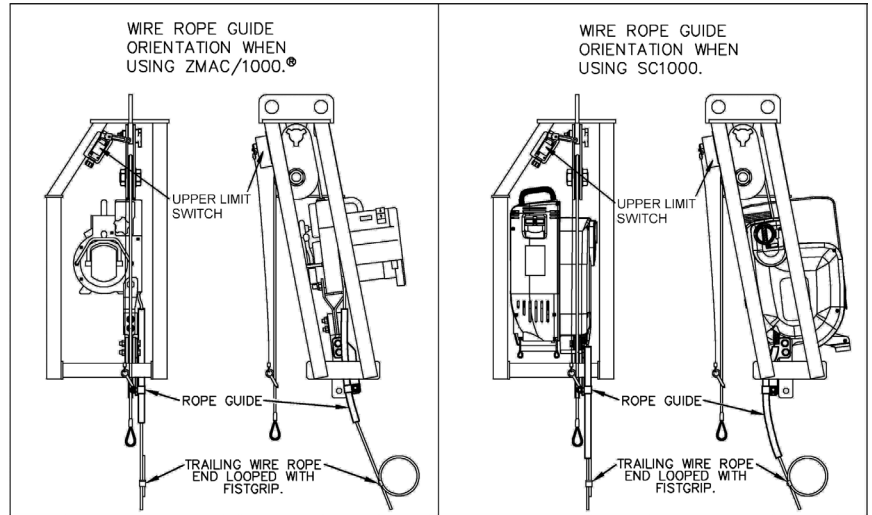
✓ Satisfied by Emergency Stop (E-Stop) on the electrical set. In the case of a hoist malfunction, the operator can cut off source power to the hoist quickly.



*For more Spider material handling projects,
contact your Spider professional*

Material Handling Hoist Kit

(continued)



Typical Material Hoist Configuration Set-Up

