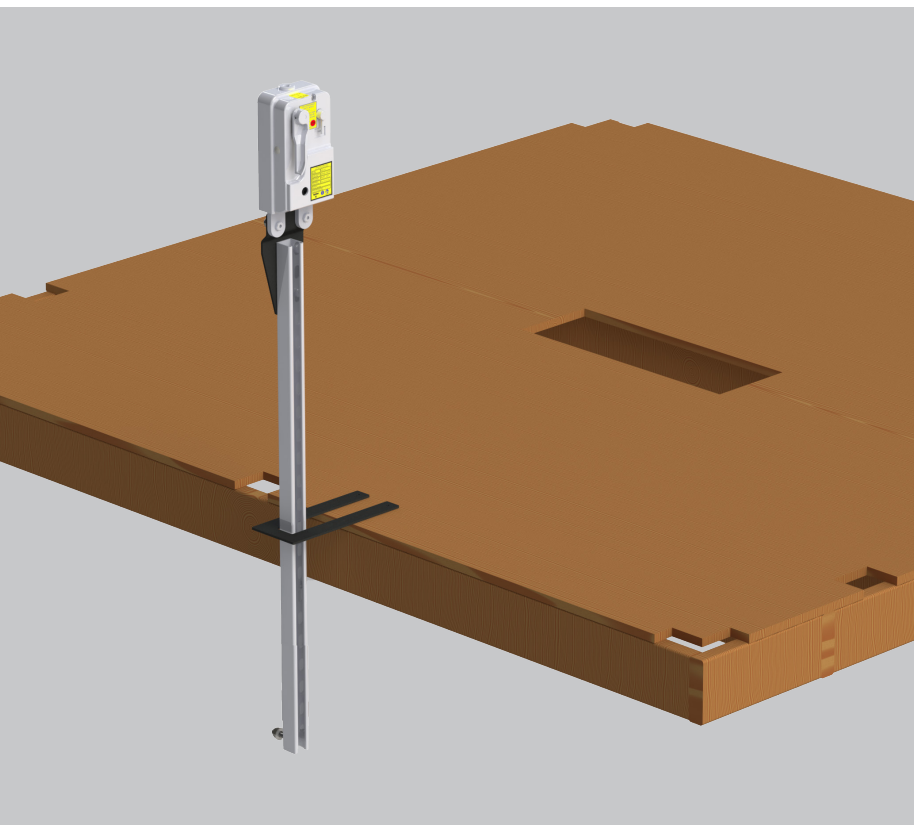


Car Safety Kit

Spider's Car Safety Kit maximizes safety during elevator installations by automatically locking the car's brakes in the event of overspeed. Replacing the cumbersome foot pedal method, Spider's safety device is an innovative, reliable solution, available for rent or purchase from locations throughout the Americas.



- › Maximizes safety with UL listed overspeed locking device that activates at 99 fpm
- › Sets elevator car safety within inches of overspeed descent condition
- › Provides convenient hands-free operation
- › Eliminates potential errors caused by the common misalignment of the manual foot pedal to the car safety arm
- › Operates on a standard 3/8 in. wire rope and connects directly to the safety lift arm
- › Kit includes overspeed safety lock (OSL), telescoping unistrut and unistrut guide

Since 1947, Spider has led the suspended powered access industry with innovative solutions to commercial construction, elevator, infrastructure, power generation, offshore and wind energy markets throughout the Americas. With highly specialized design expertise, fully integrated manufacturing and engineering, ISO 9001:2015 certification, and a national network of sales, service and 24/7 technical support capabilities, Spider provides the most reliable, turnkey access solutions inspired by customer input.

©2018 All rights reserved. SPI 010



Spider® By BrandSafway
365 Upland Dr. | Seattle, WA 98188
T: 1 877 774 3370 | www.spiderstaging.com

BRAND SAFWAY
brandsafway.com