



## Product Update

SER 15-003

Spider Knockdown Mod 710029-1 Quick Pin

June 2, 2015

### PURPOSE

It has been reported in the field that the Quick pin can fail in such a way as to become stuck in the Mod connection. The failure is the internal compression spring slips past locking lever causing the locking lever to jam in the locked position.

### COMPLIANCE CATEGORY

Safety

Failure to comply with this product update could result in personal injury. Compliance is mandated within a specific operating time.

Compliance Required

Identifies the need for action to correct a condition that, if left uncorrected, may result in reduced equipment reliability or efficiency. Compliance may be required within a specific operating time.

Optional

Identifies changes that may be beneficial to some, but not necessarily all. Accomplishment at customers discretion.

Notification

Customer communication, no action required.

### PRIORITY CODE

1

Prior to unit startup or prior to continued operation (Immediate Action Required)

2

At first opportunity (Prior to Next Scheduled Maintenance Interval)

3

Next Scheduled Maintenance Interval

4

Optional / Notification

### PRODUCT MODELS AFFECTED

SC1000/1500

SC30

SC40

Zmac

Astro

ST-17

ST-19

ST-26

ST-180

Platforms

BAP

TAP

Other:

Hoist Accessories

Platform Accessories

Rigging Accessories

Safety Accessories

### COMPONENT SYSTEM

Electrical

Mechanical

Safety

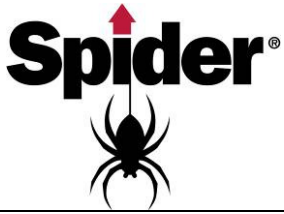
Other:

### SUB COMPONENT

A new pin pn 702181-1 with a lanyard and clip attached is available to replace pn 710029-1 quick pin.

Spring slips off of locking lever  
710029-1





## Product Update

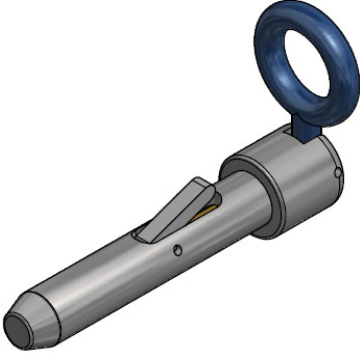
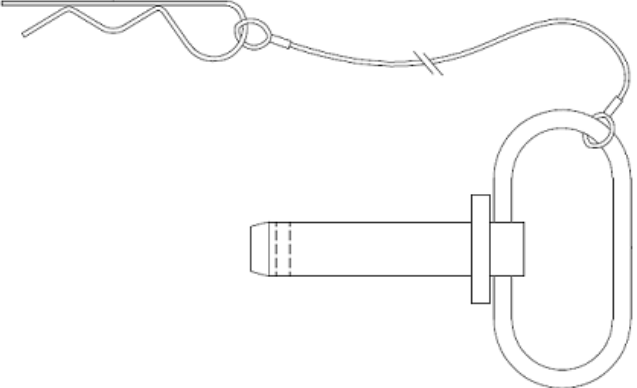
SER 15-003

Spider Knockdown Mod 710029-1 Quick Pin

June 2, 2015

### ACTION REQUIRED

If you have a PN: 710029-1 Quick pin that has a failure and is covered within warranty, contact either Customer Service or Product Support for RMA to return quick pins to TOC and arrange replacement pin PN; 702181-1 Pin with Lanyard and Clip.

710029-1 Quick Pin	702181-1 Pin; Hitch 75x2.5 W/Lanyard and Clip
	

### ACCOMPANYING DOCUMENTS

None