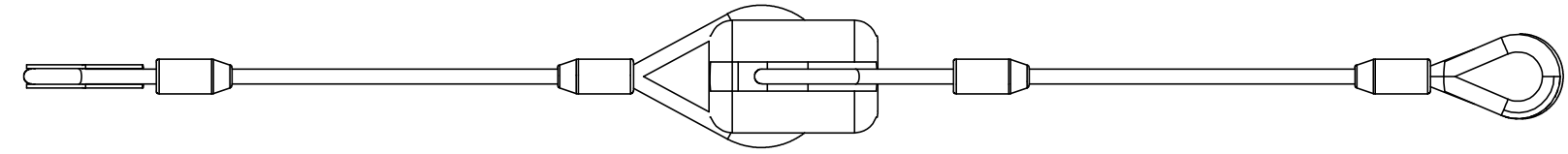
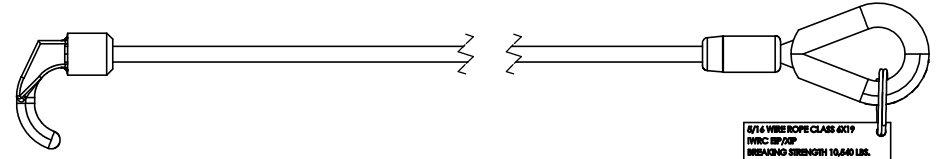


WIRE ROPE:5/16FC:DRUM HK  
1329-XXR  
MINIMUM BREAKING STRENGTH 11,500 LB

5/16 WIRE ROPE CLASS 636  
18 DO X20P FIBER CORE  
BREAKING STRENGTH 11,500 LBS  
LENGTH FT 70485-1/D

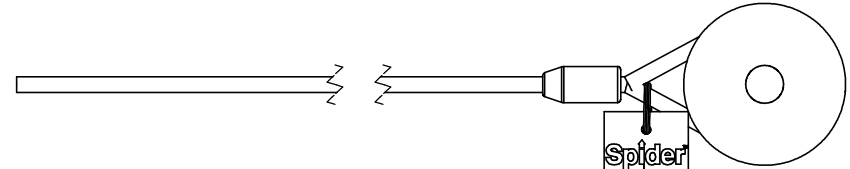


INSULATOR ASSY:WIRE ROPE  
4897R



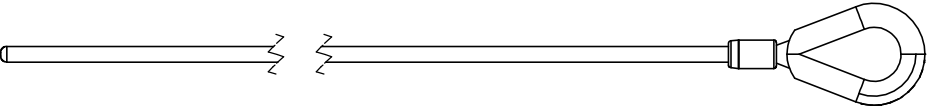
WIRE ROPE:5/16IWRC:DRUM  
4405-XXR  
MINIMUM BREAKING STRENGTH 10,540 LB

5/16 WIRE ROPE CLASS 637  
18WRC 18X20P  
BREAKING STRENGTH 10,540 LBS  
LENGTH FT 70485-6/D

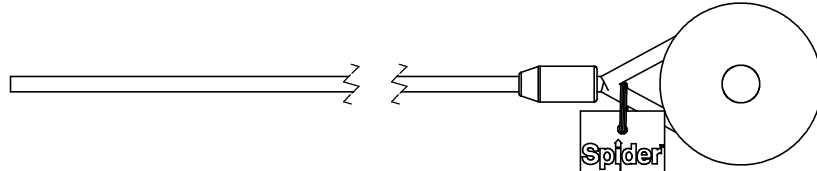


WIRE ROPE ASSY:T/H INS TH  
5/16; 6X19 IWRC T/H  
701118-XXR

Spider  
A Division of  
SafeWorks, LLC

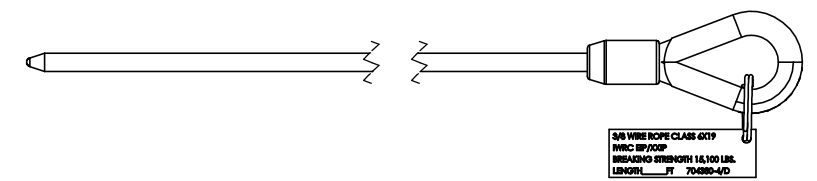


WIRE ROPE ASSY:TH5/16 FC  
700939-XXR  
MINIMUM BREAKING STRENGTH 11,500 LB



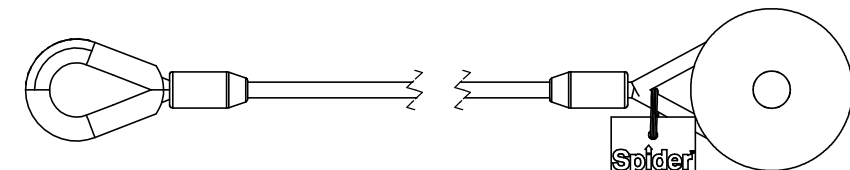
INS. THIMBLE ASSY:SEIZE END  
30 FT LONG  
701074-1R

Spider  
A Division of  
SafeWorks, LLC



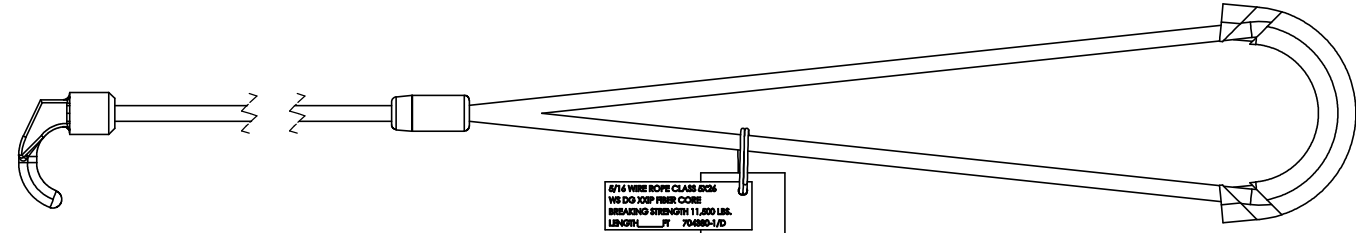
WIRE ROPE ASSY:UPPRO:3/8"  
720438-XXR  
MINIMUM BREAKING STRENGTH 15,100 LB

3/8 WIRE ROPE CLASS 637  
18WRC 18X20P  
BREAKING STRENGTH 15,100 LBS  
LENGTH FT 70485-4/D



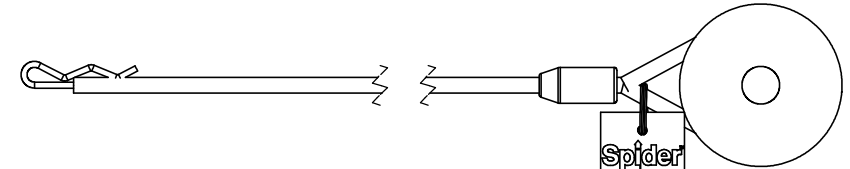
INS. THIMBLE ASSY:THIMBLE END  
15 FT LONG  
701074-2R

Spider  
A Division of  
SafeWorks, LLC



WIRE ROPE:5/16:18" EYE:DRUM HK  
701990-XXR  
MINIMUM BREAKING STRENGTH 11,500 LB

5/16 WIRE ROPE CLASS 636  
18 DO X20P FIBER CORE  
BREAKING STRENGTH 11,500 LBS  
LENGTH FT 70485-1/D



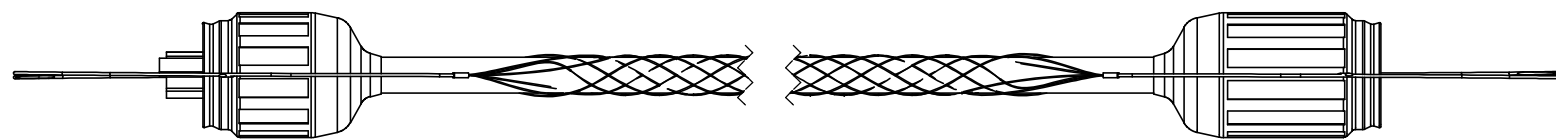
INS. THIMBLE ASSY:PIN CLIP END  
30 FT LONG  
701074-3R

Spider  
A Division of  
SafeWorks, LLC

TYPICAL WIRE ROPE COLOR CODE	
SILVER = 50 FT	RED = 100 FT
WHITE = 150 FT	BLUE 200 FT
GREEN = 250 FT	ORANGE = 300 FT
YELLOW = 350 FT	

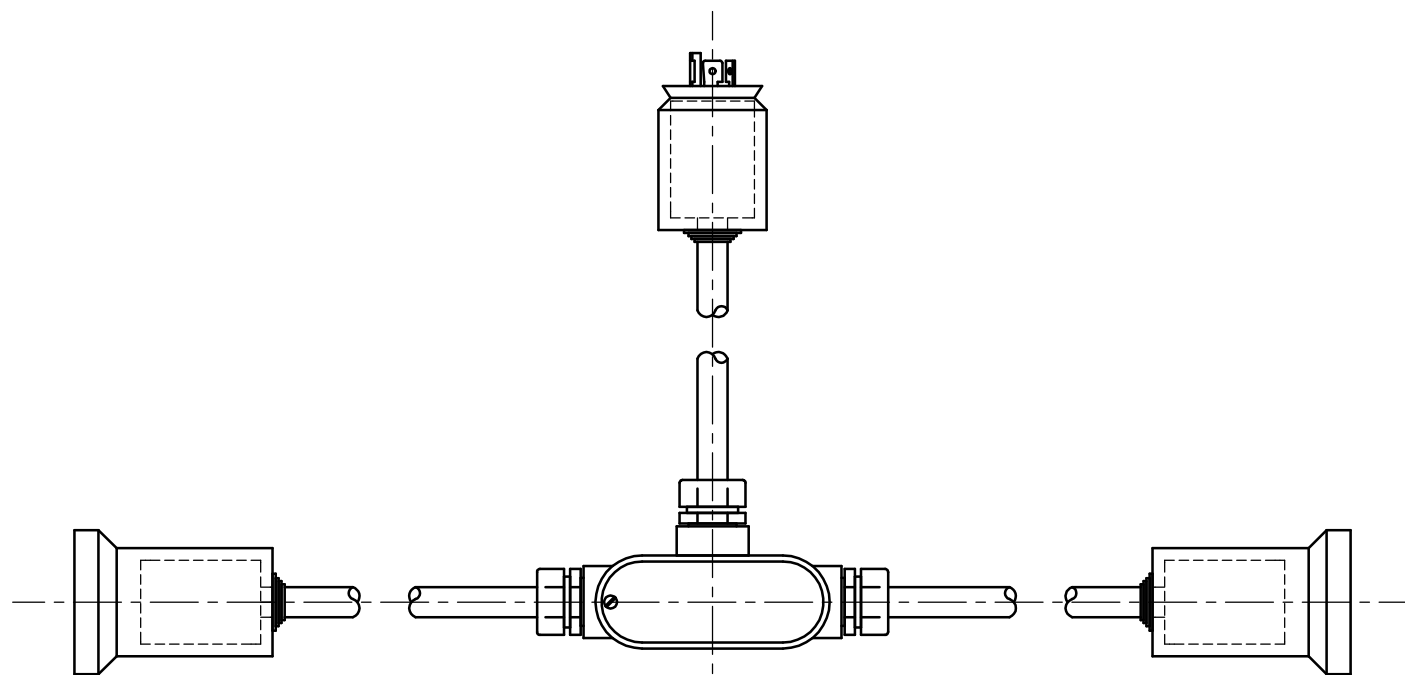
A		8697-S		2017/NOV/09		TSM	JTA
REV.	ECO	DATE	BY	CHK			
THIRD ANGLE PROJECTION	BRN TSM	ENG JTA	DATE 2017/07/13	TITLE			
				WIRE ROPE & POWER CORDS			
<small>PROPRIETARY AND CONFIDENTIAL THIS DRAWING IS THE PROPERTY OF SAFEWORKS, LLC AND IS NOT TO BE COPIED OR REPRODUCED WITHOUT WRITTEN CONSENT OF SAFEWORKS, LLC</small>				DWG. NO. 721282		REV A	
SHEET SIZE	D	SCALE	1:2	SHEET	1 OF 2		

P/N	DESCRIPTION	CORD SIZE
3660-XXR	ASSY;DROP CORD;250V;20A	10/3
3661-XXR	ASSY;DROP CORD;125V;20A	10/3
3662-XXR	DROP CORD ASSY;250V;25A	10/4
3664-XXR	ASSY;DROP CORD;250V;30A	8/4

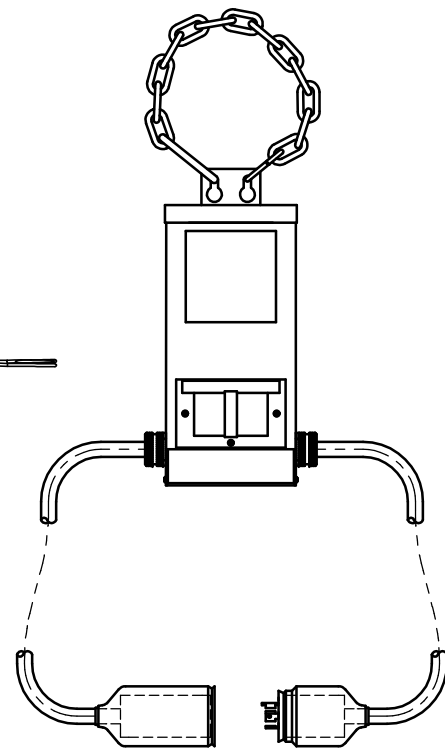


ELECTRICAL POWER CORDS

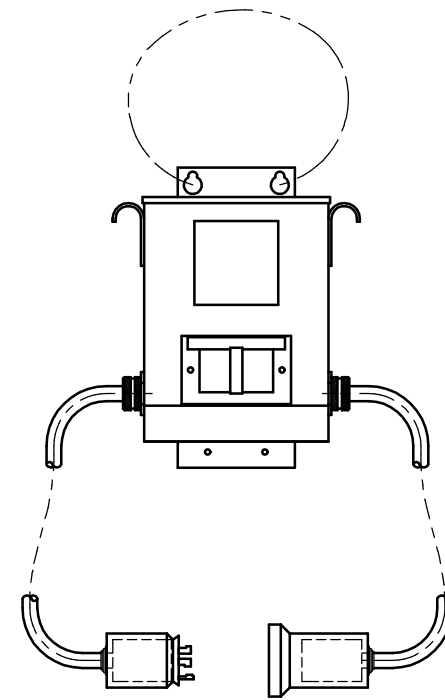
3663-XX	ARM LENGTH FT	PLUG MALE	CONNECTOR FEMALE	PHASE
-01R	40	30A 125V	30A 125V	1
-02R	40	20A 250V	20A 250V	1
SA-3662-1R	40	30A 250V	20A 250V	3
-04R	40	30A 250V	30A 250V	3
-06R	60	20A 250V	20A 250V	1
-07R	60	30A 250V	20A 250V	3
-08R	60	30A 250V	30A 250V	3



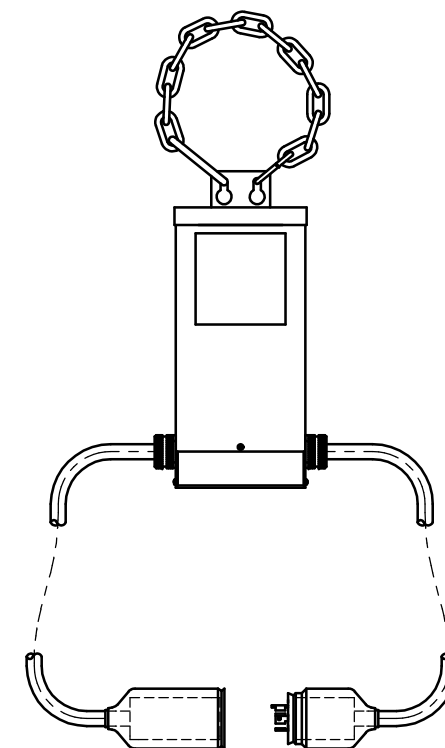
YOKES



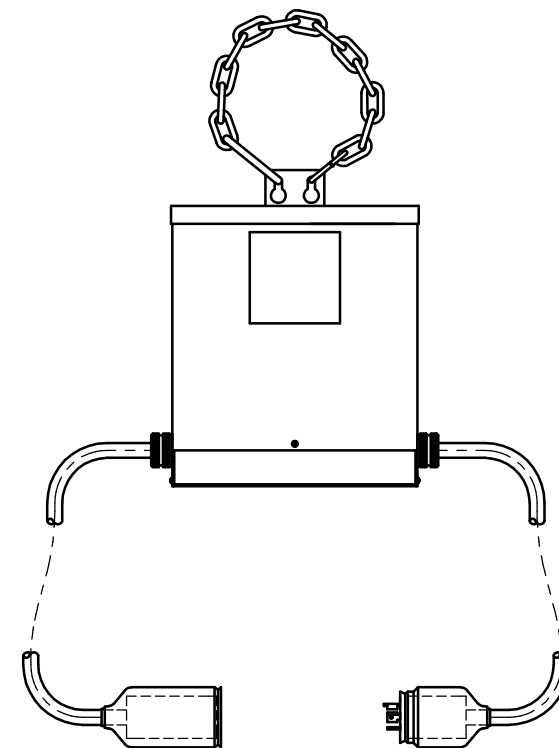
TRANS 2 KVA STEP DOWN W/GFI  
590003R  
WEIGHT: 45 LB



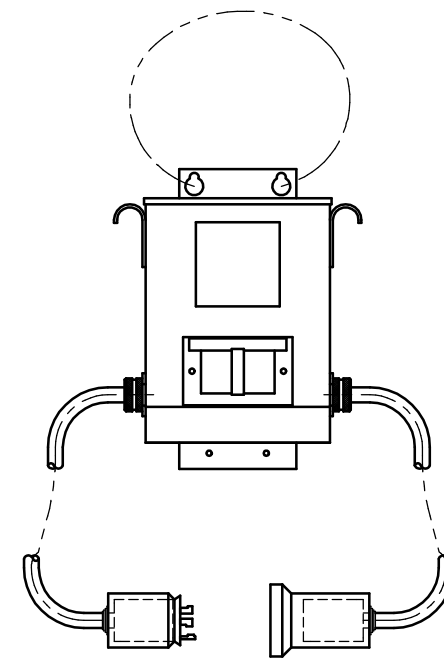
TRANS. ASSY;3KVA STEP DN W/GFI  
590005R  
WEIGHT: 43 LB



TRANSFORMER 2 KVA BOOST  
590012R  
WEIGHT: 43 LB



TRANSFORMER 3 KVA STEP UP  
590023R  
WEIGHT: 43 LB



TRANSFORMER:3Ø;3KVA;STEPDN;GFI  
709482-1R  
WEIGHT: 60 LB

THIRD ANGLE PROJECTION	DRAWN TSM	ENG JEA	DATE 2017/07/13	TITLE WIRE ROPE & POWER CORDS
PROPRIETARY AND CONFIDENTIAL THIS DRAWING IS THE PROPERTY OF SAFEWORKS, LLC. NO PARTS MAY BE COPIED OR REPRODUCED WITHOUT WRITTEN CONSENT OF SAFEWORKS, LLC.	<b>SafeWorks</b>			DWG. NO. 721282
SHEET SIZE D				SCALE 1:2
SHEETS 2 OF 2				REV A