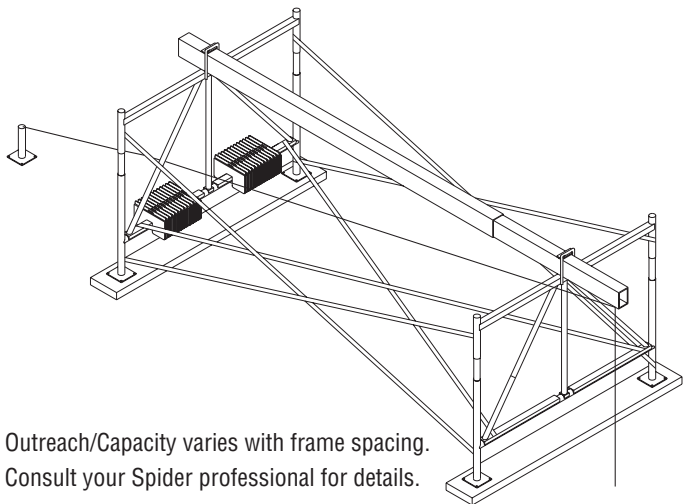


Outrigger Beam Support Frame

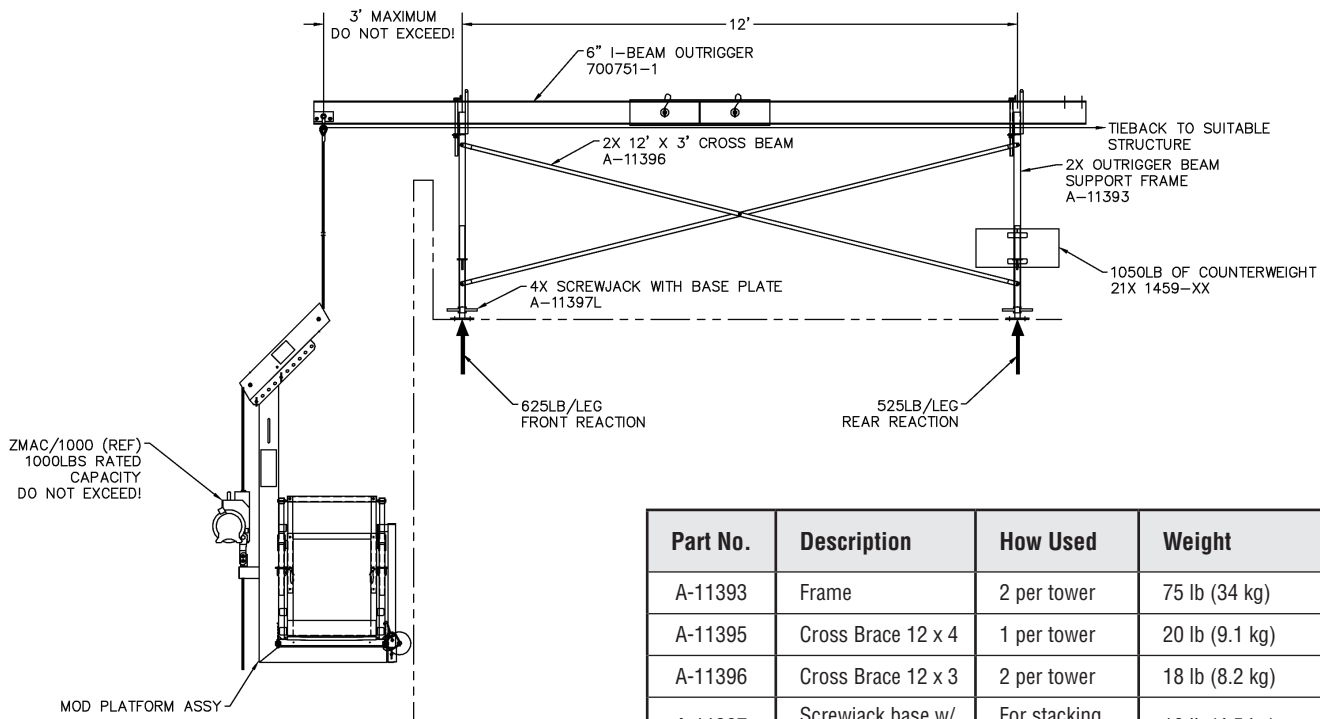


Heavy duty steel frames stack in 4 ft 2 in. (1.3 m) increments for high parapet wall clearance with 8-0217 series, 700809-1 and 700819-1 beams.

Key Features:

- Frame configurations available with base plates or casters
- Loading available for 1,000, 1,250 and 1,500 lb. (453.6, 567 and 680.4 kg) capacities depending on frame spacing and beam length
- Can be stacked multiple tiers high when completed by qualified person
- Extensive assembly instructions cover frame sizing, beam outreach (cantilever), suspended load available and allowable leg loads – makes set-up goof-proof

Outreach/Capacity varies with frame spacing.
Consult your Spider professional for details.



Specifications:	Part Numbers at Right
Load/Capacity:	1,000-1,500 lb (453.6-680.4 kg)
Load/Capacity of Casters:	A-11394: 750 lb (340.2 kg) max A-11835: 1,200 lb (544.3 kg) max
Weight:	75 lb (34 kg)
Outreach:	Dependent on which beam is used
Construction:	Steel

Part No.	Description	How Used	Weight
A-11393	Frame	2 per tower	75 lb (34 kg)
A-11395	Cross Brace 12 x 4	1 per tower	20 lb (9.1 kg)
A-11396	Cross Brace 12 x 3	2 per tower	18 lb (8.2 kg)
A-11397	Screwjack base w/ base plate	For stacking frames 2 tall	10 lb (4.5 kg)
A-11394	Caster	For rolling towers	16 lb (7.3 kg)
A-11398	Coupling Pin	For stacking frames 2 tall	1 lb. (0.5 kg)
A-11835	12 in. (305 mm) Caster	For rolling towers	24 lb (10.9 kg)
P-00248	Assembly instructions - for base plate and screwjack applications		
P-00249	Assembly instructions - for caster applications		