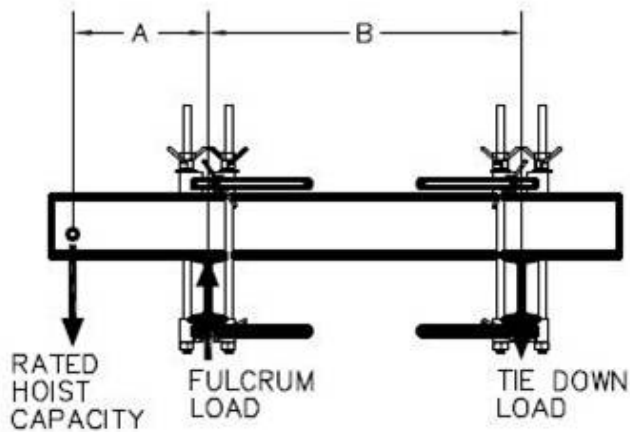


Beam Tie-Down System (702096-1)

Specifications:	702096-1
Load/Capacity:	4,000 lb. (1,814.4 kg) clamping load with 1,500 lb. (680.4 kg) hoist
Weight:	26 lb (11.8 kg)
Outreach (A):	Per Outrigger label
Backspan (B):	Minimum is 1.5 times Outreach

Key Features:

- Engineered connection to replace all sandwich or fish plates, gentries, frames and counterweights when tying beam directly to structural steel. (Tieback required.)
- One size fits all – accommodates a wide range of beam flange widths
- Clamps outrigger beams to structural steel
- Rated for use with 1,500 lb. (680.4 kg) hoists
- Built by Spider in the USA



Call or click for more information
1-877-774-3370
www.spiderstaging.com