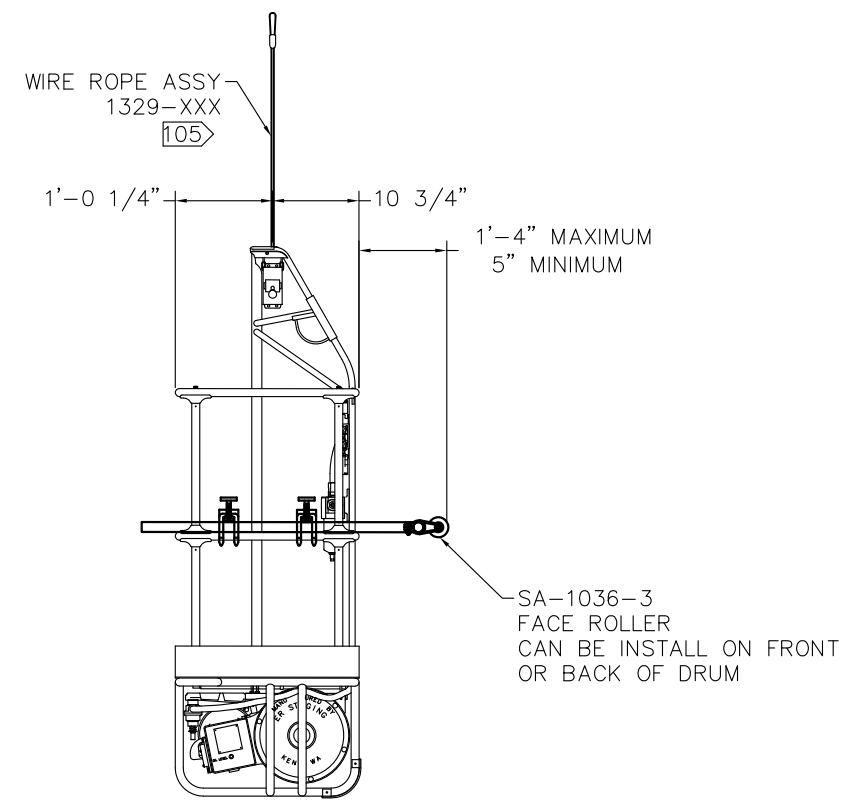
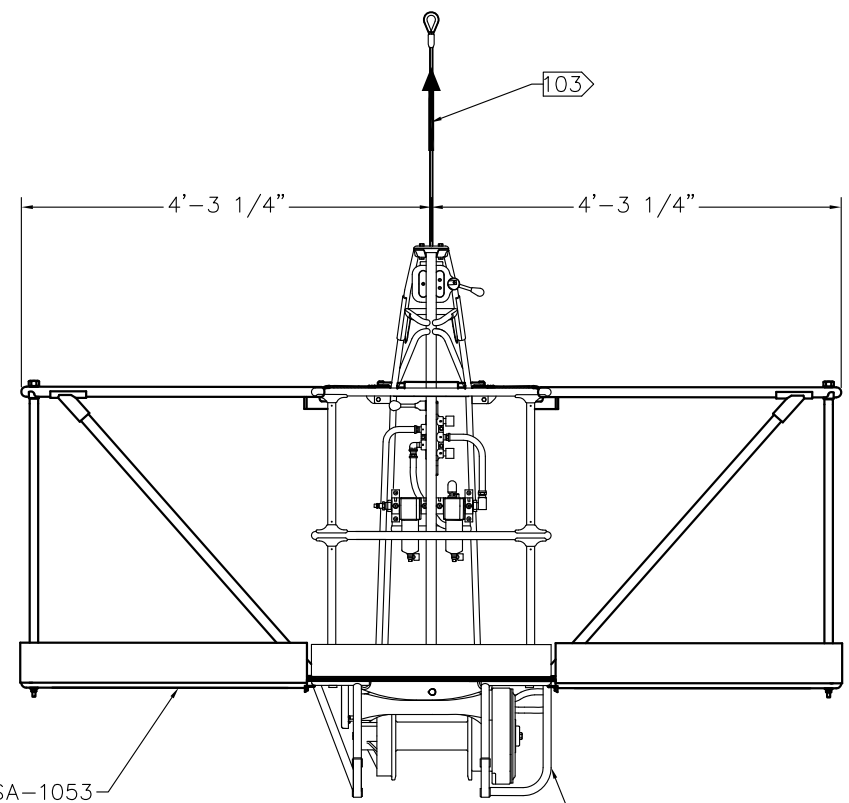
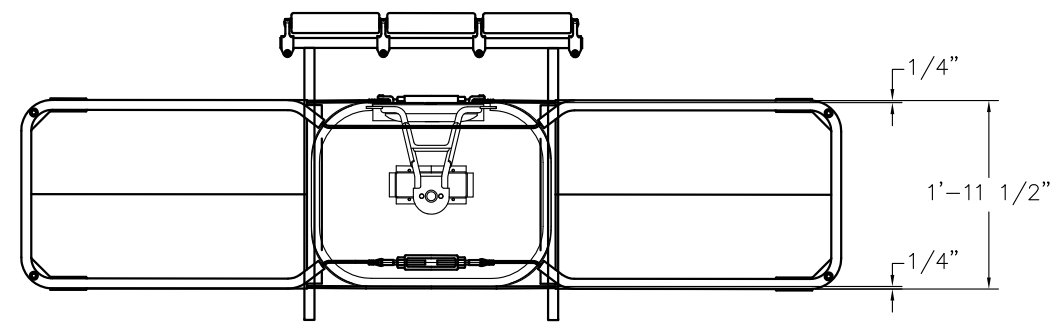


NOTES:

- 101. USE OF SUSPENDED SCAFFOLDING SHALL COMPLY WITH OSHA 29 CFR 1926.451(f) AND ANY APPLICABLE LOCAL REGULATIONS.
- 102. ALL PERSONNEL ON SUSPENDED SCAFFOLDING SHALL HAVE AN INDEPENDENT FALL ARREST SYSTEM THAT COMPLIES WITH OSHA 29 CFR 1926.451(g) AND ANY APPLICABLE LOCAL REGULATIONS.
- 103. SUPPORTING STRUCTURE SHALL HOLD 4000 LB WITHOUT FAILURE.
- 104. REFER TO SPIDER STAGING OPERATOR'S MANUALS 400540 FOR SPECIFIC INSTRUCTIONS FOR OPERATING ST-19 DRUM HOISTS.
- 105. SEE GA-1031 FOR WIRE ROPE DETAILS AND WEIGHT.
- 106. LIVE LOAD CAPACITY IS EQUAL TO THE GROSS CAPACITY MINUS THE WEIGHT OF THE BASKET, WIRE ROPE, ACCESSORIES AND POWER CORD/AIR HOSE LOAD. ALLOWABLE NUMBER OF PERSONNEL SHALL BE CALCULATED AT 250 LB PER PERSON

106

MAXIMUM RATED GROSS CAPACITY
1000 LB GROSS
<u>DO NOT EXCEED !!!</u>



SA-1053
FLYDECK; 3' DEMOUNT
WEIGHT = 87 LB/PAIR

ST-19A SPIDER; AIR DEMOUNTABLE
ST-19E SPIDER; 115V ELECTRIC DEMOUNTABLE
4997 SPIDER; 220V ELECTRIC DEMOUNTABLE
WEIGHT = 205 LB
104

ST-19A/E DRUM WITH 3' FLYDECK

REV 1	ECO	BETA RELEASED	DATE 11-12-2013	BY TSM	CK JTA
 A Division of SafeWorks, LLC			MATERIAL:		
365 UPLAND DRIVE SEATTLE, WASHINGTON 98188			THIS DRAWING IS THE PROPERTY OF SAFEWORKS, LLC. AND IS NOT TO BE COPIED OR REPRODUCED WITHOUT THE WRITTEN CONSENT OF SAFEWORKS, LLC.		
DRAWN BY TSM	DATE 10-31-2013	TITLE SPIDER ST-19E/E BASKET WITH 3' FLYDECK			
ENG JTA	SCALE D 3/4":1'-0"	DRAWING NUMBER GA1034	1 OF 1		