

NOTES:

101. USE OF SUSPENDED SCAFFOLDING SHALL COMPLY WITH OSHA 29 CFR 1926.451(f) AND ANY APPLICABLE LOCAL REGULATIONS.

102. ALL PERSONNEL ON SUSPENDED SCAFFOLDING SHALL HAVE AN INDEPENDENT FALL ARREST SYSTEM THAT COMPLIES WITH OSHA 29 CFR 1926.451(g) AND ANY APPLICABLE LOCAL REGULATIONS.

103 SUPPORTING STRUCTURE SHALL HOLD 4000 LB WITHOUT FAILURE.

104 REFER TO SPIDER STAGING OPERATOR'S MANUALS 400540 FOR SPECIFIC INSTRUCTIONS FOR OPERATING ST-19 DRUM HOISTS.

105 SEE GA-1031 FOR WIRE ROPE DETAILS AND WEIGHT.

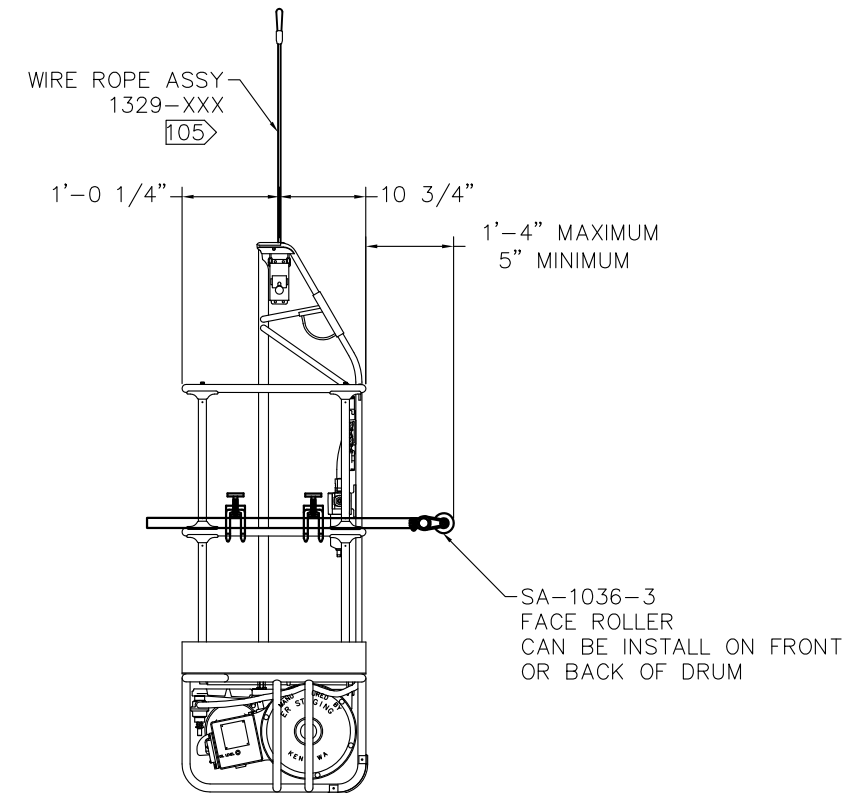
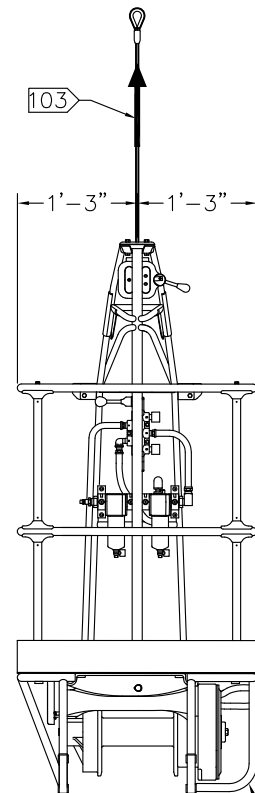
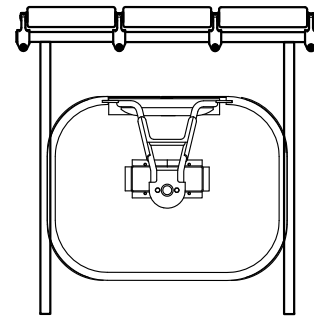
106 LIVE LOAD CAPACITY IS EQUAL TO THE GROSS CAPACITY MINUS THE WEIGHT OF THE BASKET, WIRE ROPE, ACCESSORIES AND POWER CORD/AIR HOSE LOAD. ALLOWABLE NUMBER OF PERSONNEL SHALL BE CALCULATED AT 250 LB PER PERSON

106

MAXIMUM RATED GROSS CAPACITY

1000 LB GROSS


DO NOT EXCEED !!!



ST-19A SPIDER; AIR DEMOUNTABLE
 ST-19E SPIDER; 115V ELECTRIC DEMOUNTABLE
 4997 SPIDER; 220V ELECTRIC DEMOUNTABLE
 WEIGHT = 205 LB

104

ST-19A/E DEMOUNTABLE BASKET

REV 1	ECO	BETA RELEASED	DATE 11-12-2013	BY TSM	CK JTA
 A Division of SafeWorks, LLC			MATERIAL: THIS DRAWING IS THE PROPERTY OF SAFEWORKS, LLC. AND IS NOT TO BE COPIED OR REPRODUCED WITHOUT THE WRITTEN CONSENT OF SAFEWORKS, LLC.		
365 UPLAND DRIVE SEATTLE, WASHINGTON 98188			TITLE SPIDER ST-19A/E DEMOUNTABLE BASKET		
DRAWN BY TSM	DATE 5-17-13	DRAWING NUMBER GA1032		1 OF 1	
ENG JTA	SCALE D 3/4":1'-0"				