

NOTES:

101. USE OF SUSPENDED SCAFFOLDING SHALL COMPLY WITH OSHA 29 CFR 1926.451(f) AND ANY APPLICABLE LOCAL REGULATIONS.

102. ALL PERSONNEL ON SUSPENDED SCAFFOLDING SHALL HAVE AN INDEPENDENT FALL ARREST SYSTEM THAT COMPLIES WITH OSHA 29 CFR 1926.451(g) AND ANY APPLICABLE LOCAL REGULATIONS.

103. SUPPORTING STRUCTURE MUST HOLD 4000 LB WITHOUT FAILURE.

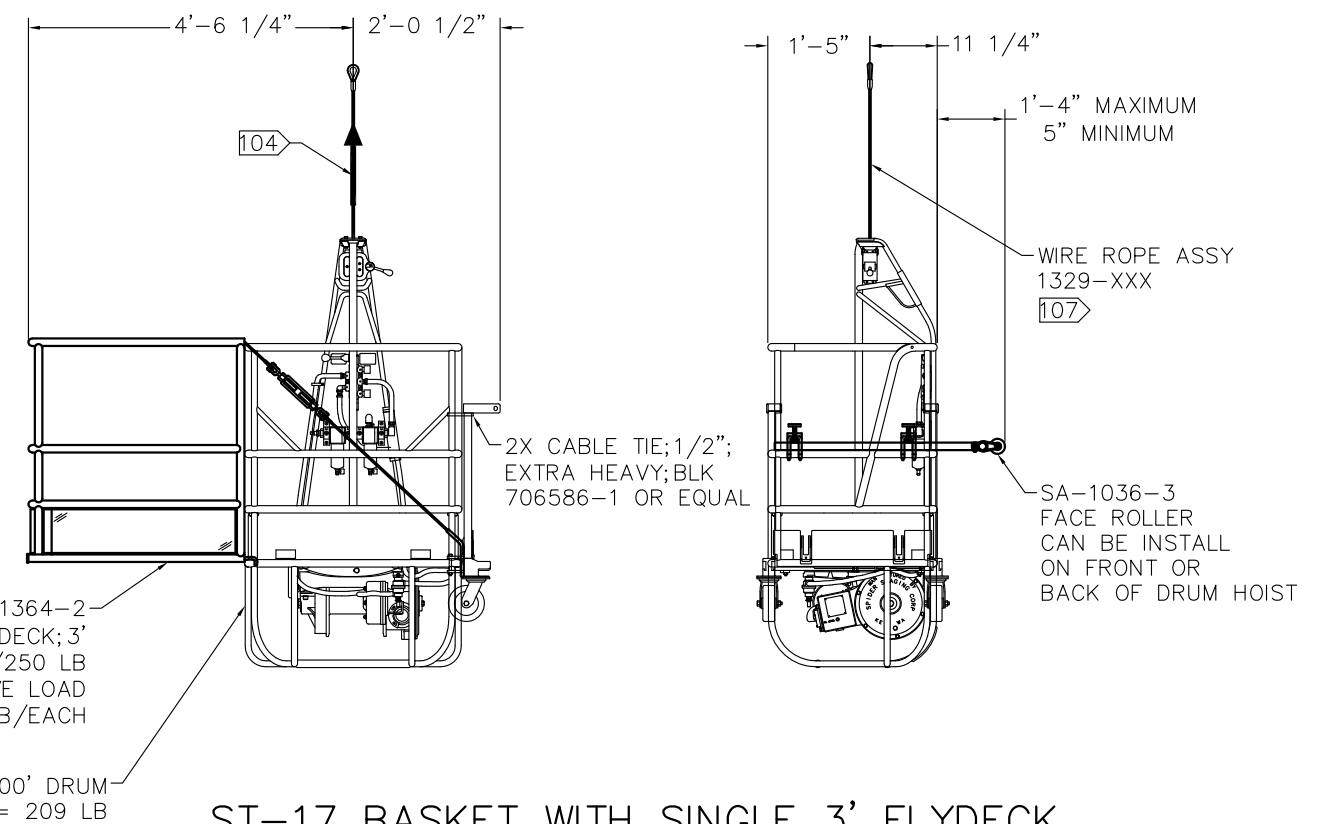
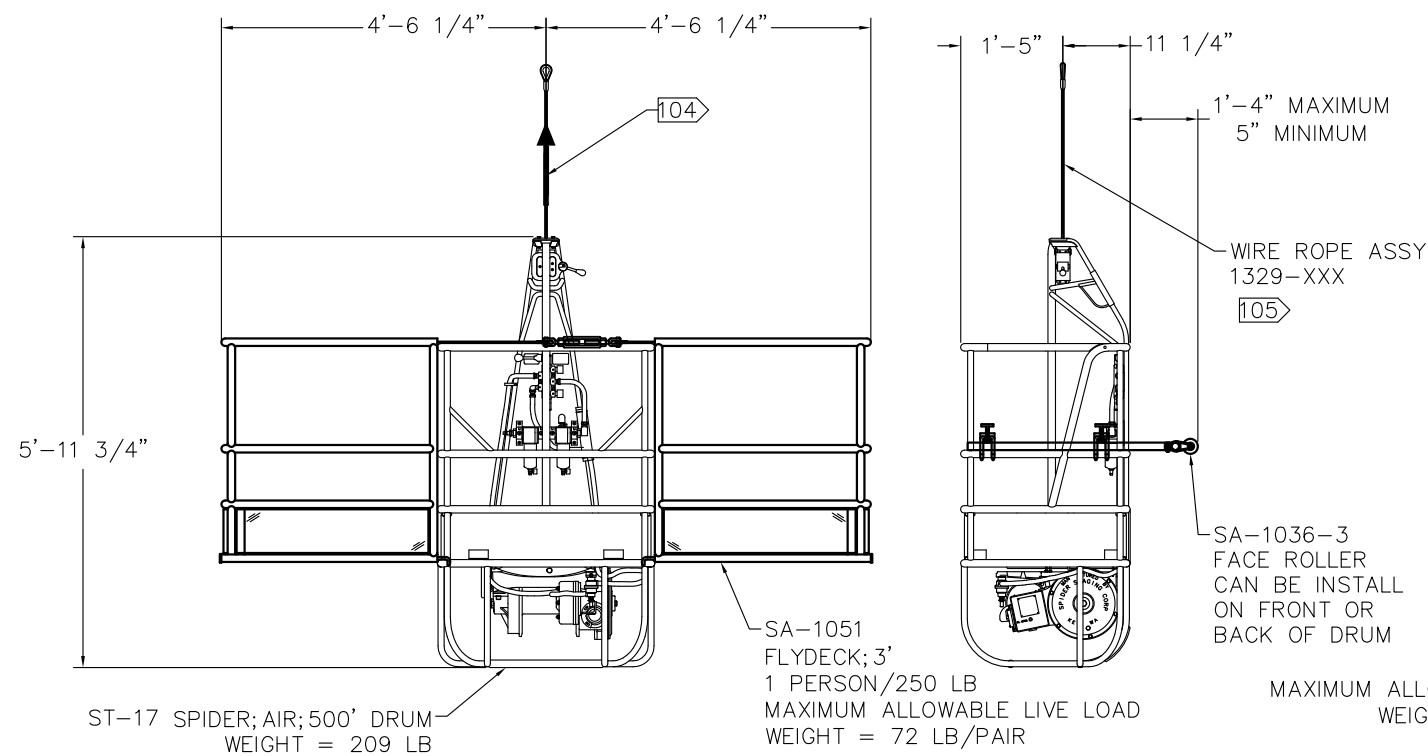
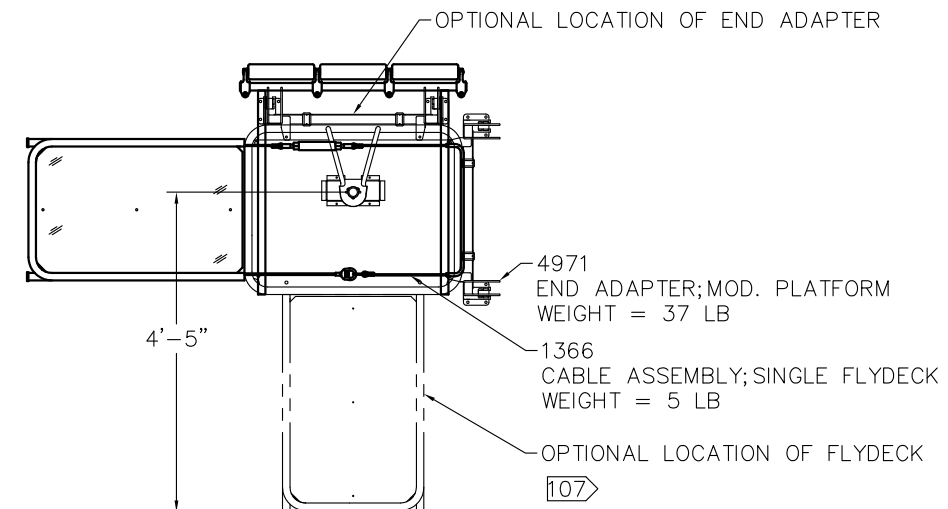
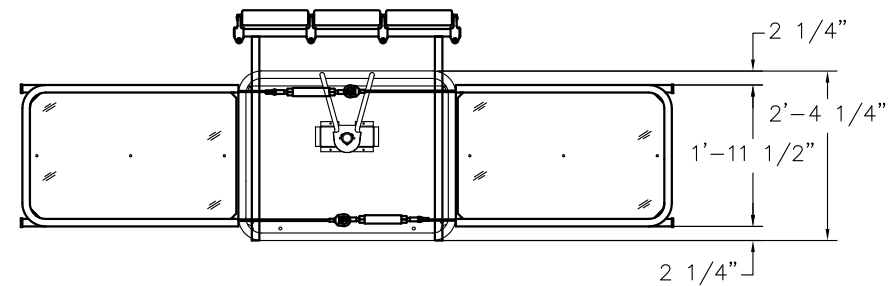
104. REFER TO SPIDER STAGING OPERATOR'S MANUAL 400540 FOR SPECIFIC INSTRUCTIONS FOR OPERATING THE ST-17 DRUM HOIST.

105. SEE GA-1029 FOR WIRE ROPE DETAILS AND WEIGHT.

106. LIVE LOAD CAPACITY IS EQUAL TO THE GROSS CAPACITY MINUS THE COMBINED WEIGHT OF THE BASKET, WIRE ROPE, ACCESSORIES AND POWER CORD/AIR HOSE LOAD. ALLOWABLE NUMBER OF PERSONNEL SHALL BE CALCULATED AT 250 LB PER PERSON


107. ANY COMBINATION OF FLYDECKS CAN BE USED.

106. MAXIMUM RATED GROSS CAPACITY
1000 LB NET
DO NOT EXCEED !!!



ST-17 BASKET WITH PAIR OF 3' FLYDECK

ST-17 BASKET WITH SINGLE 3' FLYDECK

REV 1	ECO	BETA RELEASED	DATE 11-14-2013	BY TSM	CK JTA
 A Division of SafeWorks, LLC		MATERIAL: THIS DRAWING IS THE PROPERTY OF SAFEWORKS, LLC. AND IS NOT TO BE COPIED OR REPRODUCED WITHOUT THE WRITTEN CONSENT OF SAFEWORKS, LLC.			
365 UPLAND DRIVE SEATTLE, WASHINGTON 98188		TITLE SPIDER ST-17 BASKET WITH 3' FLYDECK			
DRAWN BY TSM	DATE 5-17-13	DRAWING NUMBER GA1028		1 OF 1	
ENG JTA	SCALE D 3/4":1'-0"				