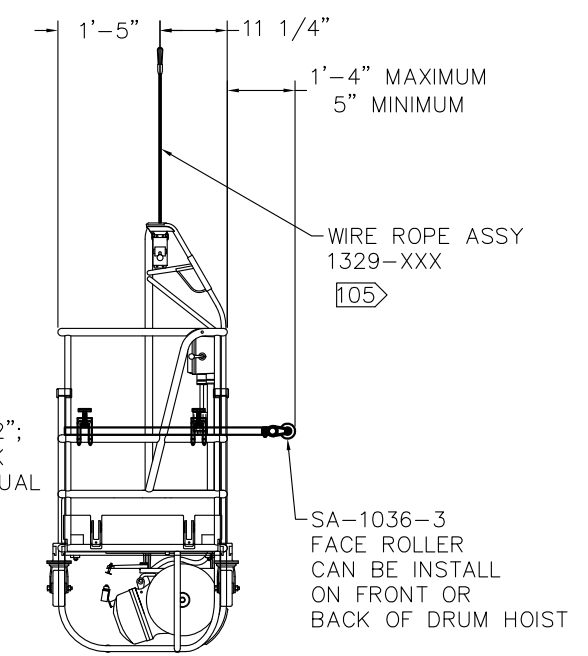
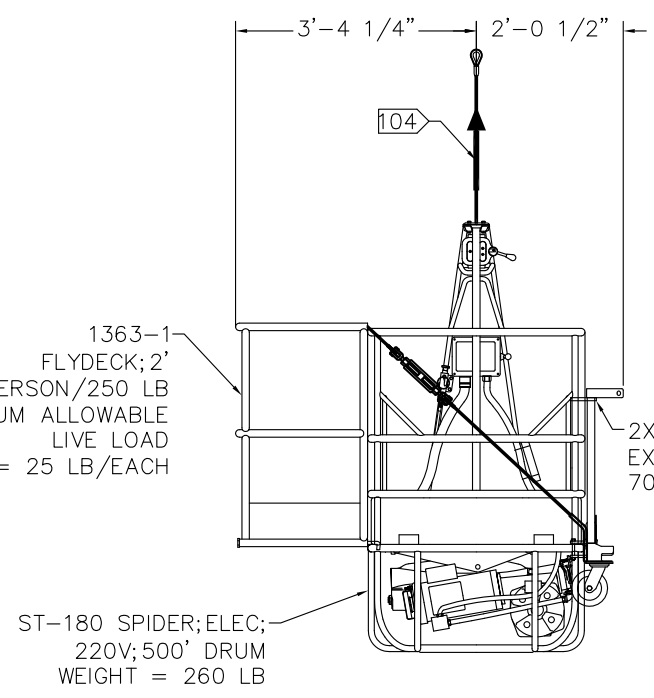
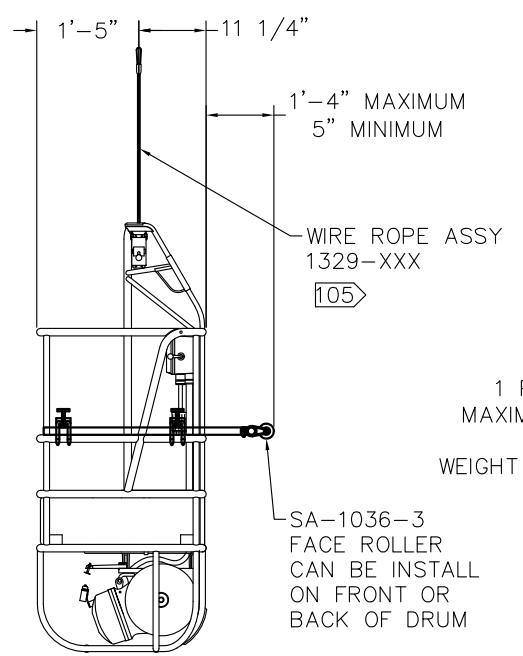
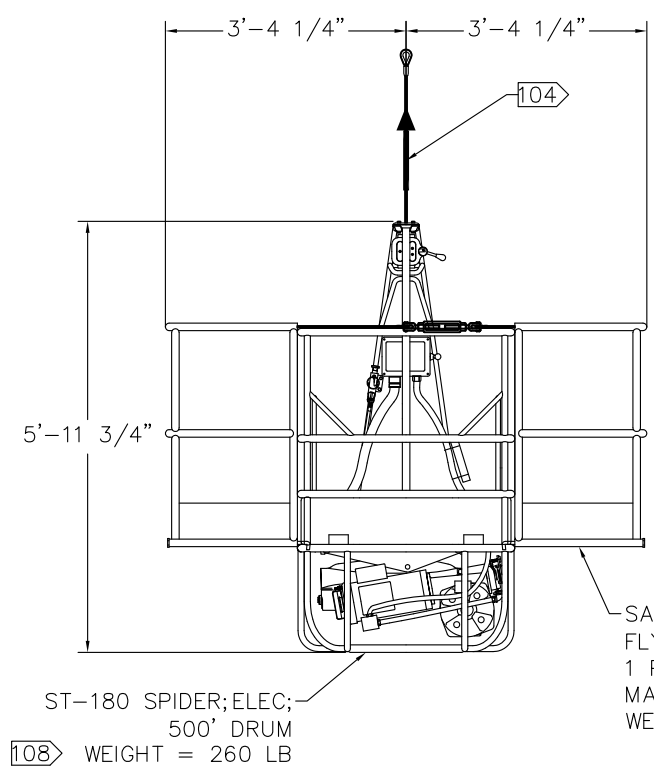
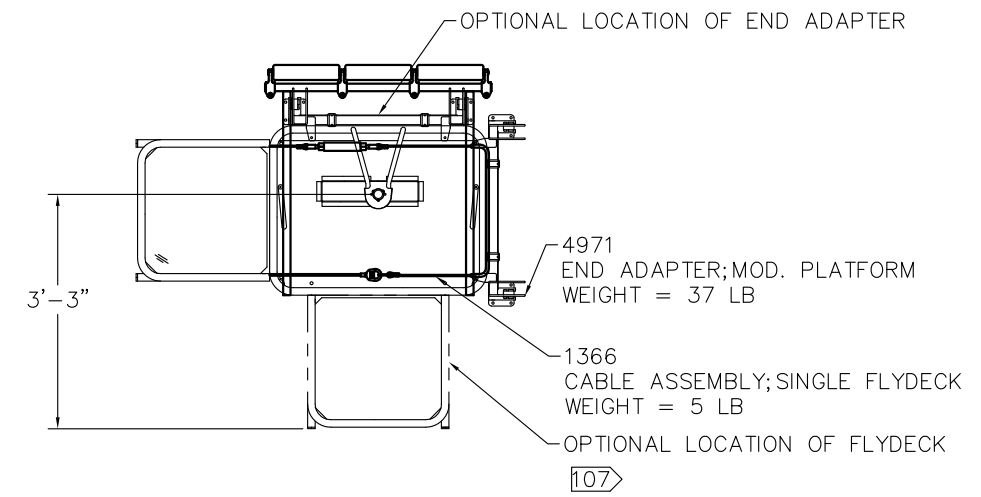
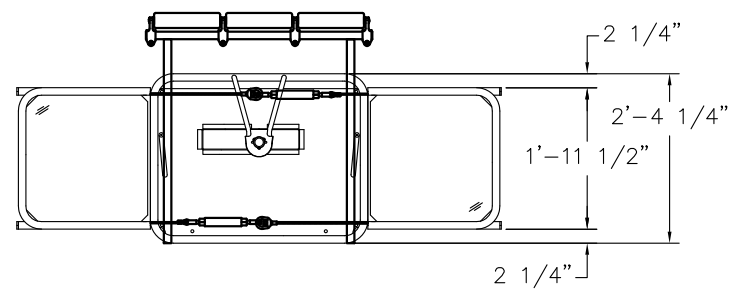


NOTES:

- 101. USE OF SUSPENDED SCAFFOLDING SHALL COMPLY WITH OSHA 29 CFR 1926.451(f) AND ANY APPLICABLE LOCAL REGULATIONS.
- 102. ALL PERSONNEL ON SUSPENDED SCAFFOLDING SHALL HAVE AN INDEPENDENT FALL ARREST SYSTEM THAT COMPLIES WITH OSHA 29 CFR 1926.451(g) AND ANY APPLICABLE LOCAL REGULATIONS.
- 103. SUPPORTING STRUCTURE MUST HOLD 5000 LB WITHOUT FAILURE.
- 104. REFER TO SPIDER STAGING OPERATOR'S MANUALS 4624-01 AND 400540 FOR SPECIFIC INSTRUCTIONS FOR OPERATING ST-180 DRUM HOISTS.


- 105. SEE GA-1029 FOR WIRE ROPE DETAILS AND WEIGHT.
- 106. LIVE LOAD CAPACITY IS EQUAL TO THE GROSS CAPACITY MINUS THE WEIGHT OF THE BASKET, WIRE ROPE, ACCESSORIES AND POWER CORD/AIR HOSE LOAD. ALLOWABLE NUMBER OF PERSONNEL SHALL BE CALCULATED AT 250 LB PER PERSON
- 107. ANY COMBINATION OF FLYDECKS CAN BE USED.
- 108. ST-180 220VAC 1φ 60HZ
ST-180-4 208VAC 3φ 60HZ
ST-180-10 210VAC 1φ 50HZ
ST-180-14-460-60 460VAC 3φ 60HZ

106	MAXIMUM RATED GROSS CAPACITY
	1250 LB GROSS
	DO NOT EXCEED !!!



ST-180 BASKET WITH PAIR OF 2' FLYDECKS

ST-180 BASKET WITH SINGLE 2' FLYDECK

REV 1	ECO	BETA RELEASED	DATE 11-14-2013	BY TSM	CK JTA
 A Division of SafeWorks, LLC			MATERIAL: THIS DRAWING IS THE PROPERTY OF SAFEWORKS, LLC. AND IS NOT TO BE COPIED OR REPRODUCED WITHOUT THE WRITTEN CONSENT OF SAFEWORKS, LLC.		
365 UPLAND DRIVE SEATTLE, WASHINGTON 98188			TITLE SPIDER ST-180 9" DRUM BASKET WITH 2' FLYDECK		
DRAWN BY	TSM	DATE	5-17-13	DRAWING NUMBER	GA1022
ENG	JTA	SCALE	D 3/4":1'-0"		1 OF 1