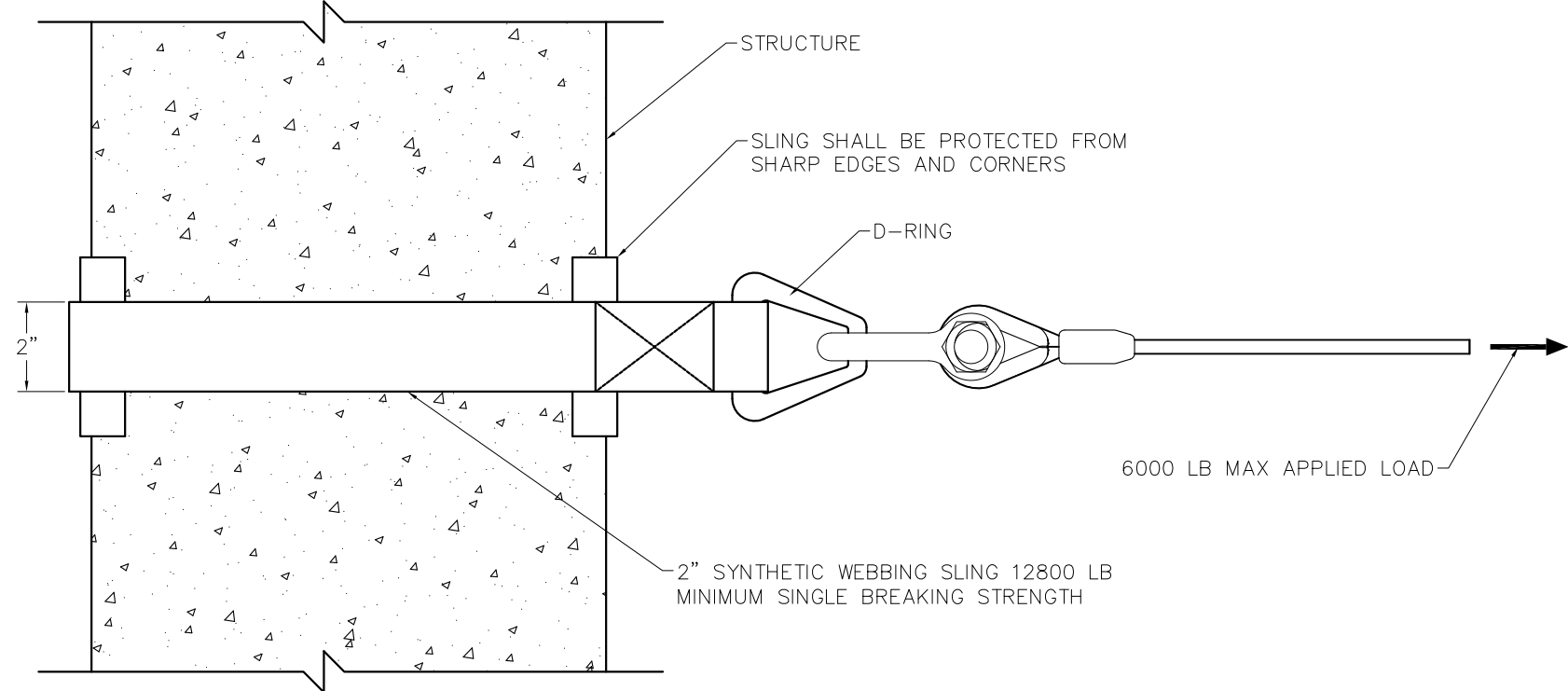
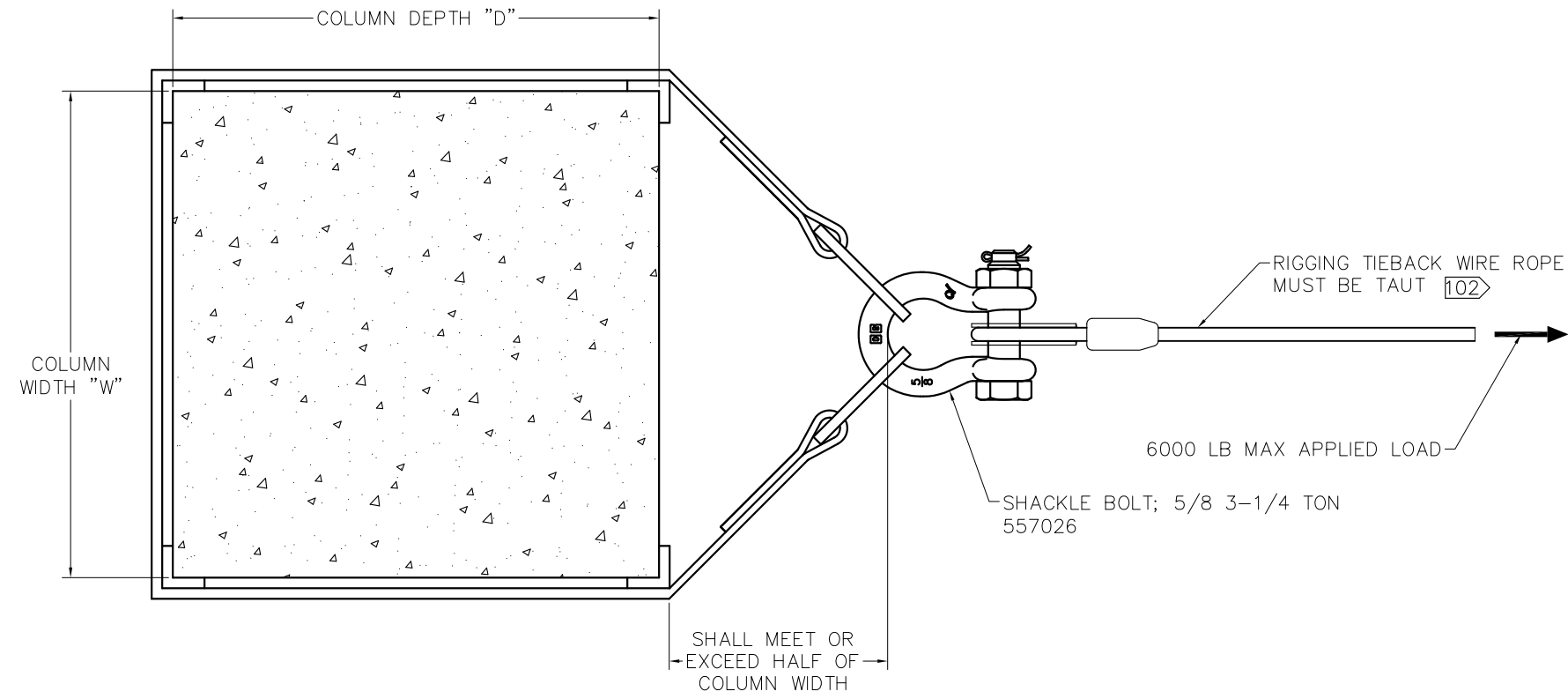



NOTES:

- 101. USE OF SUSPENDED SCAFFOLDING MUST COMPLY WITH OSHA 29 CFR 1926.451(f) AND ANY APPLICABLE LOCAL REGULATIONS.
- 102. SUSPENDED SCAFFOLD RIGGING AND TIEBACKS MUST COMPLY WITH OSHA 29 CFR 1926.451(a) AND 1926.451(d) AND ANY APPLICABLE LOCAL REGULATIONS.
- 103. INSTALLATION AND USAGE SHALL COMPLY WITH MANUFACTURER'S INSTRUCTIONS.
- 104. INSTALLATION SHALL BE INSPECTED PRIOR TO EACH WORK SHIFT.
- 105. SWING SHALL BE REMOVED FROM SERVICE IF DAMAGED OR CUT. REMOVAL CRITERIA SHALL CONFORM TO ASME 1330.9
- 106. MINIMUM SLING LENGTH = 2D + 2.4W

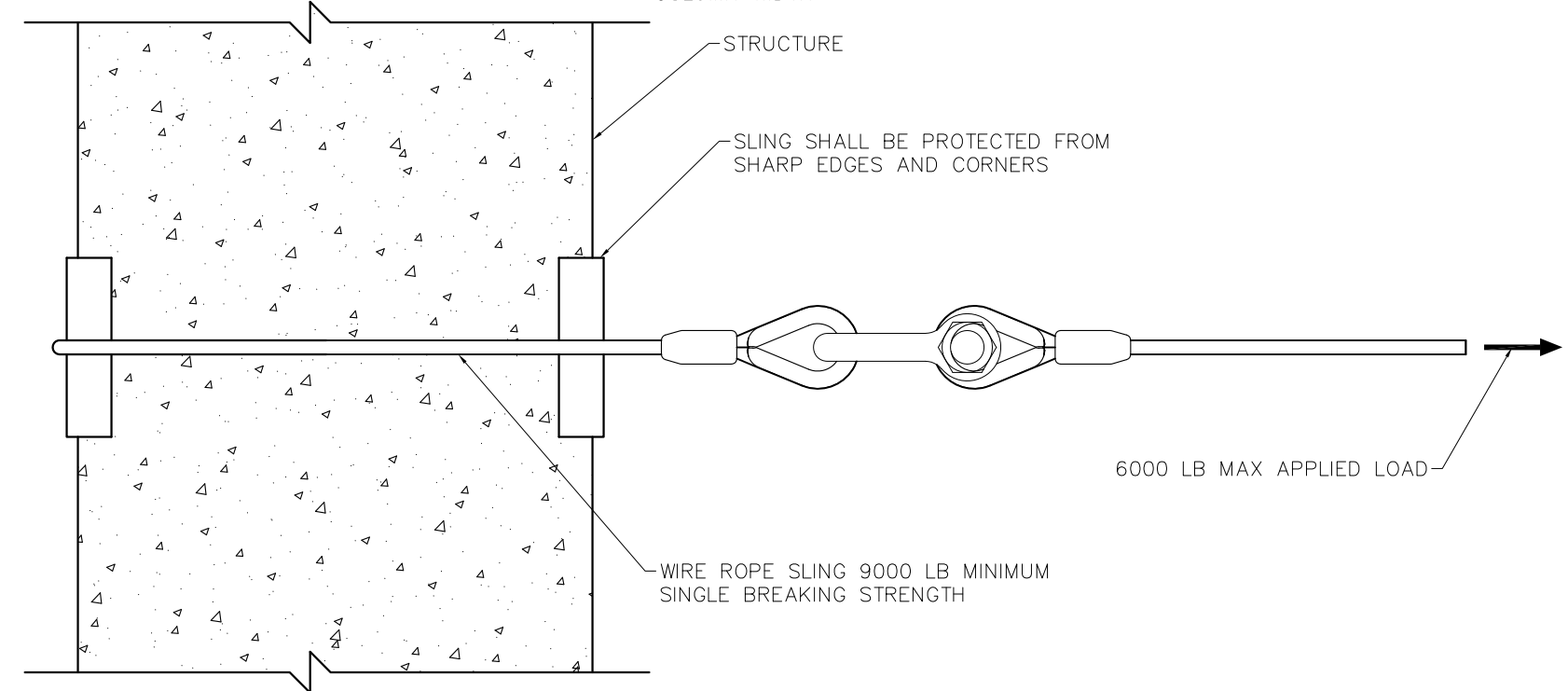
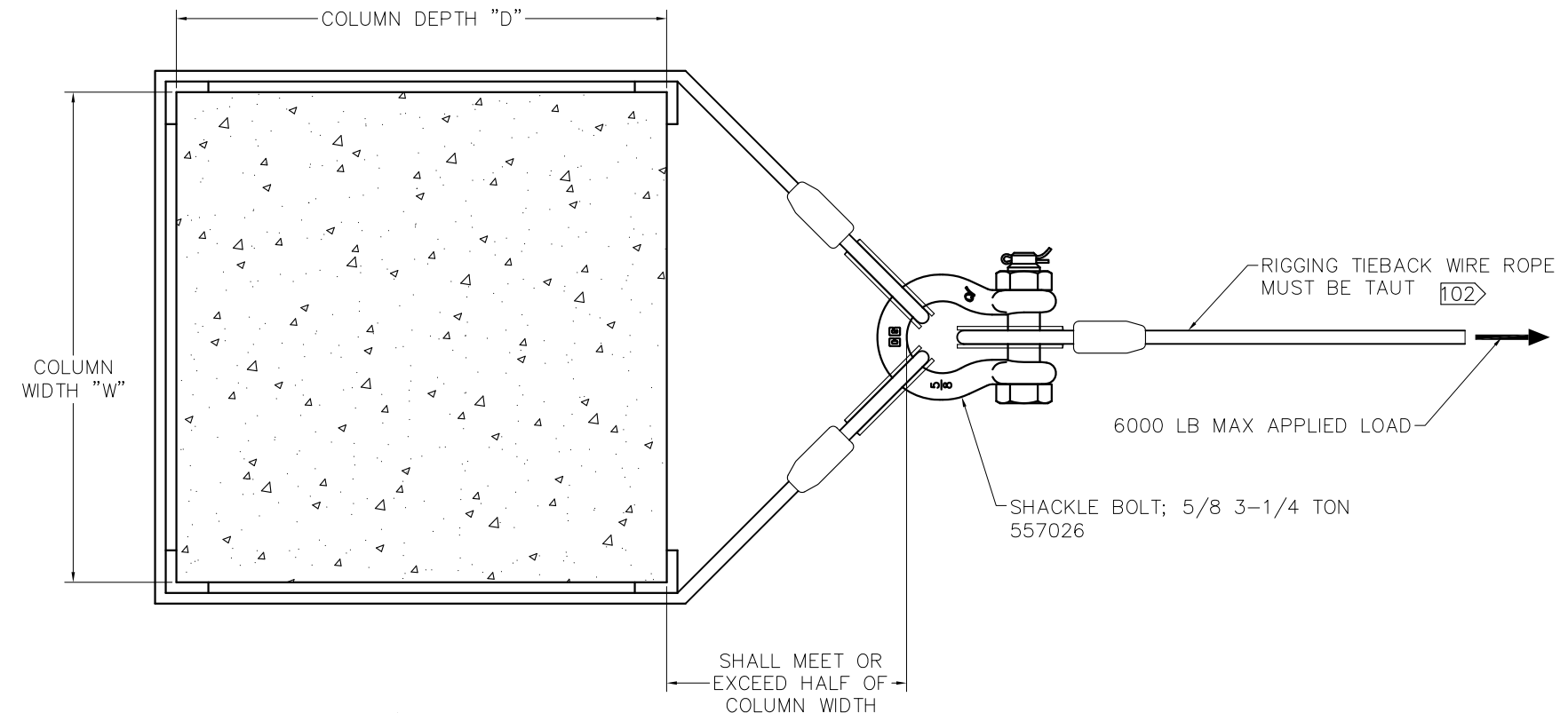


SLING TO STRUCTURE TIE BACK


REV 1	ECO	BETA RELEASED	DATE 4-19-2013	BYTSM	CK JTA
			MATERIAL:		
			THIS DRAWING IS THE PROPERTY OF SAFEWORKS, LLC. AND IS NOT TO BE COPIED OR REPRODUCED WITHOUT THE WRITTEN CONSENT OF SAFEWORKS, LLC.		
DRAWN BY TSM			DATE 3-20-13	TITLE RIGGING TIEBACK SLING	
ENG JTA			SCALE, D 6"-1'0"	DRAWING NUMBER GA1014	1 OF 2

NOTES:

- 101. USE OF SUSPENDED SCAFFOLDING MUST COMPLY WITH OSHA 29 CFR 1926.451(f) AND ANY APPLICABLE LOCAL REGULATIONS.
- 102. SUSPENDED SCAFFOLD RIGGING AND TIEBACKS MUST COMPLY WITH OSHA 29 CFR 1926.451(a) AND 1926.451(d) AND ANY APPLICABLE LOCAL REGULATIONS.
- 103. INSTALLATION AND USAGE SHALL COMPLY WITH MANUFACTURER'S INSTRUCTIONS.
- 104. INSTALLATION SHALL BE INSPECTED PRIOR TO EACH WORK SHIFT.
- 105. SWING SHALL BE REMOVED FROM SERVICE IF DAMAGED OR CUT. REMOVAL CRITERIA SHALL CONFORM TO ASME 1330.9
- 106. MINIMUM SLING LENGTH = $2D + 2.4W$



SLING TO STRUCTURE TIE BACK

REV 1	ECO	BETA RELEASED	DATE 4-19-2013	BY TSM	CK JTA
 <p>A Division of SafeWorks, LLC</p>			MATERIAL: THIS DRAWING IS THE PROPERTY OF SAFEWORKS, LLC. AND IS NOT TO BE COPIED OR REPRODUCED WITHOUT THE WRITTEN CONSENT OF SAFEWORKS, LLC.		
365 UPLAND DRIVE SEATTLE, WASHINGTON 98188			TITLE RIGGING TIEBACK SLING		
DRAWN BY	TSM	DATE	3-20-13	DRAWING NUMBER	
ENG	JTA	SCALE	D 6"-1'0"	GA1014	
				2 OF 2	