

NOTES:

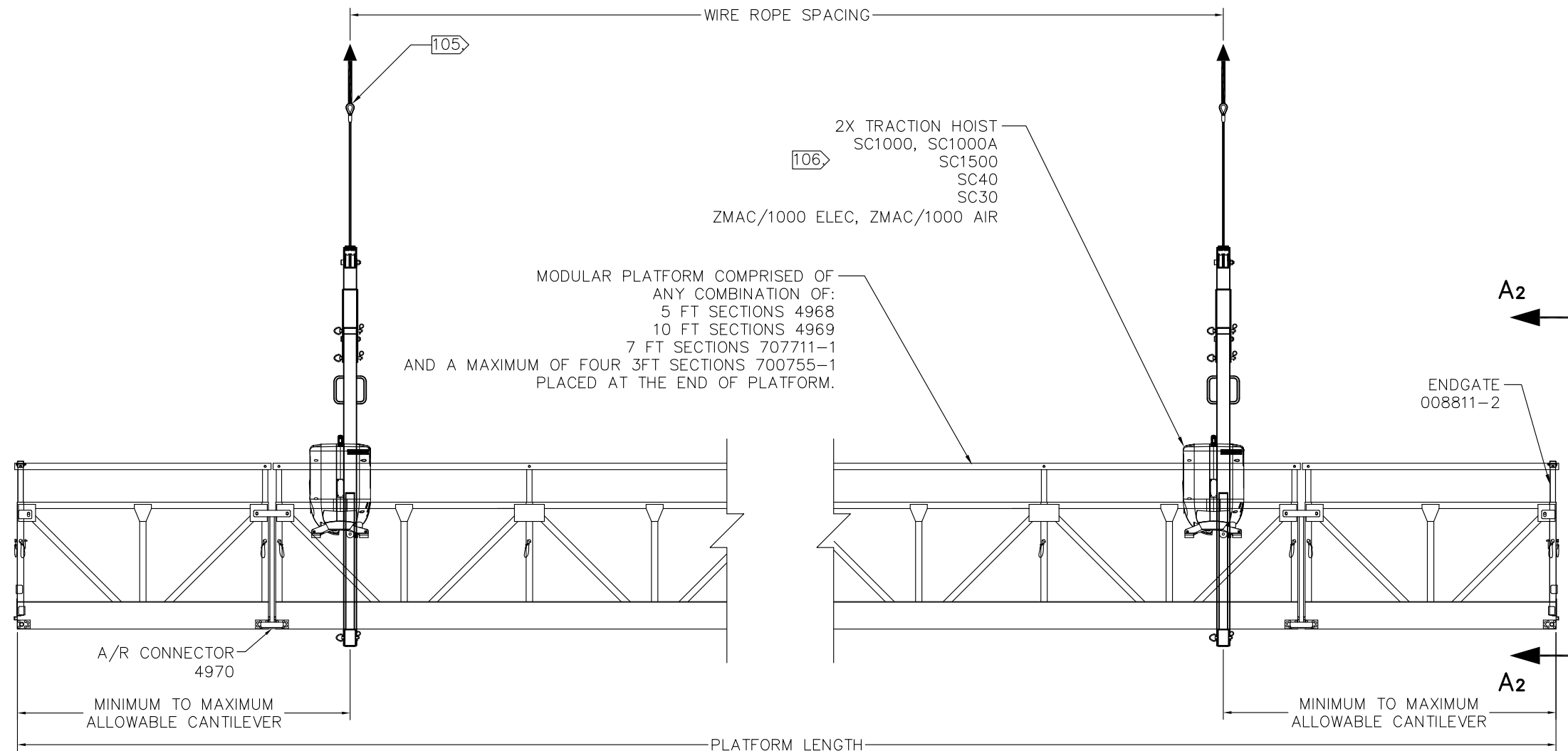
- 101. USE OF SUSPENDED SCAFFOLDING MUST COMPLY WITH OSHA 29 CFR 1926.451(f) AND ANY APPLICABLE LOCAL REGULATIONS.
- 102. ALL PERSONNEL ON SUSPENDED SCAFFOLDING MUST HAVE AN INDEPENDENT FALL ARREST SYSTEM THAT COMPLIES WITH OSHA 29 CFR 1926.451(g) AND ANY APPLICABLE LOCAL REGULATIONS.
- 103. LOAD ON SUSPENDED SCAFFOLDING PLATFORM MUST BE UNIFORMLY DISTRIBUTED. PLATFORM MUST REMAIN LEVEL. HOISTS MUST BE OPERATED SIMULTANEOUSLY.
- 104. SUSPENDED SCAFFOLD RIGGING AND TIEBACKS MUST COMPLY WITH OSHA 29 CFR 1926.451(a) AND 1926.451(d) AND ANY APPLICABLE LOCAL REGULATIONS.


105. SUPPORTING STRUCTURE MUST HOLD 4 TIMES HOIST RATED CAPACITY

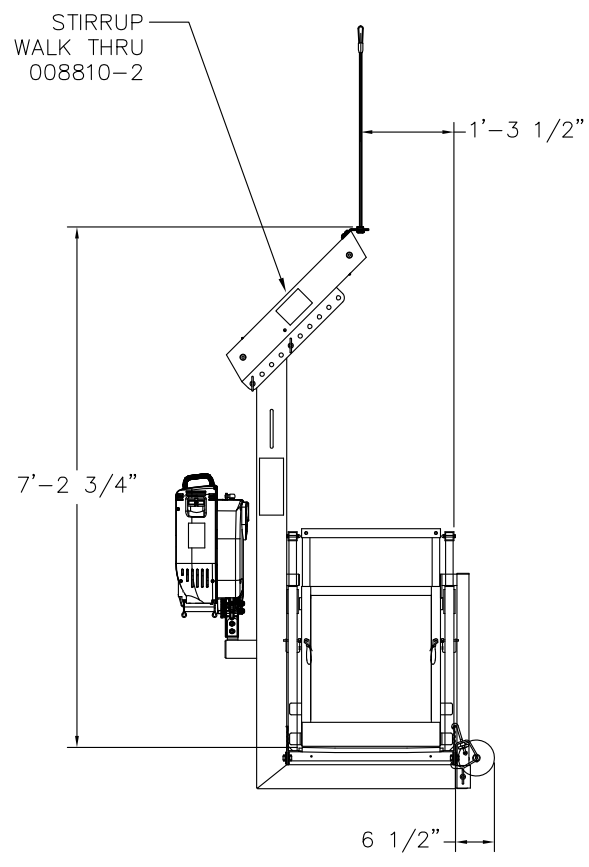
106. HOIST RATED CAPACITY MUST MEET OR EXCEED HALF THE COMBINED PLATFORM WEIGHT AND LIVE LOAD.

MAXIMUM PLATFORM CAPACITY

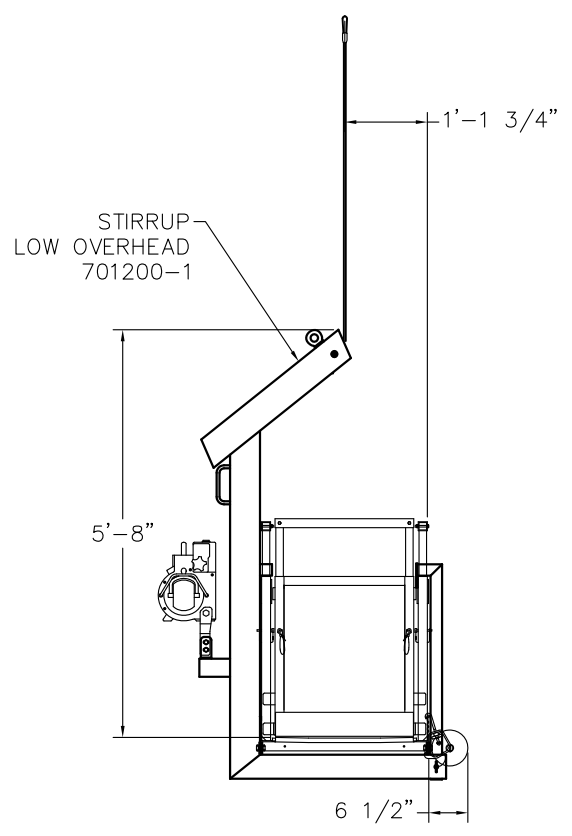
SEE TABLE 1 ON SHEET 3



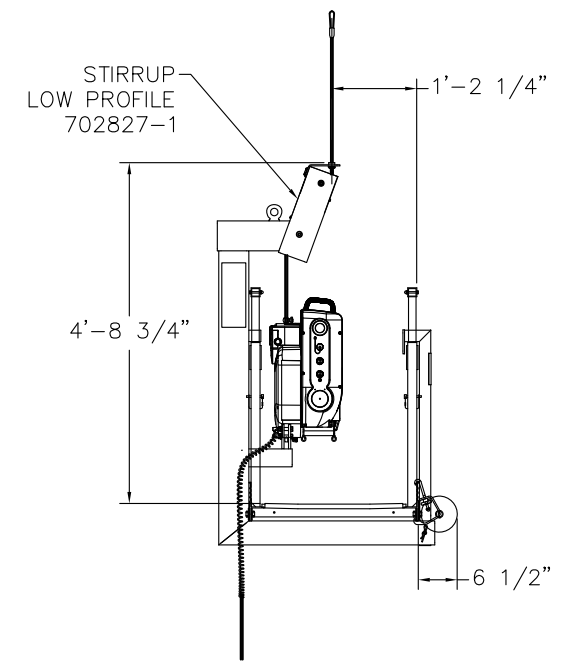
REV 1	ECO	BETA RELEASED	DATE	3-21-13	BY/TSM	CK/JTA
 A Division of SafeWorks, LLC 365 UPLAND DRIVE SEATTLE, WASHINGTON 98188			MATERIAL:			
			THIS DRAWING IS THE PROPERTY OF SAFEWORKS, LLC. AND IS NOT TO BE COPIED OR REPRODUCED WITHOUT THE WRITTEN CONSENT OF SAFEWORKS, LLC.			
DRAWN BY			DATE		TITLE	
TSM			3-21-13		SPIDER MOD PLATFORM	
ENG			SCALE		DRAWING NUMBER	
JTA			D 3/4":1'-0"		GA1003	
						1 OF 3




SECTION A-A
WITH WALK THRU STIRRUP
008810-2



SECTION A-A
WITH LOW OVERHEAD
701200-1



SECTION A-A
WITH LOW PROFILE STIRRUP
702827-1


REV 1	ECO	BETA RELEASED	DATE 3-21-13	BY TSM	CK JTA
 A Division of SafeWorks, LLC 365 UPLAND DRIVE SEATTLE, WASHINGTON 98188			MATERIAL:		
			THIS DRAWING IS THE PROPERTY OF SAFEWORKS, LLC. AND IS NOT TO BE COPIED OR REPRODUCED WITHOUT THE WRITTEN CONSENT OF SAFEWORKS, LLC.		
DRAWN BY TSM			DATE 3-21-13		
ENG JTA			SCALE D 3/4":1'-0"		
TITLE			DRAWING NUMBER		
SPIDER MOD PLATFORM			GA1003		
			2 OF 3		

PLATFORM LENGTH FEET	ALLOWABLE DOUBLE CANTILEVER IN FEET 702827-1/9005						MINIMUM PLATFORM WEIGHT LB	ALLOWABLE DOUBLE CANTILEVER IN FEET 701200-1/9005						MINIMUM PLATFORM WEIGHT LB	ALLOWABLE DOUBLE CANTILEVER IN FEET 008810-2/9005						MINIMUM PLATFORM WEIGHT LB
	500 LB/2 PERSONNEL		750 LB/3 PERSONNEL		1000 LB/4 PERSONNEL			500 LB/2 PERSONNEL		750 LB/3 PERSONNEL		1000 LB/4 PERSONNEL			500 LB/2 PERSONNEL		750 LB/3 PERSONNEL		1000 LB/4 PERSONNEL		
	MINIMUM	MAXIMUM	MINIMUM	MAXIMUM	MINIMUM	MAXIMUM		MINIMUM	MAXIMUM	MINIMUM	MAXIMUM	MINIMUM	MAXIMUM		MINIMUM	MAXIMUM	MINIMUM	MAXIMUM	MINIMUM	MAXIMUM	
20	0	4	0	4	0	3	736	0	5	0	4	0	3	740	0	5	0	4	0	3	800
21	0	5	0	4	0	3	784	0	5	0	4	0	3	788	0	5	0	4	0	4	848
22	0	5	0	4	0	3	792	0	5	0	4	0	4	796	0	5	0	4	0	4	856
23	0	5	0	4	0	4	805	0	5	0	4	0	4	809	0	6	0	5	0	4	869
24	0	5	0	4	0	4	820	0	6	0	4	0	4	824	0	6	0	5	0	4	884
25	0	5	0	5	0	4	828	0	6	0	5	0	4	832	0	6	0	5	0	4	892
26	0	6	0	5	0	4	874	0	6	0	5	0	4	878	0	6	0	5	0	5	938
27	0	6	0	5	0	4	856	0	6	0	5	0	4	860	0	7	0	5	0	5	920
28	0	7	0	5	0	5	897	0	7	0	6	0	5	901	0	7	0	6	0	5	961
29	0	7	0	6	0	5	912	0	7	0	6	0	5	916	0	7	0	6	0	5	976
30	0	7	0	6	0	5	892	0	7	0	6	0	5	896	0	8	0	6	0	5	956
31	0	8	0	6	0	5	940	0	8	0	6	0	5	944	0	8	0	7	0	5	1004
32	0	8	0	6	0	5	948	0	8	0	7	0	5	952	0	8	0	7	0	5	1012
33	0	8	0	7	0	5	961	0	8	0	7	0	5	965	0	9	0	7	0	5	1025
34	0	8	0	7	0	5	976	0	9	0	7	0	5	980	0	9	0	7	0	5	1040
35	0	9	0	7	0	5	984	0	9	0	7	0	5	988	0	9	0	7	0	5	1048
36	0	9	0	7	0	5	1030	0	9	0	8	0	5	1034	0	10	0	8	0	5	1094
37	0	9	0	8	0	5	1012	0	9	0	8	0	5	1016	0	10	0	8	0	5	1076
38	0	10	0	8	0	5	1053	0	10	0	8	0	5	1057	0	10	0	8	0	5	1117
39	0	10	0	8	0	5	1068	0	10	0	8	0	5	1072	0	10	0	9	0	5	1132
40	0	10	0	8	0	5	1048	0	10	0	9	0	5	1052	0	11	0	9	0	5	1112
41	0	11	0	9	1	5	1096	0	11	0	9	1	5	1100	0	11	0	9	1	5	1160
42	0	11	0	9	1	5	1104	0	11	0	9	1	5	1108	0	11	0	9	1	5	1168
43	0	11	0	9	2	5	1117	0	11	0	9	2	5	1121	0	12	0	10	2	5	1181
44	0	12	0	10	2	5	1132	0	12	0	10	2	5	1136	0	12	0	10	2	5	1196
45	0	12	0	10	3	5	1140	0	12	0	10	3	5	1144	0	12	0	10	3	5	1204
46	0	12	0	10	3	5	1186	0	13	0	10	3	5	1190	0	13	0	11	3	5	1250
47	0	13	0	10	4	5	1168	0	13	0	11	4	5	1172	0	13	0	11	4	5	1232
48	0	13	0	11	4	5	1209	0	13	0	11	4	5	1213	0	14	0	11	4	5	1273
49	0	13	0	11	5	5	1224	0	14	0	11	5	5	1228	0	14	0	11	5	5	1288
50	0	14	0	11	5	5	1204	0	14	0	11	5	5	1208	0	14	0	12	5	5	1268
51	0	14	1	12	NOT ALLOWED		1252	0	14	1	12	NOT ALLOWED		1256	0	15	1	12	NOT ALLOWED		1316
52	0	14	1	12	NOT ALLOWED		1260	0	15	1	12	NOT ALLOWED		1264	0	15	1	12	NOT ALLOWED		1324
53	0	15	2	12	NOT ALLOWED		1273	0	15	2	12	NOT ALLOWED		1277	0	15	2	13	NOT ALLOWED		1337
54	0	15	2	12	NOT ALLOWED		1288	0	15	2	13	NOT ALLOWED		1292	0	15	2	13	NOT ALLOWED		1352
55	0	15	3	13	NOT ALLOWED		1296	0	15	3	13	NOT ALLOWED		1300	0	15	3	13	NOT ALLOWED		1360
56	0	15	3	13	NOT ALLOWED		1342	0	15	3	13	NOT ALLOWED		1346	0	15	3	14	NOT ALLOWED		1406
57	0	15	4	13	NOT ALLOWED		1324	0	15	4	14	NOT ALLOWED		1328	0	15	4	14	NOT ALLOWED		1388
58	0	15	4	14	NOT ALLOWED		1365	0	15	4	14	NOT ALLOWED		1369	0	15	4	14	NOT ALLOWED		1429
59	0	15	5	14	NOT ALLOWED		1380	0	15	5	14	NOT ALLOWED		1384	0	15	5	15	NOT ALLOWED		1444
60	0	15	5	14	NOT ALLOWED		1360	0	15	5	14	NOT ALLOWED		1364	0	15	5	15	NOT ALLOWED		1424
61	1	15	6	15	NOT ALLOWED		1408	1	15	6	15	NOT ALLOWED		1412	1	15	6	15	NOT ALLOWED		1472
62	1	15	6	15	NOT ALLOWED		1416	1	15	6	15	NOT ALLOWED		1420	1	15	6	15	NOT ALLOWED		1480
63	2	15	7	15	NOT ALLOWED		1429	2	15	7	15	NOT ALLOWED		1433	2	15	7	15	NOT ALLOWED		1493
64	2	15	7	15	NOT ALLOWED		1444	2	15	7	15	NOT ALLOWED		1448	2	15	7	15	NOT ALLOWED		1508
65	3	15	8	15	NOT ALLOWED		1452	3	15	8	15	NOT ALLOWED		1456	3	15	8	15	NOT ALLOWED		1516
66	3	15	8	15	NOT ALLOWED		1498	3	15	8	15	NOT ALLOWED		1502	3	15	8	15	NOT ALLOWED		1562
67	4	15	9	15	NOT ALLOWED		1480	4	15	9	15	NOT ALLOWED		1484	4	15	9	15	NOT ALLOWED		1544
68	4	15	9	15	NOT ALLOWED		1521	4	15	9	15	NOT ALLOWED		1525	4	15	9	15	NOT ALLOWED		1585
69	5	15	10	15	NOT ALLOWED		1536	5	15	10	15	NOT ALLOWED		1540	5	15	10	15	NOT ALLOWED		1600
70	5	15	10	15	NOT ALLOWED		1516	5	15	10	15	NOT ALLOWED		1520	5	15	10	15	NOT ALLOWED		1580
71	6	15	11	15	NOT ALLOWED		1564	6	15	11	15	NOT ALLOWED		1568	6	15	11	15	NOT ALLOWED		1628
72	6	15	11	15	NOT ALLOWED		1572	6	15	11	15	NOT ALLOWED		1576	6	15	11	15	NOT ALLOWED		1636
73	7	15	12	15	NOT ALLOWED		1585	7	15	12	15	NOT ALLOWED		1589	7	15	12	15	NOT ALLOWED		1649
74	7	15	12	15	NOT ALLOWED		1600	7	15	12	15	NOT ALLOWED		1604	7	15	12	15	NOT ALLOWED		1664
75	8	15	13	15	NOT ALLOWED		1608	8	15	13	15	NOT ALLOWED		1612	8	15	13	15	NOT ALLOWED		1672
76	8	15	13	15	NOT ALLOWED		1654	8	15	13	15	NOT ALLOWED		1658	8	15	13	15	NOT ALLOWED		1718
77	9	15	14	15	NOT ALLOWED		1636	9	15	14	15	NOT ALLOWED		1640	9	15	14	15	NOT ALLOWED		1700
78	9	15	14	15	NOT ALLOWED		1677	9	15	14	15	NOT ALLOWED		1681	9	15	14	15	NOT ALLOWED		1741
79	10	15	15	15	NOT ALLOWED		1692	10	15	15	15	NOT ALLOWED		1696	10	15	15	15	NOT ALLOWED		1756
80	10	15	15	15	NOT ALLOWED		1672	10	15	15	15	NOT ALLOWED		1676	10	15	15	15	NOT ALLOWED		1736

Requires 1,500 lb. hoist

Contact Spider Product Support for Load Distribution Guidance

TABLE 1

REV 1	ECO BETA RELEASED	DATE	3-21-13	BY TSM	CK JTA
 A Division of SafeWorks, LLC		MATERIAL:			
		THIS DRAWING IS THE PROPERTY OF SAFEWORKS, LLC. AND IS NOT TO BE COPIED OR REPRODUCED WITHOUT THE WRITTEN CONSENT OF SAFEWORKS, LLC.			
DRAWN BY TSM		DATE 3-21-13		TITLE	
ENG JTA		SCALE NONE		DRAWING NUMBER	
				SPIDER MOD PLATFORM	
				GA1002	
				3 OF 3	