

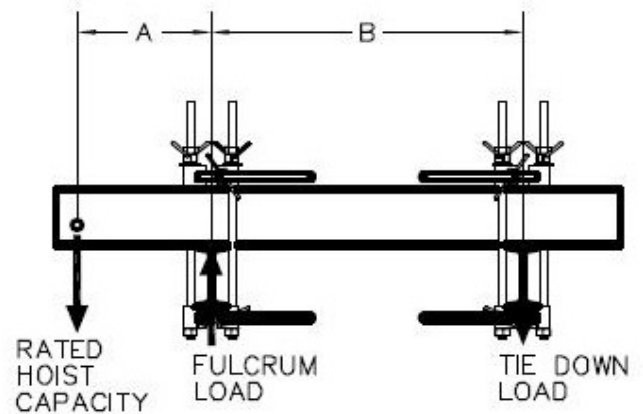
# New Product Alert – Rigging Device

## Beam Tie-Down Assembly 702096-1



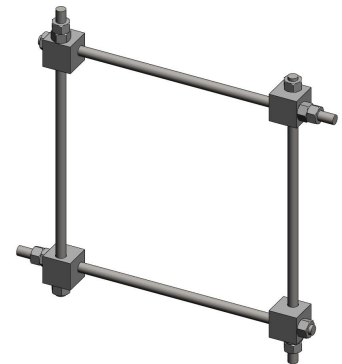
**Engineered connection for beams to structural steel speeds connection to bridge decks and industrial plant facilities.**

- Engineered system replaces any fishplate or sandwich beam connection
- Use with 8-0217 series, SA-1088, 700751-1, 700809-1 and 700819-1 beams stacked to a maximum height and width of 16 inches
- 2 Assemblies required per beam
- Heavy duty steel construction
- Thorough labeling ensures worry-free installation
- Built by Spider in the USA



<b>Maximum Hoist Capacity:</b>	<b>1500 lbs</b>
<b>Maximum Counterweight Load:</b>	<b>4000 lbs</b>
<b>Weight:</b>	<b>26 lbs</b>
<b>Outreach (A):</b>	<b>Per outrigger label</b>
<b>Backspan (B):</b>	<b>Minimum is 1.5 times outreach</b>

Supporting structure must be capable of supporting imposed loads.



**Call Spider today to discuss your rental needs: (877) 774-3370**

