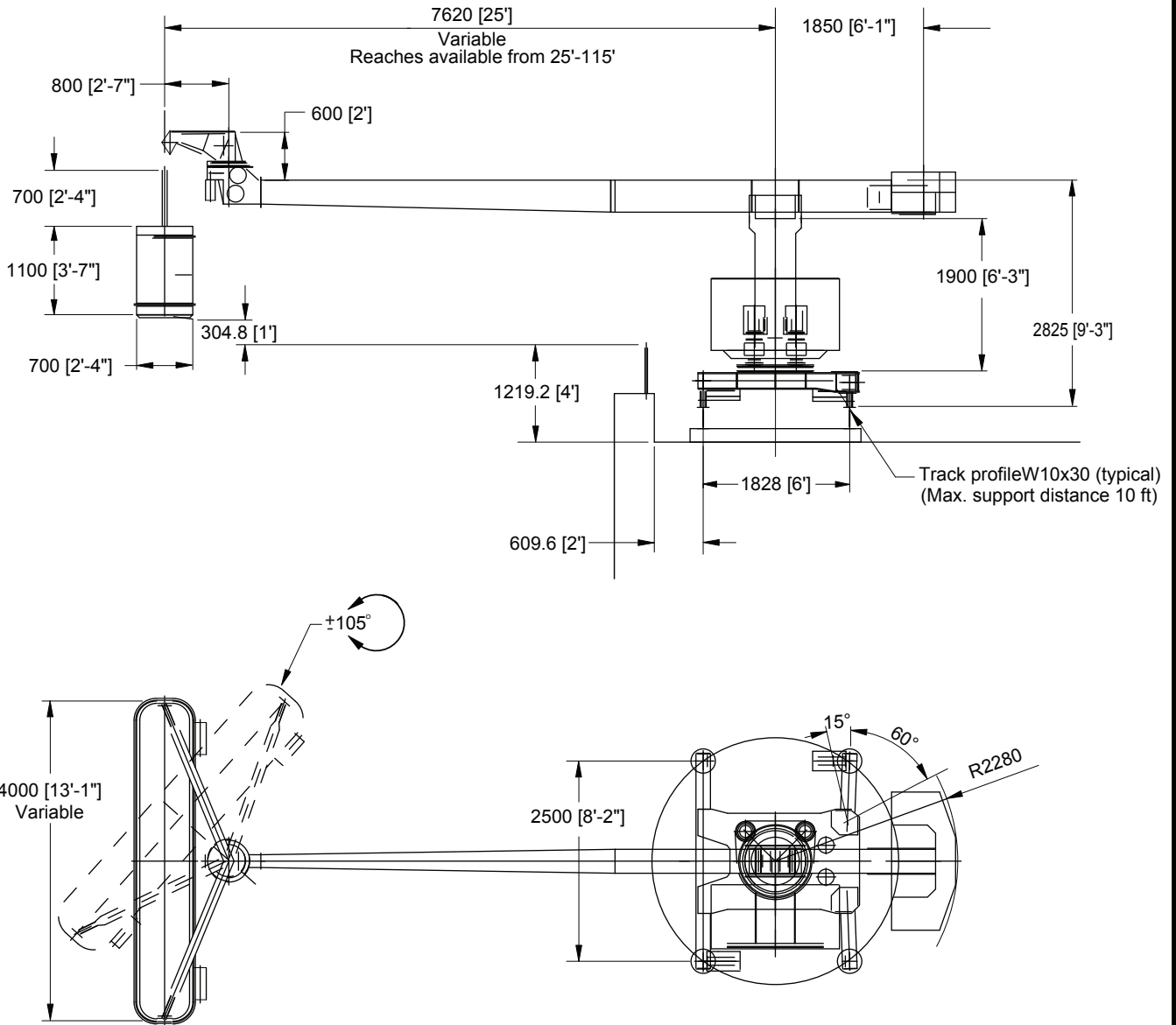


**TYPE 6 - FIXED BOOM; CRANE STYLE ROOF MACHINE WITH MULTI-LAYER DRUM HOIST**



**Description:**

The Type 6 track-based crane-like system is characterized by a long jib with rotating head. This system is suitable for overcoming even substantial terracing. Thereby a single unit of this type, installed in the right position, is able to cover an entire building complex, including its terracing and annexes.

Spider Permanent Installations  
365 Upland Drive  
Tukwila, WA 98188 USA

Phone: (206) 575-6445 / Fax: (206) 575-6240  
E-mail: spiderpi@safeworks.com  
Internet: www.SpiderStaging.com/pi