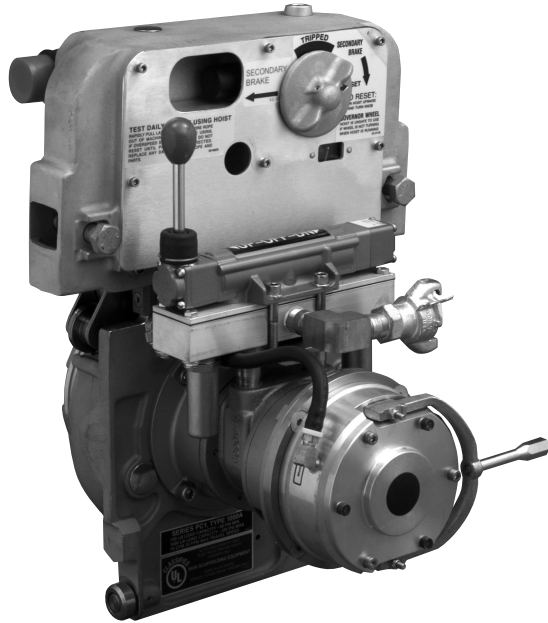


SC30 Air Spider Climber



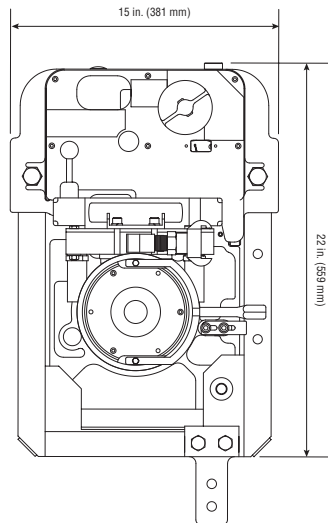
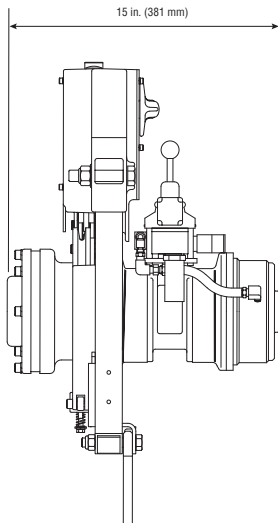
The SC30 is the scaffolding industry's premier heavy-duty, air driven traction hoist. Spider relies on the dependable workhorse performance of the SC30 in its rental fleet.

Modular construction allows for quick and easy use, inspection and maintenance (with 2 bolt disassembly).

Key features:

- Built-in overspeed brake
- Controlled descent
- Emergency stop button
- Tolerant light touch reeving system
- Available on special order basis only

Can be combined with a variety of stirrups and platforms



Specifications:	SC30
Gross Load Capacity:	1,000 lb (453.6 kg) at 100 psi 1,250 lb (567 kg) at 120 psi
Dimensions:	15 x 15 x 22 in. (381 x 381 x 559 mm)
Weight:	115 lb (52.2 kg)
Travel Speed:	35 ft/min (10.7 m/min)
Power:	100/120 psi @ 80 cfm
Construction:	Aluminum and steel