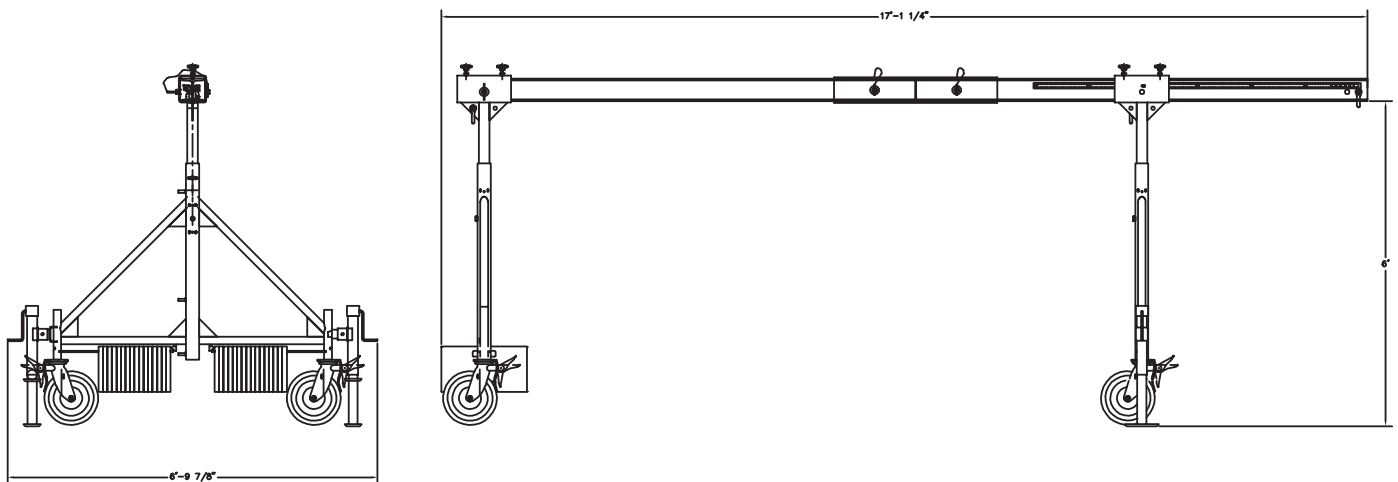


Rolling & Fixed Outrigger Gantry Stands (701960-1 & 701960-2)

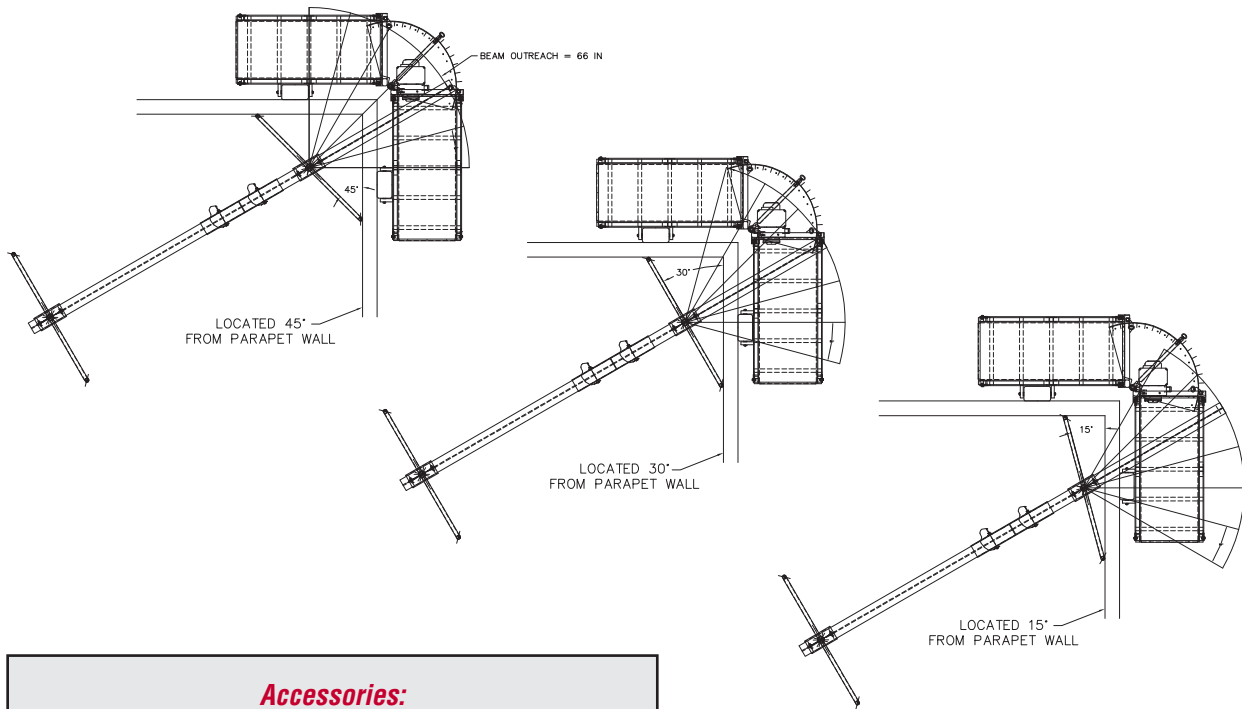
Specifications:	701960-1
Load/Capacity:	8,400 lb (3,810 kg) fulcrum load
Weight:	65 lb (29.5 kg) heaviest single piece
Outreach:	750 lb (340.2 kg) at 74 in. (1,880 mm) each 1,000 lb (453.6 kg) at 66 in. (1,676 mm) each 1,250 lb (567 kg) at 54 in. (1,372 mm) each 1,500 lb (680.4 kg) at 48 in. (1,219 mm) each
Dimensions:	6 ft (1.8 m) wide 4 ft (1.2 m) minimum height 6 ft (1.8 m) maximum height under the beam

Key Features:

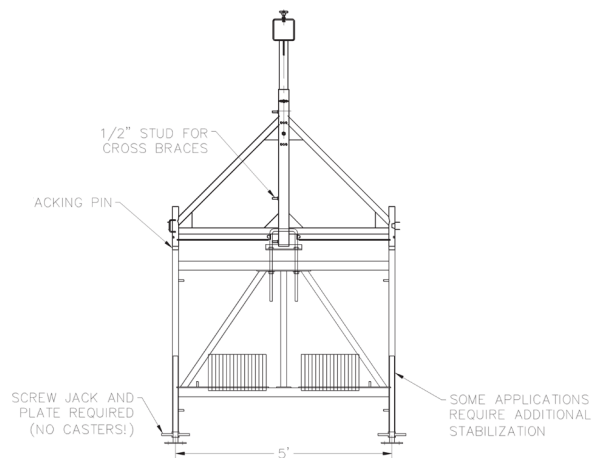
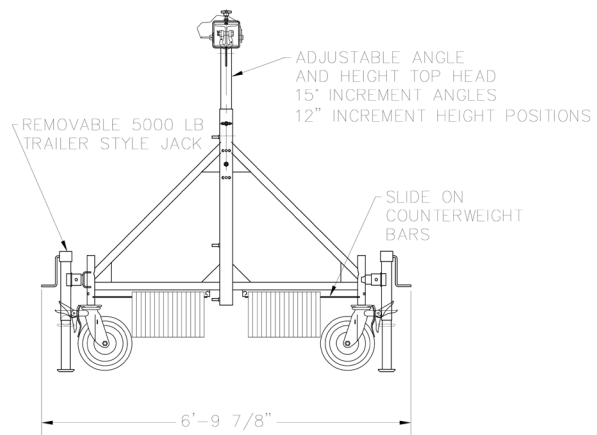
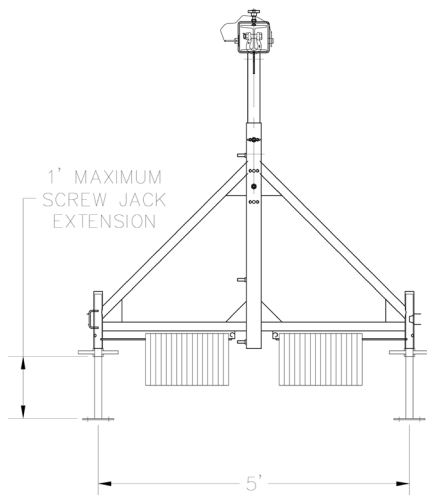
- Clears 6 ft (1.8 m) walls
- Available as a rolling outrigger system (701960-1) with casters and jacks or as a simple frame with screw jacks and base plates (701960-2)
- Accepts 8 in. (203 mm) 750 lb. (340.2 kg) capacity (A-11394) or 12 in. (305 mm) 1,200 lb. (544.3 kg) casters (A-11835)
- Compatible with all Spider 5 x 5 beam assemblies (8-0217-XX)
- Uses counterweight quantities as listed on beam label - no counterweight formula required
- Support head telescopes vertically in 12 in. (305 mm) increments to clear varying parapet heights and allow multiple rigs to be stacked into corners
- Head angle adjustable in 15° increments from 0° to 45° to reduce beam reach in corners
- Combination of clearance and rotating heads permits travel around most roof mounted building components (HVAC units, antennas, transmitters, etc.)
- Increased beam height using Outrigger Beam Support frames (A-11393) or scaffold frames and cross brace
- Space for up to 3,200 lb (1,451.5 kg) of counterweights on frame
- Shackle anchorage point for tieback cables, connection to roof top structural members or counterweights placed on the roof surface
- Maximum of 1,000 lb (453.6 kg) of counterweight permitted when rolling to next drop
- Built by Spider in the USA



Refer to outrigger counterweight and fulcrum point load charts for leg loads.
The fulcrum and counterweight loads are split evenly between each leg.



Accessories:
Casters: A-11394 8 in. (203 mm) or
A-11835 12 in. (305 mm)



Outrigger stands combine with scaffold tower to clear higher parapet.