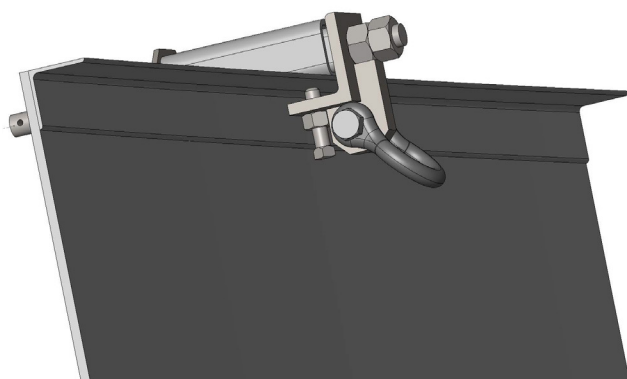
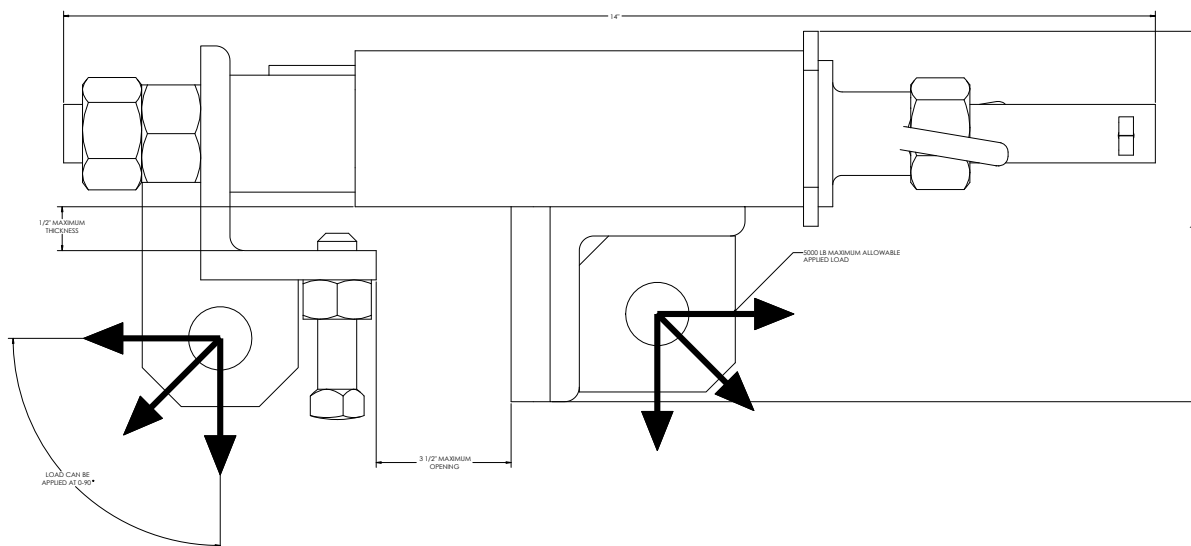


# Adjustable Tank Edge Clamp (705771-1)

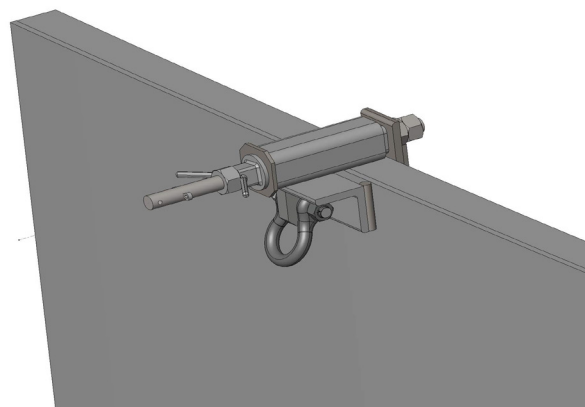
**Designed for equipment tie-back or fall arrest anchorage. Reach is not designed for use as an equipment rigging device.**

- Adjustable for different size tank walls
- Easily mountable
- Two rigging holes so mounting can occur inside or outside a tank, depending on the wall's construction
- Lightweight design
- Rugged, durable construction
- Made by Spider in the USA

|   |                       |
|---|-----------------------|
| <b>Specifications:</b>                                | <b>705771-1</b>       |
| <b>Max Capacity:</b>                                  | 5,000 lb (2,268 kg)   |
| <b>Max. personnel weight for fall arrest:</b>         | 310 lb max (140.6 kg) |
| <b>Max angle thickness:</b>                           | 0.5 in. (13 mm)       |
| <b>Max angle leg length plus tank wall thickness:</b> | 3.5 in. (89 mm)       |



Rear View



Front View