

Stirrup Assembly (9-3)



This stirrup assembly attaches at deck level of fixed length, ladder style pick boards or planks.

Platform width is approximately 28 in. (711 mm) wide.

Built by Spider in the USA

Specifications:	9-3
Rated capacity:	1,000 lb (453.6 kg)
Weight:	51 lb (23.1 kg)
Construction:	Steel

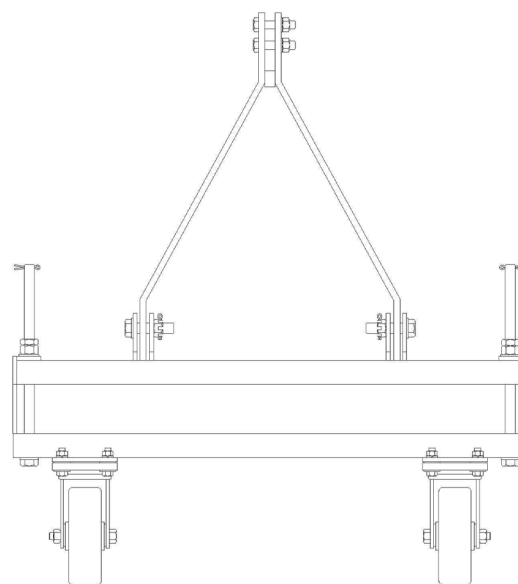
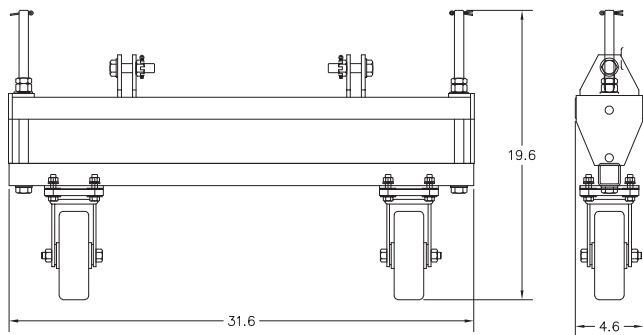
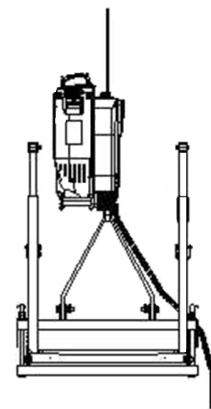
For higher hoist position replace the 2-731 A-Frame stirrup with 700958-1 to make a total stirrup height of 54 in. (1,372 mm)

2-731 and 700958-1 available separately

Spider rents planks in some locations. Widths, lengths and load capacities vary. **Contact your Spider professional for more details.**

Protect your toeboards!

A 60.591 Rope Guiding Spring and a 6685 Outlet Spring Bracket easily attach to the bottom of the hoist with just a 3/4 in. (19 mm) wrench to spare your toeboards from damage often caused by wire rope while using the Cross Beam Assembly.



93-001 is used with SC30 and SC40 long frame stirrups (BB-002)

9-3 connects SC1000 hoists to plank-style platforms. 93-001 and 700958-1 connect Zmac/1000® to planks.