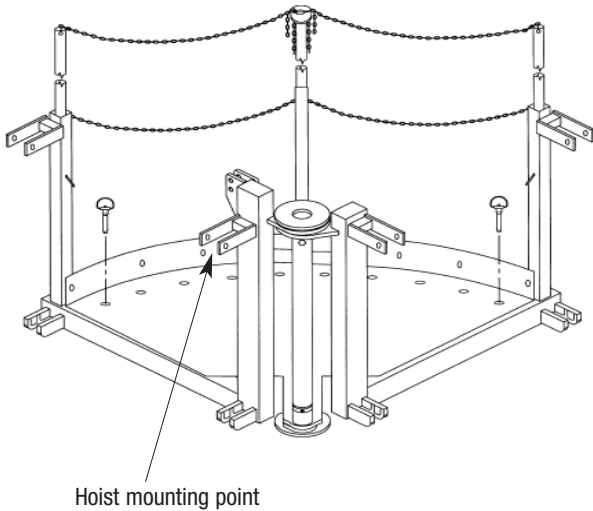


# Corner Configurations



## Corner Adapter (008812-1)

The corner adapter joins modular platforms so workers can go around the corner of the building or architectural detail or around circular structures. Angles from 7.5-120° are possible. A traction hoist mount is located on the corner for increased stability without the extra weight and expense of a walk thru stirrup. Countless platform configurations are available with this versatile accessory. For more information on additional configurations, contact your Spider professional.

### Key Features:

- Allows adjustability in 7.5° increments from 7.5 to 120°
- Positions hoist right at corner with the **only structurally integrated corner section with hoist mount on the market**
- Improved platform stability
- **Extensive applications library available**

<b>Specifications:</b>	<b>008812-1</b>
<b>Weight:</b>	128 lbs. (58.1 kg)
<b>Dimensions:</b>	32 x 32 x 46 in. (813 x 813 x 1,168 mm)
<b>Construction:</b>	Steel



1000 lb. (453.6 kg) Rated  
2 Required

Maximum Angle 180° (Straight)  
Minimum Angle 120°

Corner 1 Required

**Maximum rated live load**  
500 lbs. (226.8 kg)

10 ft (3 m) platform sections used for configuration.

1000 lb. (453.6 kg) Rated  
2 Required

Maximum Angle 180° (Straight)  
Minimum Angle 135°

Corner 2 Required

**Maximum rated live load**  
500 lbs. (226.8 kg)

5 ft (1.5 m) platform sections used for configuration.

1000 lb. (453.6 kg) Rated  
2 Required

Maximum Angle 180° (Straight)  
Minimum Angle 90°

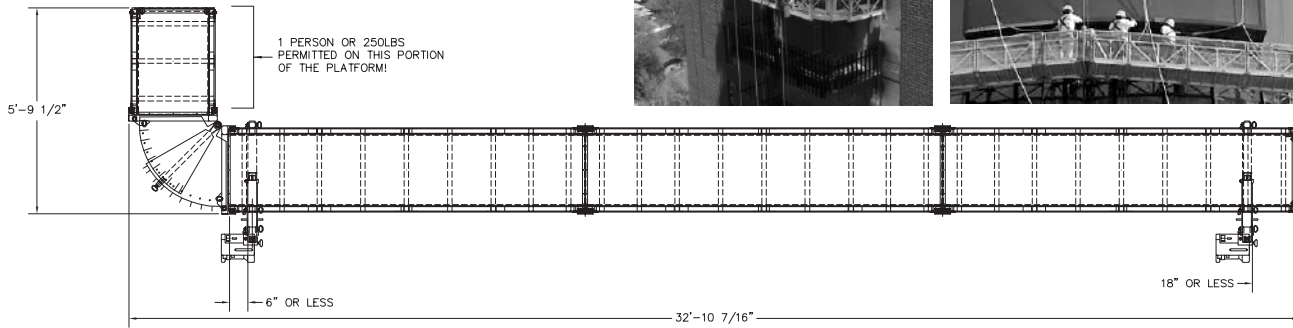
Corner 1 Required

**Maximum rated live load**  
500 lbs. (226.8 kg)

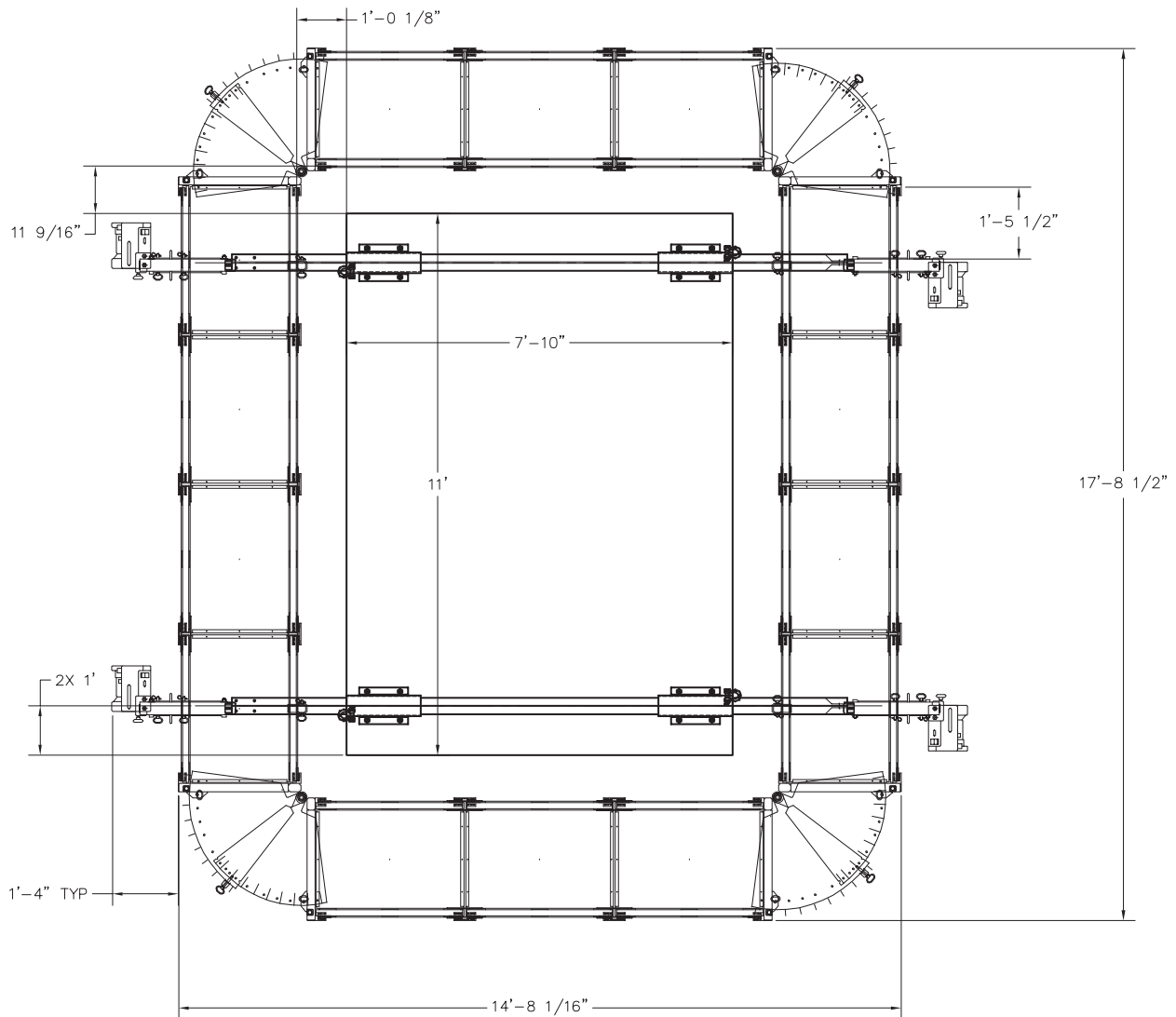
5 ft (1.5 m) platform sections used for configuration.

**For more information,  
call: 1-877-774-3370**

Recommended mounting for SC1000/1500 uses two 8-0406 20° adapters.



**Two suspension point angled platform**



**Four suspension point square platform**