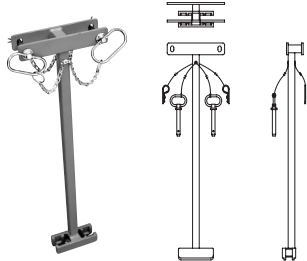
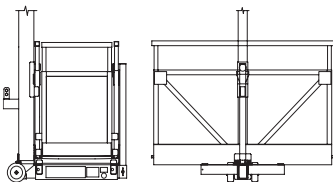
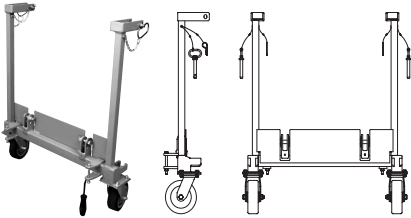
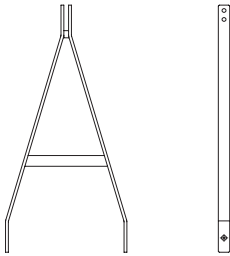
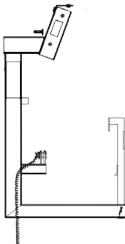
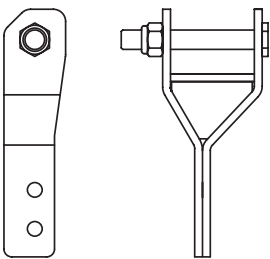
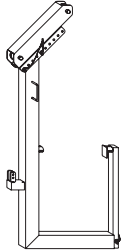
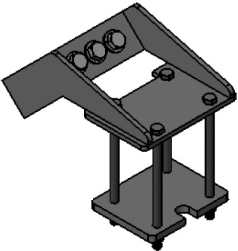
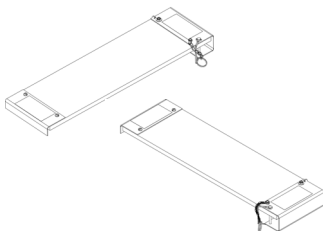
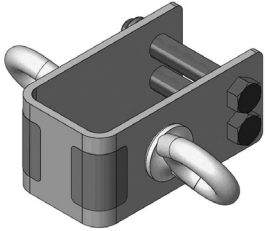
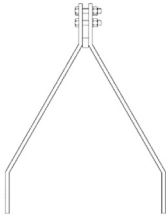

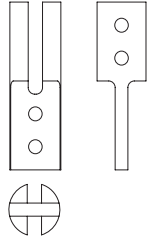
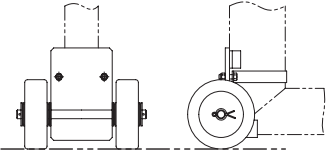
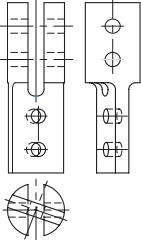
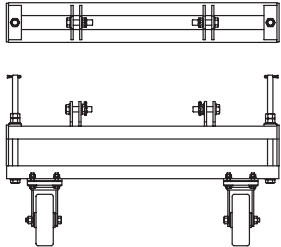
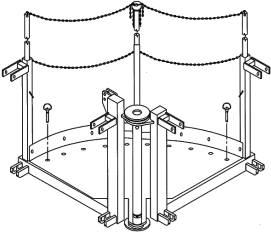

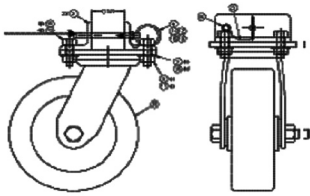



Modular Platform Accessories

<p>Connector (4970) Weight: 7 lb (3 kg)</p>		<p>Single Line Kit (701184-1) Weight: 54 lb (24.5 kg) Consists of a top and bottom support and a wheel assembly. This kit makes a 3, 5 or 7 ft (1, 1.5 or 2.1 m) section into a 750 lb. (340.2 kg) maximum load single line work cage, using endgates to finish the cage.</p>	
<p>End Adapter/Stirrup with Casters (4971) Weight: 37 lb (17 kg)</p>		<p>Zmac/1000® Stirrup (700958-1) Weight: 16 lb (7.3 kg)</p>	
<p>Low Profile Stirrup (702827-1) Weight: 108 lb (49 kg) Dimensions: 57 in. (1.5 m) from floor board to top of stirrup</p>		<p>Zmac/1000® Adapter (700956-1) Weight: 3 lb (1.4 kg)</p>	
<p>Walk Thru Stirrup (008810-2) Weight: 140 lb (63.5 kg)</p>		<p>Inlet Roller Assembly (705575-1) Weight: 3 lb (1.4 kg)</p>	
<p>Drill Bench (707034-1) Weight: 4 lb (1.8 kg)</p>		<p>Anchor Safety Assembly (705465-1) Weight: 7 lb (3.2 kg)</p>	
<p>A-Frame Stirrup Assembly (2-731) Weight: 8 lb (3.6 kg) Used with End Adapter (4971) or Cross Beam Assembly (93-001)</p>		<p>Kick Stand Assembly (705413-1) Weight: 12 lb (5.4 kg)</p>	

<p>90° Adapter (8-0278) Weight: 3 lb (1.4 kg) Used with Walk Thru Stirrup (008810-2) and Corner Adapter (008812-1) Fasteners included</p>		<p>Walk Thru Stirrup Wheel Assembly (700777-1) Weight: 12 lb (5.4 kg)</p>	
<p>20° Adapter (8-0406) Weight: 3 lb (1.4 kg) Used with Walk Thru Stirrup (008810-2) Fasteners included</p>		<p>Cross Beam Assembly (93-001) Weight: 45 lb (20.4 kg) Combine with 2-731 for SC1000/Zmac/1000® models or with BB-002 for SC30/SC40 models to make a stirrup for planks or some modular platforms.</p>	
<p>Corner Adapter (008812-1) Weight: 128 lb (58.1 kg)</p>		<p>Endgate Assembly (008811-2) Weight: 12 lb (5.4 kg)</p>	
<p>Caster (4986-01) Weight: 5.4 lb (2.6 kg)</p>		<p>9-3 Stirrup Assembly Weight: 59 lb (26.8 kg) Combines 93-001 and 2-731 for SC1000 models.</p>	

Call or click for more information
1-877-774-3370
www.spiderstaging.com