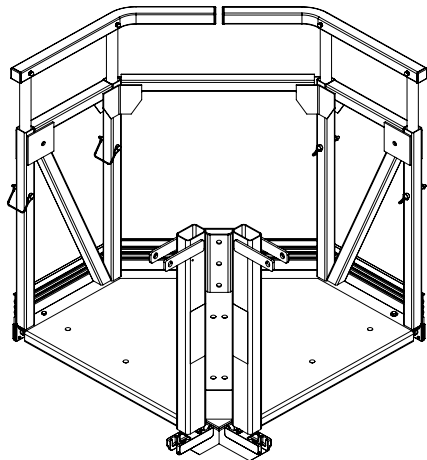


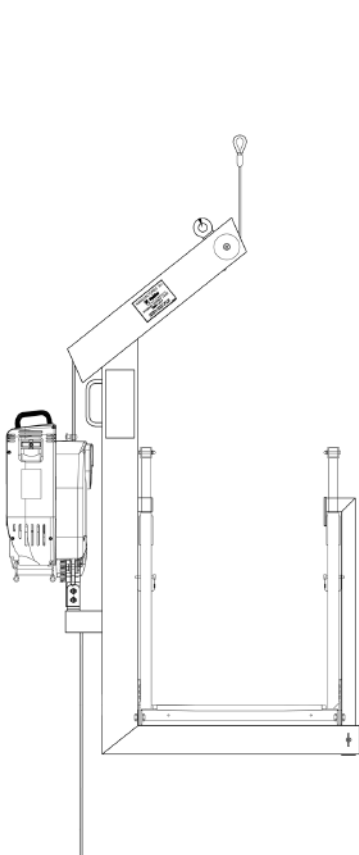
90° Corner Section (706750-1)



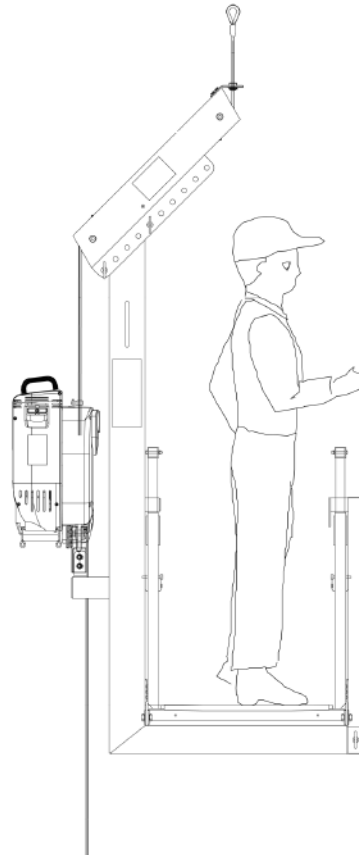
Specifications:	706750-1
Weight:	97 lbs. (44 kg)
Dimensions:	32 x 32 x 46 in. (813 x 813 x 1,168 mm)
Construction:	Steel & aluminum



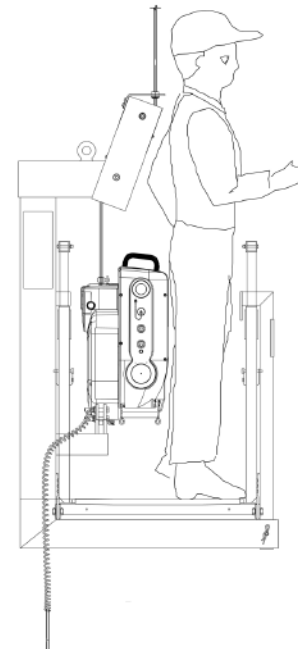
Stirrup Options for Cantilevered Platforms



701200-1
Low Overhead Stirrup Assy



008810-2
Walk Thru Stirrup Assy



702827-1
Low Profile Stirrup

Specifications:	701200-1	008810-2	702827-1
Weight:	110 lbs. (49.9 kg)	140 lbs (63.5 kg)	108 lbs. (49 kg)
Dimensions:			
Width:	49 5/16 in. (1.3 m)	49 1/4 in. (1.3 m)	36 in. (0.9 m)
Height from platform deck to uppermost point on stirrup:	68 1/16 in. (1.7 m)	86 1/4 in. (2.2 m)	56 15/16 in. (1.5 m)
Additional height of this stirrup compared to 702871-1:	11 1/8 in. (0.3 m)	29 3/8 in. (0.8 m)	0 in.
Distance of suspension wire rope to front edge of platform:	16 13/16 in. (0.4 m)	Varies from 18 3/8 in. (0.5 m) to 26 5/16 in. (0.7 m)	17 1/8 in. (0.4 m)