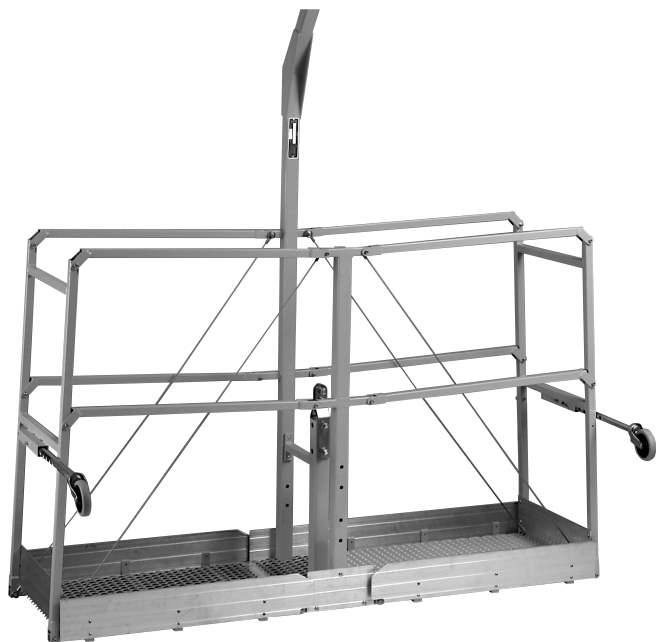


Fold-Up Work Cage (P-00130)



6 ft (1.8 m) Internal Universal Mount Work Cage

- Steel construction
- Compatible with SC1000, Zmac/1000®, SC40, SC30 and most brands of traction hoist

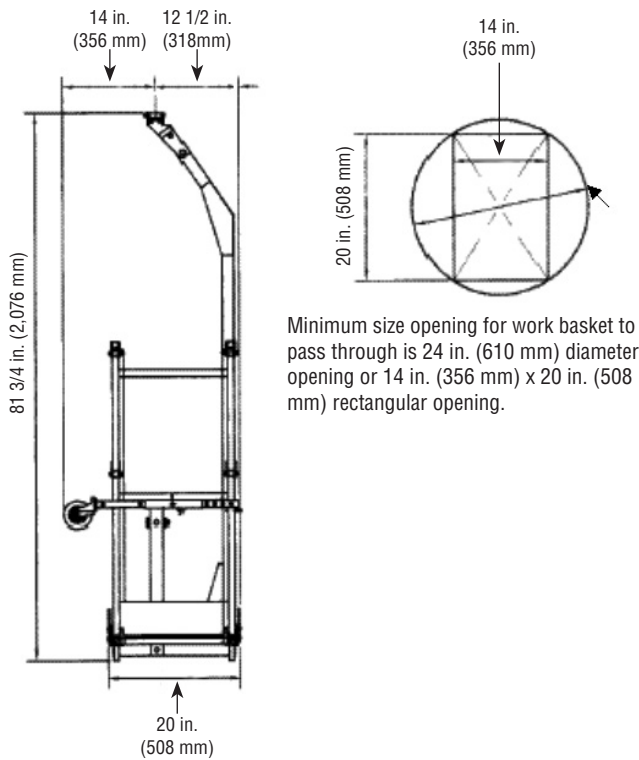
Key features:

- Lightweight
- Compact
- Easy assembly
- Powder-coated to prevent rust and lengthen product life
- Folds up for easy storage
- Mesh floors allow water to escape rather than collect in the cage – eliminates possibility of warping and reduces potential electrical problems
- Includes roller bumpers and attached tailboards that do not need to be disassembled before storage
- Passes through a 24 in. (610 mm) diameter opening or through a 13 x 20 in. (330 x 508 mm) rectangular opening
- The toe boards are permanently attached.
- The gooseneck has a roller system for the wire rope guide.
- The rollers are attached with mounted brackets instead of U-bolts.

For welding installation details, see pages 63-64.

Specifications:	Gross Load Capacity:	Dimensions:		Weight:	Maximum Live Load:
		Fully Expanded	Collapsed		
P-00130-1 8 ft. (2.4 m) Internal Mount	1,000 lb (453.6 kg)	96 x 19 7/8 x 81 1/2 in. (2440 x 505 x 2070 mm)	14 x 19 7/8 x 88 5/8 in. (356 x 505 x 2250 mm)	163 lb (73.9 kg)	500 lb (226.8 kg)
P-00130-2 8 ft. (2.4 m) External Mount	1,000 lb (453.6 kg)	96 x 25 1/8 x 82 5/32 in. (2440 x 638 x 2090 mm)	14 x 25 1/8 x 88 5/8 in. (356 x 638 x 2250 mm)	168 lb (76.2 kg)	500 lb (226.8 kg)
P-00130-3 6 ft. (1.8 m) Internal Mount	1,000 lb (453.6 kg)	72 x 19 7/8 x 81 1/2 in. (1830 x 505 x 2070 mm)	14 x 19 7/8 x 81 1/2 in. (356 x 505 x 2070 mm)	151 lb (68.5 kg)	500 lb (226.8 kg)
P-00130-4 6 ft. (1.8 m) External Mount	1,000 lb (453.6 kg)	72 x 25 1/8 x 82 5/32 in. (1830 x 638 x 2090 mm)	14 x 25 1/8 x 82 5/32 in. (356 x 638 x 2090 mm)	156 lb (70.8 kg)	500 lb (226.8 kg)
P-00130-5 4 ft. (1.2 m) External Mount	1,000 lb (453.6 kg)	48 x 25 1/8 x 82 5/32 in. (1220 x 638 x 2090 mm)	14 x 25 1/8 x 82 5/32 in. (356 x 638 x 2090 mm)	132 lb (59.9 kg)	500 lb (226.8 kg)

Call or click for more information
1-877-774-3370
www.spiderstaging.com



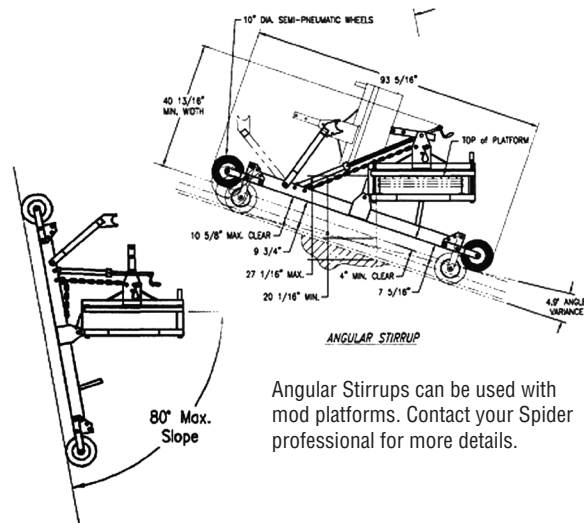
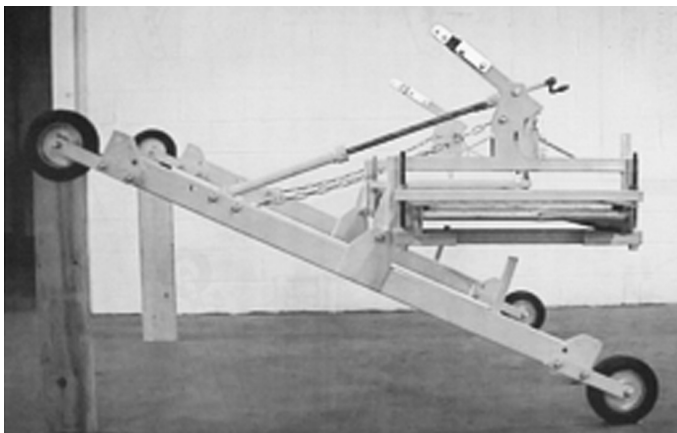
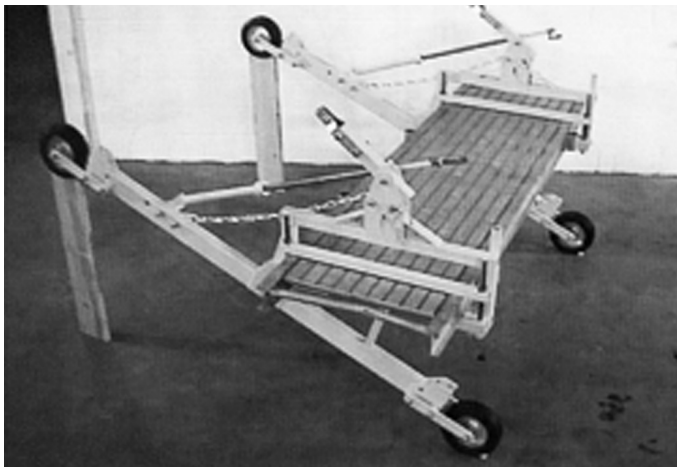
6 ft. (1.8 m) Internal Universal Mount



6 ft. (1.8 m) Internal Universal Mount, shown folded for storage or opening

6 ft. (1.8 m) Internal Universal Mount Work Cage is depicted, but various models are available. See specifications on page 60 or call Spider for details: 1-877-774-3370.

Angular Stirrups (P-00247-201)



Angular Stirrups can be used with mod platforms. Contact your Spider professional for more details.