



Modulo[®] 18



INDUSTRIAL PRODUCT OFFERINGS

Key Features:

- All components fit through an 18 in. (450 mm) circular opening.
- Walk thru stirrup allows boiler makers to get outside of the hoists to work in the boiler corners.
- Longer platform length—six 7 ft 7 in. (2.3 m) sections create a 45 ft 8 in. (13.9 m) platform with a rated load of 750 lbs. (340.2 kg).
- Modular floor construction allows for individual piece replacement rather than scrapping the entire section if damaged.
- No additional floor pins needed to secure components—saves time spent rounding up forgotten pins.
- Safe Fix pins are the one step “insert and snap” method of assembling Modulo[®] platform components. Slotted pins are locked in place by a spring mounted on the U-frame or end frame. The red pin head and horizontal slot assure operators that the pins are fully engaged and the connection between sections is complete.
- Safe Fix pins are lanyarded to the U-frame and end frame to avoid a dropping hazard—no cotter or hitch pin is required.
- Some wall rollers fit in toeboard grooves of the sideframe. Other wall rollers clamp over toeboards.
- Don't see the configuration you need? Contact your Spider professional for more information.

Specifications

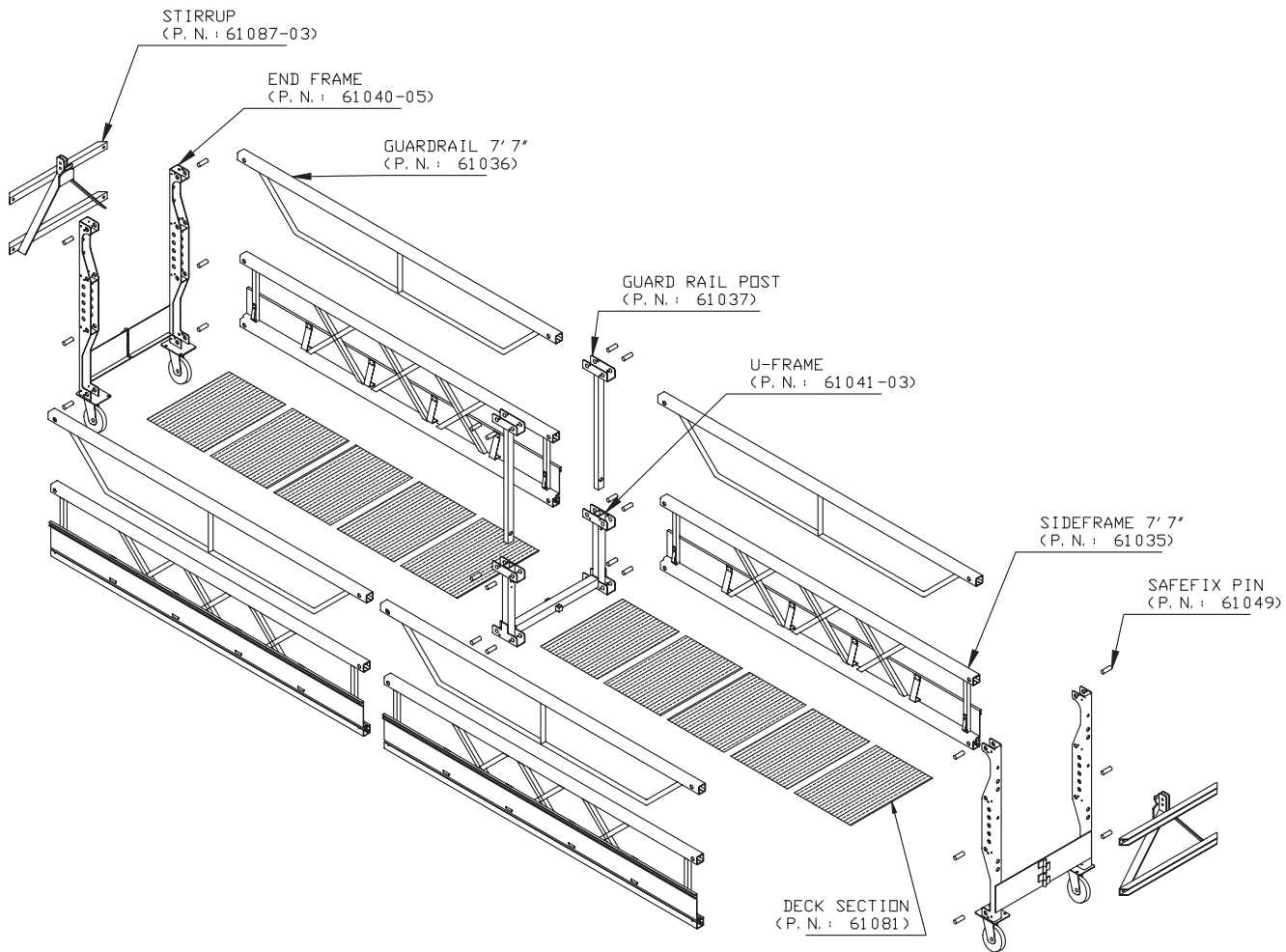
Weight: See chart below

Dimensions: See chart below

Construction: Aluminum sections; steel connectors and end frames

Platform with cantilever (3.3 ft [1 m])

Length	Rated Load/ Self-Weight lbs. (kgs)	Deck Section 61.081	7 ft 7 in. (2.3 m) Side Frame 61.035	Guard Rail 61.036	U-Frame 61.041-03	Guard Rail Post 61.037	End Frame 61.040-05
7 ft 7 in. (2.3 m)	1,000 (453.6)/280 (127)	5	2	2	-	-	2
15 ft 5 in. (4.7 m)	1,000 (453.6)/420 (190.5)	10	4	4	1	2	2
22 ft 6 in. (6.9 m)	1,000 (453.6)/565 (256.3)	15	6	6	2	4	2
30 ft 7 in. (9.3 m)	1,000 (453.6)/705 (319.8)	20	8	8	3	6	2
38 ft 2 in. (11.6 m)	750 (340.2)/745 (337.9)	25	10	10	4	8	2
45 ft 8 in. (13.9 m)	750 (340.2)/990 (449.1)	30	12	12	5	10	2



Modulo 18 Components

Part Number	Description	Weight (lb) each	Subtotal (kg)	Length (ft)	Length (m)
61.035	Frame; Side; 2.3 m	28	12.7	7.5	2.3
61.035-0837	Frame; Side; 0.95 m	8.8	4	3.1	1.0
61.035-1289	Frame; Side; 1.40 m	14.6	6.6	4.6	1.4
61.035-1741	Frame; Side; 1.85 m	19.6	8.9	6.1	1.9
61.036	Guard rail; 2.3 m	10	4.5	7.5	2.3
61.036-0837	Guard rail; 0.95 m	4.6	2.1	3.1	1.0
61.036-1289	Guard rail; 1.40 m	7.6	3.4	4.6	1.4
61.036-1741	Guard rail; 1.85 m	8.3	3.7	6.1	1.9
61.037	Guard rail; Post	7.4	3.4		
61.040-05	Endframe; Astro	41	18.6		
61.041-03	U-frame	27	12.2		
61.081	Deck; 0.45 m	4	1.8		
61.087-03	Stirrup	22	10.0		
9-3	Stirrup assy; Complete	45	20.4		

For more information, call: 1-877-774-3370

Modulo® 18 Configurations

INDUSTRIAL PRODUCT OFFERINGS

Platform Length		Platform Weight		Platform Rating	Frame; Side; 0.95 m; 61.035-0837	Frame; Side; 1.40 m; 61.035-1289	Frame; Side; 1.85 m; 61.035-1741	Frame; Side; 2.3 m; 61.035	Guard Rail; 0.95 m; 61.036-0837
ft	m	lbs.	kg	lbs. (kg)	Qty req'd	Qty req'd	Qty req'd	Qty req'd	Qty req'd
3.1	1.0	190.4	86.4	1,000 (454)	2	0	0	0	2
4.6	1.4	212.0	96.2	1,000 (454)	0	2	0	0	0
6.1	1.9	227.3	103.1	1,000 (454)	0	0	2	0	0
7.5	2.3	251.6	114.1	1,000 (454)	0	0	0	2	0
9.2	2.8	303.9	137.8	1,000 (454)	2	0	2	0	2
10.7	3.3	328.2	148.9	1,000 (454)	2	0	0	2	2
12.1	3.7	349.8	158.7	1,000 (454)	0	2	0	2	0
13.6	4.2	365.1	165.6	1,000 (454)	0	0	2	2	0
15.1	4.6	389.4	176.6	1,000 (454)	0	0	0	4	0
16.7	5.1	441.7	200.4	1,000 (454)	2	0	2	2	2
18.2	5.6	463.4	210.1	1,000 (454)	0	2	2	2	0
19.7	6.0	487.6	221.2	1,000 (454)	0	2	0	4	0
21.2	6.5	502.9	228.1	1,000 (454)	0	0	2	4	0
22.6	6.9	527.2	239.1	1,000 (454)	0	0	0	6	0
24.3	7.4	579.5	262.9	1,000 (454)	2	0	2	4	2
25.7	7.9	601.1	272.7	1,000 (454)	0	2	2	4	0
27.2	8.3	616.4	279.6	1,000 (454)	0	0	4	4	0
28.7	8.8	640.7	290.6	1,000 (454)	0	0	2	6	0
30.2	9.2	665.0	301.6	1,000 (454)	0	0	0	8	0
31.8	9.7	714.6	324.1	750 (340)	0	2	4	4	0
33.3	10.2	729.9	331.1	750 (340)	0	0	6	4	0
34.9	10.7	791.2	358.9	750 (340)	2	2	4	4	2
36.4	11.1	812.8	368.7	750 (340)	0	4	4	4	0
37.7	11.5	802.8	364.1	750 (340)	0	0	0	10	0
39.4	12.0	855.1	387.9	750 (340)	2	0	2	8	2
40.8	12.5	876.7	397.7	750 (340)	0	2	2	8	0
42.3	12.9	892.0	404.6	750 (340)	0	0	4	8	0
43.8	13.4	916.3	415.6	750 (340)	0	0	2	10	0
45.3	13.8	940.6	426.6	750 (340)	0	0	0	12	0

Guard Rail; 1.40 m; 61.036-1289	Guard Rail; 1.85 m; 61.036-1741	Guard Rail; 2.3 m; 61.036	Deck; 0.45 m; 61.081	U-frame; 61.041-03	Guard Rail; Post; 61.037	Endframe 61.040-05	Stirrup 61.087-03**	Cross Beam *Optional 9-3
Qty req'd	Qty req'd	Qty req'd	Qty req'd	Qty req'd	Qty req'd	Qty req'd	Qty req'd	Qty req'd
0	0	0	2	0	0	2	2	2
2	0	0	3	0	0	2	2	2
0	2	0	4	0	0	2	2	2
0	0	2	5	0	0	2	2	2
0	2	0	6	1	2	2	2	2
0	0	2	7	1	2	2	2	2
2	0	2	8	1	2	2	2	2
0	2	2	9	1	2	2	2	2
0	0	4	10	1	2	2	2	2
0	2	2	11	2	4	2	2	2
2	2	2	12	2	4	2	2	2
2	0	4	13	2	4	2	2	2
0	2	4	14	2	4	2	2	2
0	0	6	15	2	4	2	2	2
0	2	4	16	3	6	2	2	2
2	2	4	17	3	6	2	2	2
0	4	4	18	3	6	2	2	2
0	2	6	19	3	6	2	2	2
0	0	8	20	3	6	2	2	2
2	4	4	21	4	8	2	2	2
0	6	4	22	4	8	2	2	2
2	4	4	23	5	10	2	2	2
4	4	4	24	5	10	2	2	2
0	0	10	25	4	8	2	2	2
0	2	8	26	5	10	2	2	2
2	2	8	27	5	10	2	2	2
0	4	8	28	5	10	2	2	2
0	2	10	29	5	10	2	2	2
0	0	12	30	5	10	2	2	2

*Used only when end stirrup location does not line up with rigging point overhead

**The quantity of 61.087-03 stirrups can be reduced if using the 9-3 Cross Beam within 12 inches of the 61.040-05 End Frame. If using the 9-3 positioned greater than 12 in. from the end frame, then the 61.087-03 stirrup is also required.