

NOTES:

101. USE OF SUSPENDED SCAFFOLDING SHALL COMPLY WITH OSHA 29 CFR 1926.451(f) AND ANY APPLICABLE LOCAL REGULATIONS.

102. ALL PERSONNEL ON SUSPENDED SCAFFOLDING SHALL HAVE AN INDEPENDENT FALL ARREST SYSTEM THAT COMPLIES WITH OSHA 29 CFR 1926.451(g) AND ANY APPLICABLE LOCAL REGULATIONS.

103. SUPPORTING STRUCTURE MUST HOLD 4000 LB WITHOUT FAILURE.

104. REFER TO SPIDER STAGING OPERATOR'S MANUAL 400540 FOR SPECIFIC INSTRUCTIONS FOR OPERATING THE ST-17 DRUM HOIST.

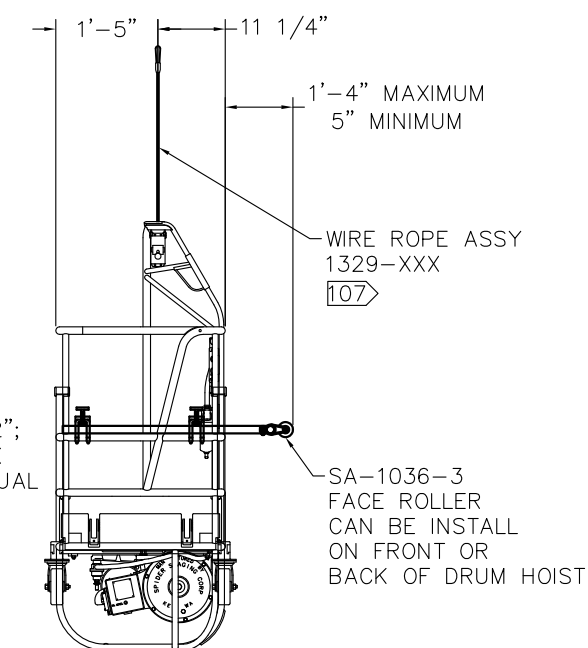
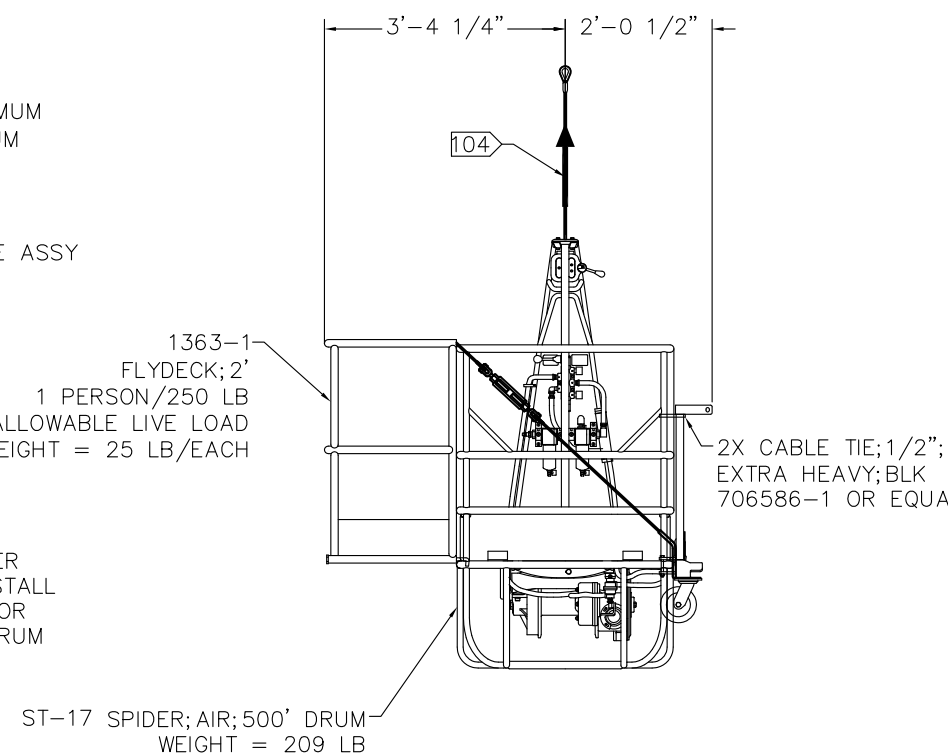
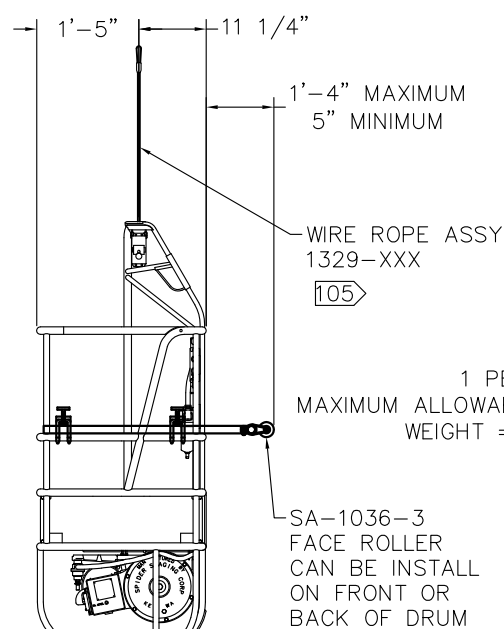
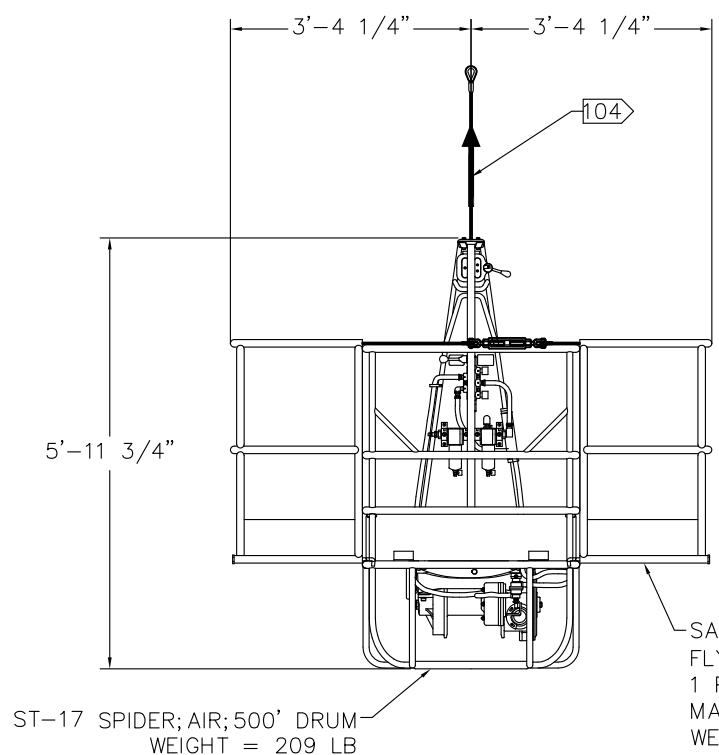
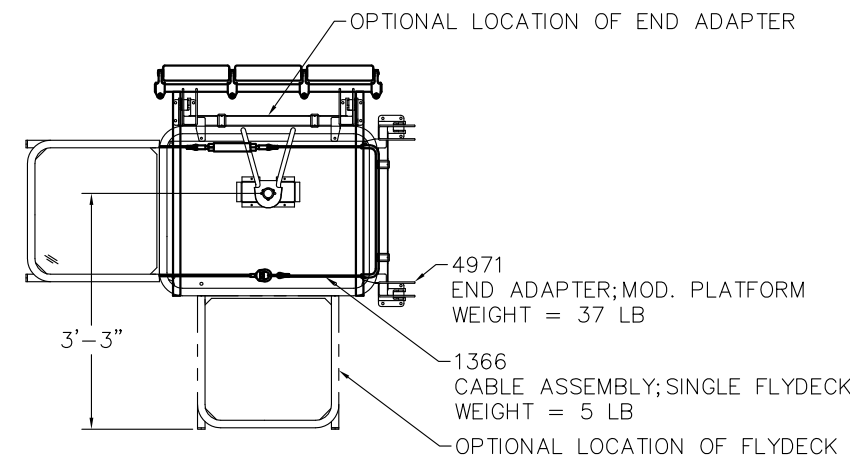
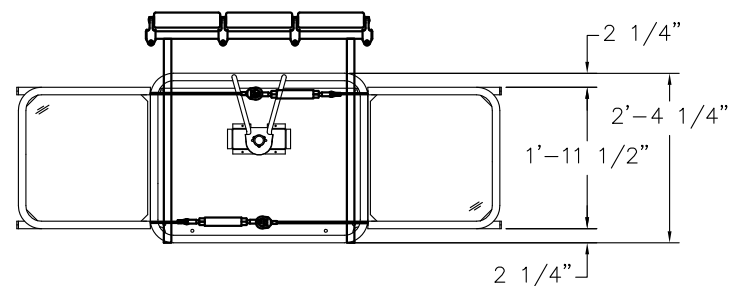
105. SEE GA-1029 FOR WIRE ROPE DETAILS AND WEIGHT.

106. LIVE LOAD CAPACITY IS EQUAL TO THE GROSS CAPACITY MINUS THE WEIGHT OF THE BASKET, WIRE ROPE, ACCESSORIES AND POWER CORD/AIR HOSE LOAD. ALLOWABLE NUMBER OF PERSONNEL SHALL BE CALCULATED AT 250 LB PER PERSON

106. MAXIMUM RATED GROSS CAPACITY

1000 LB NET

DO NOT EXCEED !!!



ST-17 BASKET WITH PAIR OF 2' FLYDECK

ST-17 BASKET WITH SINGLE 2' FLYDECK

REV 1	ECO	BETA RELEASED	DATE 11-14-2013	BY TSM	CK JTA
Spider A Division of SafeWorks, LLC					
MATERIAL: THIS DRAWING IS THE PROPERTY OF SAFEWORKS, LLC. AND IS NOT TO BE COPIED OR REPRODUCED WITHOUT THE WRITTEN CONSENT OF SAFEWORKS, LLC.					
TITLE SPIDER ST-17 BASKET WITH 2' FLYDECK					
DRAWN BY TSM	DATE 5-17-13		DRAWING NUMBER GA1027		
ENG JTA	SCALE D 3/4":1'-0"		1 OF 1		