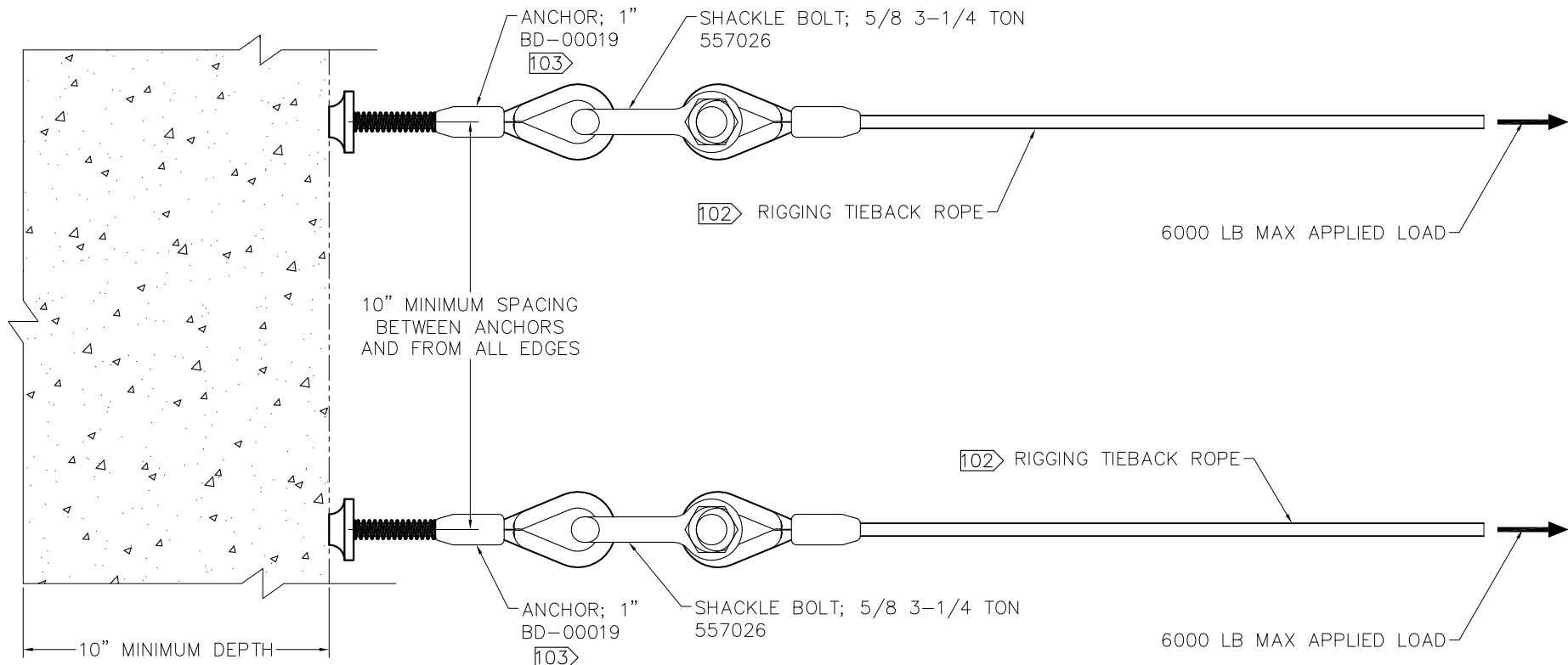
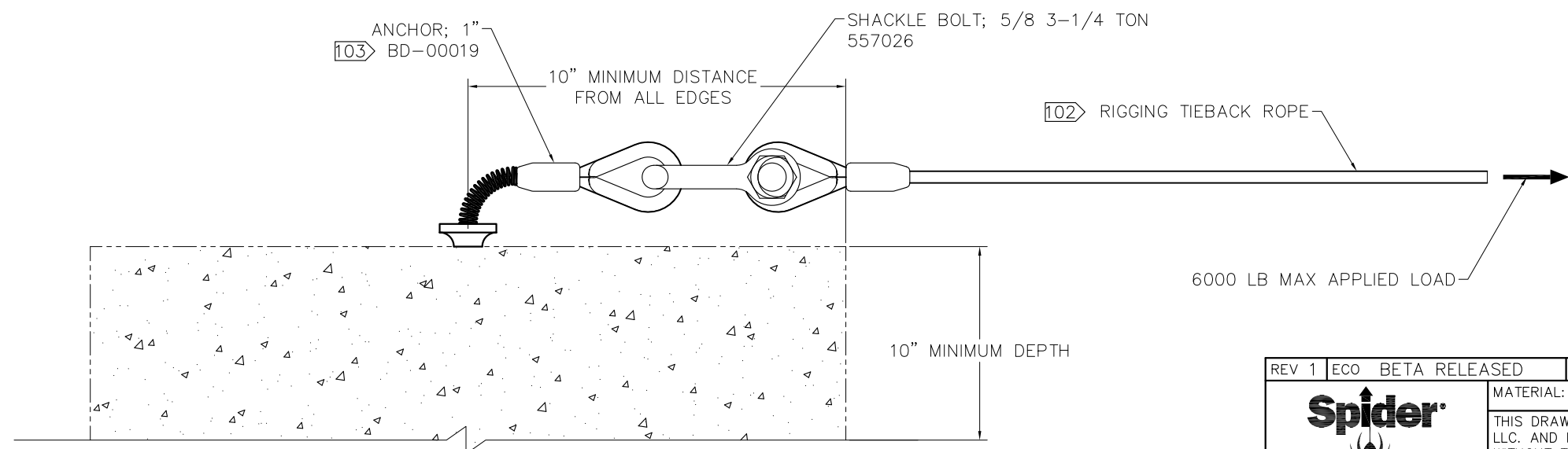


NOTES:


- 101. USE OF SUSPENDED SCAFFOLDING MUST COMPLY WITH OSHA 29 CFR 1926.451(f) AND ANY APPLICABLE LOCAL REGULATIONS.
- 102. SUSPENDED SCAFFOLD RIGGING AND TIEBACKS MUST COMPLY WITH OSHA 29 CFR 1926.451(a) AND 1926.451(d) AND ANY APPLICABLE LOCAL REGULATIONS.
- 103. INSTALLATION AND USAGE SHALL COMPLY WITH MANUFACTURER'S INSTRUCTIONS.
- 104. INSTALLATION SHALL BE INSPECTED PRIOR TO EACH WORK SHIFT.
- 105. FOR USE IN CURED CONCRETE ONLY. DO NOT USE IN STEEL, WOOD OR ANY OTHER SUBSTRATES.
- 106. NOT TO BE USED FOR FALL PROTECTION.



2K SPIDER BOLT INSTALLATION IN VERTICAL SURFACE



2K SPIDER BOLT INSTALLATION IN HORIZONTAL SURFACE

REV 1	ECO	BETA RELEASED	DATE 4-19-2013	BYTSM	CKJTA
 A Division of SafeWorks, LLC			MATERIAL:		
365 UPLAND DRIVE SEATTLE, WASHINGTON 98188			THIS DRAWING IS THE PROPERTY OF SAFEWORKS, LLC. AND IS NOT TO BE COPIED OR REPRODUCED WITHOUT THE WRITTEN CONSENT OF SAFEWORKS, LLC.		
DRAWN BY TSM	DATE	TITLE		RIGGING TIEBACK 2K SPIDER BOLT	
ENG JTA	SCALE 1:2	DRAWING NUMBER	GA1016		1 OF 1