

NOTES:

101. USE OF SUSPENDED SCAFFOLDING MUST COMPLY WITH OSHA 29 CFR 1926.451(f) AND ANY APPLICABLE LOCAL REGULATIONS.

102. ALL PERSONNEL ON SUSPENDED SCAFFOLDING MUST HAVE AN INDEPENDENT FALL ARREST SYSTEM THAT COMPLIES WITH OSHA 29 CFR 1926.451(g) AND ANY APPLICABLE LOCAL REGULATIONS.

103. SUSPENDED SCAFFOLD RIGGING AND TIEBACKS MUST COMPLY WITH OSHA 29 CFR 1926.451(a) AND 1926.451(d) AND ANY APPLICABLE LOCAL REGULATIONS.

104. SEE TABLE FOR AMOUNT OF COUNTERWEIGHT REQ'D AND RESULTANT LEG LOADS.

105. SUPPORTING STRUCTURE MUST HOLD LOADS SHOWN WITHOUT FAILURE. LOADS SHOWN WERE CALCULATED AT 4 TIMES HOIST RATED CAPACITY.

106. FOR REACHES NOT LISTED THE AMOUNT OF COUNTERWEIGHT CAN BE CALCULATED USING THE EQUATION $C=(4xLxR)/B$ THE VERTICAL REACTION AT THE FULCRUM CAN BE CALCULATED BY USING THE EQUATION $F=(4xL+C)$

107. SEE DRAWINGS GA1001, GA1002 & GA1003 FOR DETAILS OF TYPICAL PLATFORM ASSEMBLES

108. TYPICAL TIEBACK DETAILS ON GA1014, GA1015 & GA1016

		"R" REACH (INCHES)										
		66"	60"	54"	48"	42"	36"	30"	24"	18"		
RATED LOAD OF HOIST (LB) "L"	1000	44 28 25	58 25 22	33 21 19	28 19 17	24 16 14	20 13 12	16 11 10	12 9 8	9 6 6	16' 22' 25'	OUTRIGGER LENGTH (FEET) (R+B)
	1250	UN-SAFE	UN-SAFE	41 27 24	35 23 21	29 20 18	24 17 15	20 14 12	15 11 10	11 8 7	16' 22' 25'	
	1500	UN-SAFE	UN-SAFE	UN-SAFE	42 28 25	35 24 21	29 20 18	23 16 15	18 13 12	13 9 9	16' 22' 25'	

NO. OF 50 LB COUNTERWEIGHTS "N"

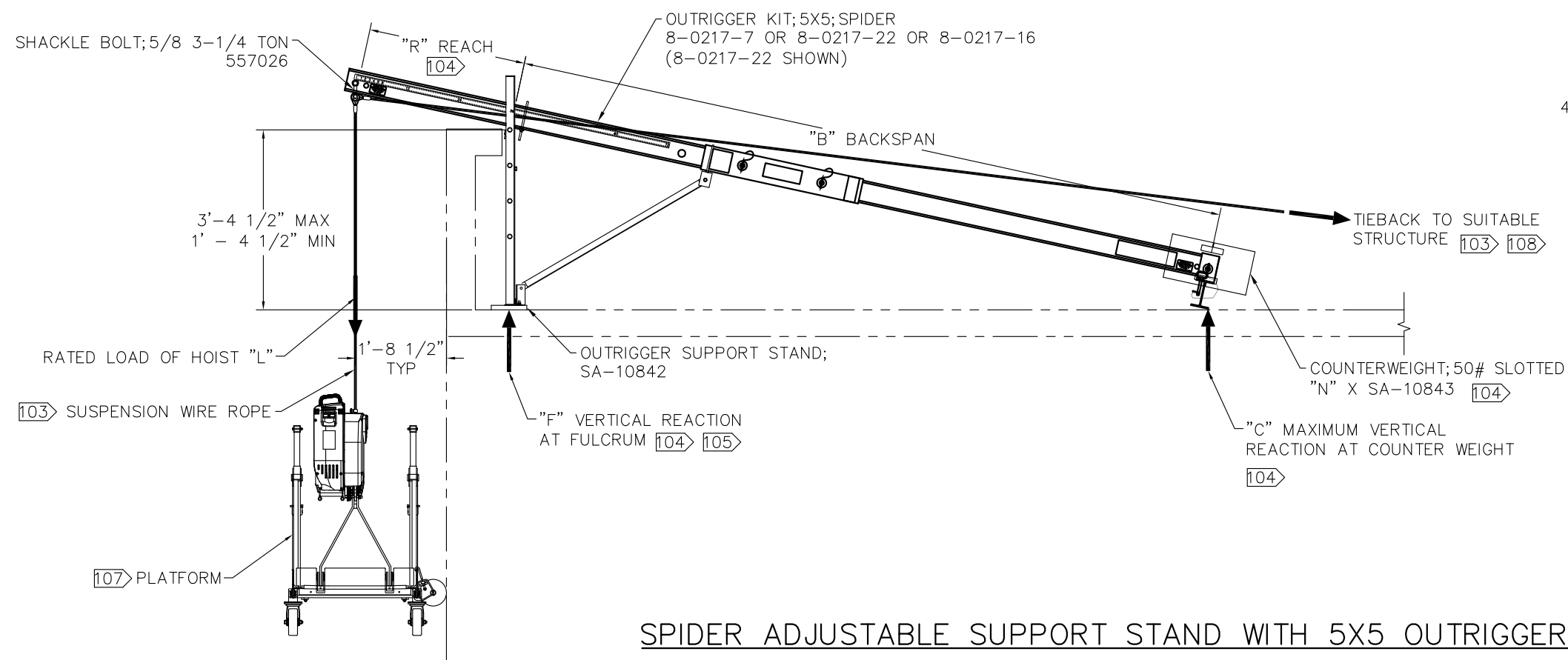
COUNTERWEIGHT TABLE

		"R" REACH (INCHES)										
		66"	60"	54"	48"	42"	36"	30"	24"	18"		
RATED LOAD OF HOIST (LB) "L"	1000	6200 5400 5250	5900 5250 5100	5650 5050 4950	5400 4950 4850	5200 4800 4700	5000 4650 4600	4800 4550 4500	4600 4450 4400	4450 4300 4300	16' 22' 25'	OUTRIGGER LENGTH (FEET) (R+B)
	1250	UN-SAFE	UN-SAFE	7050 6350 6200	6750 6150 6050	6450 6000 5900	6200 5850 5750	6000 5700 5600	5750 5550 5500	5550 5400 5350	16' 22' 25'	
	1500	UN-SAFE	UN-SAFE	UN-SAFE	8100 7400 7250	7750 7200 7050	7450 7000 6900	7150 6800 6750	6900 6650 6600	6650 6450 6450	16' 22' 25'	

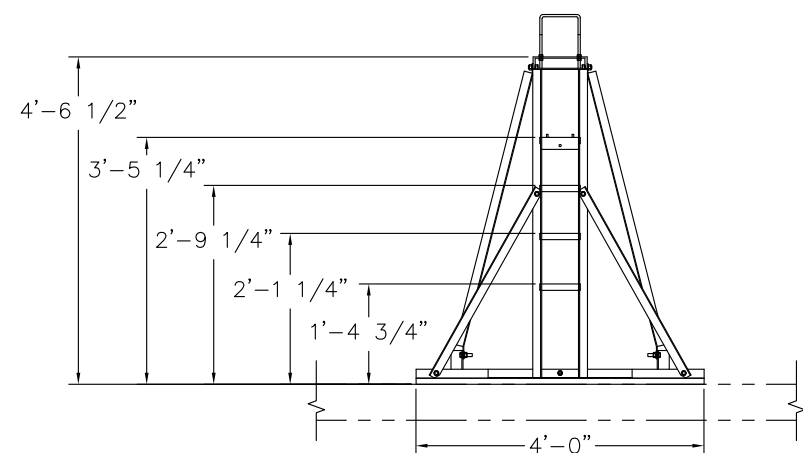
VERTICAL REACTION AT FULCRUM "F" (LB)


		"R" REACH (INCHES)										
		66"	60"	54"	48"	42"	36"	30"	24"	18"		
RATED LOAD OF HOIST (LB) "L"	1000	2200 1400 1250	1900 1250 1100	1650 1050 950	1400 950 850	1200 800 700	1000 650 600	800 550 500	600 450 400	450 300 300	16' 22' 25'	OUTRIGGER LENGTH (FEET) (R+B)
	1250	UN-SAFE	UN-SAFE	2050 1350 1200	1750 1150 1050	1450 1000 900	1200 850 750	1000 700 600	750 550 500	550 400 350	16' 22' 25'	
	1500	UN-SAFE	UN-SAFE	UN-SAFE	2100 1400 1250	1750 1200 1050	1450 1000 900	1150 800 750	900 650 600	650 450 450	16' 22' 25'	

VERTICAL REACTION AT COUNTERWEIGHT "C" (LB)



SPIDER ADJUSTABLE SUPPORT STAND WITH 5X5 OUTRIGGER



REV 1	ECO	BETA RELEASED	DATE 05-10-2013	BY TSM	CK JTA
 A Division of SafeWorks, LLC			MATERIAL:		
365 UPLAND DRIVE SEATTLE, WASHINGTON 98188			THIS DRAWING IS THE PROPERTY OF SAFEWORKS, LLC. AND IS NOT TO BE COPIED OR REPRODUCED WITHOUT THE WRITTEN CONSENT OF SAFEWORKS, LLC.		
DRAWN BY	TSM	DATE	3-21-13	TITLE	
ENG	JTA	SCALE	D 3/4":1'-0"	5X5 OUTRIGGER ADJ SUPPORT STAND	
DRAWING NUMBER			GA1012		1 OF 1