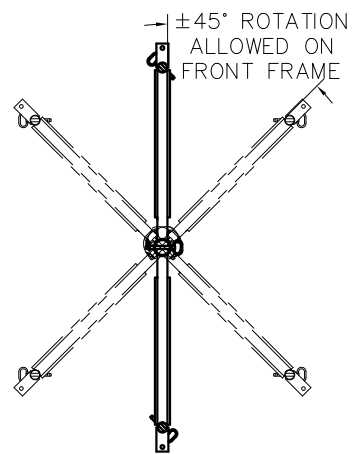


NOTES:

- 101. USE OF SUSPENDED SCAFFOLDING MUST COMPLY WITH OSHA 29 CFR 1926.451(f) AND ANY APPLICABLE LOCAL REGULATIONS.
- 102. ALL PERSONNEL ON SUSPENDED SCAFFOLDING MUST HAVE AN INDEPENDENT FALL ARREST SYSTEM THAT COMPLIES WITH OSHA 29 CFR 1926.451(g) AND ANY APPLICABLE LOCAL REGULATIONS.
- 103. SUSPENDED SCAFFOLD RIGGING AND TIEBACKS MUST COMPLY WITH OSHA 29 CFR 1926.451(a) AND 1926.451(d) AND ANY APPLICABLE LOCAL REGULATIONS.
- 104. USER SHALL FOLLOW DIRECTIONS FOR ASSEMBLY AND USE AS SHOWN ON LABEL P/N 702279
- 105. SEE TABLE FOR AMOUNT OF COUNTERWEIGHT REQ'D AND RESULTANT FRONT LEG LOADS.
- 106. SUPPORTING STRUCTURE MUST HOLD LOADS SHOWN WITHOUT FAILURE. LOADS SHOWN WERE CALCULATED AT 4 TIMES HOIST RATED CAPACITY.
- 107. FOR REACHES NOT LISTED THE AMOUNT OF COUNTERWEIGHT CAN BE CALCULATED USING THE EQUATION  $C=(4 \times L \times R)/B$  THE VERTICAL REACTION AT THE FULCRUM CAN BE CALCULATED BY USING THE EQUATION  $F=(4 \times L + C)/2$
- 108. SEE DRAWINGS GA1001, GA1002 & GA1003 FOR DETAILS OF TYPICAL PLATFORM ASSEMBLES
- 109. TYPICAL TIEBACK DETAILS ON GA1014, GA1015 & GA1016

		"R" REACH (INCHES)								OUTRIGGER LENGTH (FEET) (R+B)	
		66"	60"	54"	48"	42"	36"	30"	24"		18"
RATED LOAD OF HOIST "L"	1000	44 28 25	38 25 22	33 21 19	28 19 17	24 16 14	20 13 12	16 11 10	12 9 8	9 6 6	16' 22' 25'
	1250	UN-SAFE	UN-SAFE	41 27 24	35 23 21	29 20 18	24 17 15	20 14 12	15 11 10	11 8 7	16' 22' 25'
	1500	UN-SAFE	UN-SAFE	UN-SAFE	42 28 25	35 24 21	29 20 18	23 16 15	18 13 12	13 9 9	16' 22' 25'

COUNTERWEIGHT TABLE

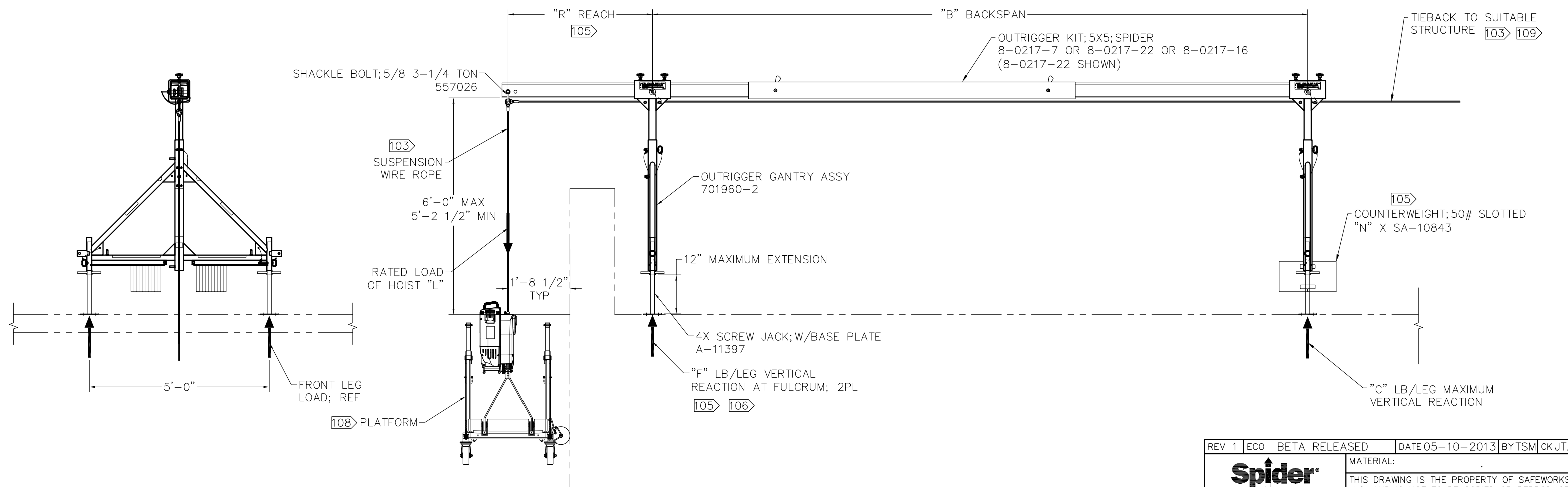


		"R" REACH (INCHES)								OUTRIGGER LENGTH (FEET) (R+B)	
		66"	60"	54"	48"	42"	36"	30"	24"		18"
RATED LOAD OF HOIST "L"	1000	3100 2700 2625	2950 2625 2550	2825 2525 2475	2700 2475 2425	2600 2400 2350	2500 2325 2300	2400 2275 2250	2300 2225 2200	2225 2150 2150	16' 22' 25'
	1250	UN-SAFE	UN-SAFE	3525 3175 3100	3375 3075 3025	3225 3000 2950	3100 2925 2875	3000 2850 2800	2875 2775 2775	2700 2675 2675	16' 22' 25'
	1500	UN-SAFE	UN-SAFE	UN-SAFE	4050 3700 2625	3875 3600 3525	3725 3500 3450	3575 3400 3375	3450 3325 3300	3325 3225 3225	16' 22' 25'

VERTICAL REACTION AT FULCRUM "F" (LB/LEG)

		"R" REACH (INCHES)								OUTRIGGER LENGTH (FEET) (R+B)	
		66"	60"	54"	48"	42"	36"	30"	24"		18"
RATED LOAD OF HOIST "L"	1000	1100 700 625	950 625 550	825 525 475	700 475 425	600 400 350	500 325 300	400 275 250	300 225 200	225 150 150	16' 22' 25'
	1250	UN-SAFE	UN-SAFE	1025 675 600	875 575 525	725 500 450	600 425 375	500 350 300	375 275 250	275 200 175	16' 22' 25'
	1500	UN-SAFE	UN-SAFE	UN-SAFE	1050 700 625	875 600 525	725 500 450	575 400 375	450 325 300	325 225 225	16' 22' 25'

VERTICAL REACTION AT COUNTERWEIGHT "C" (LB/CASTER)



SPIDER FIXED GANTRY WITH 5X5 OUTRIGGER

REV 1	ECO	BETA RELEASED	DATE 05-10-2013	BY TSM	CK JTA
 A Division of SafeWorks, LLC			MATERIAL:		
			THIS DRAWING IS THE PROPERTY OF SAFEWORKS, LLC. AND IS NOT TO BE COPIED OR REPRODUCED WITHOUT THE WRITTEN CONSENT OF SAFEWORKS, LLC.		
DRAWN BY TSM			DATE 3-21-13		
ENG JTA			SCALE D 1" = 1'0"		
TITLE			5X5 OUTRIGGER FIXED GANTRY		
DRAWING NUMBER			GA1008		
			1 OF 1		