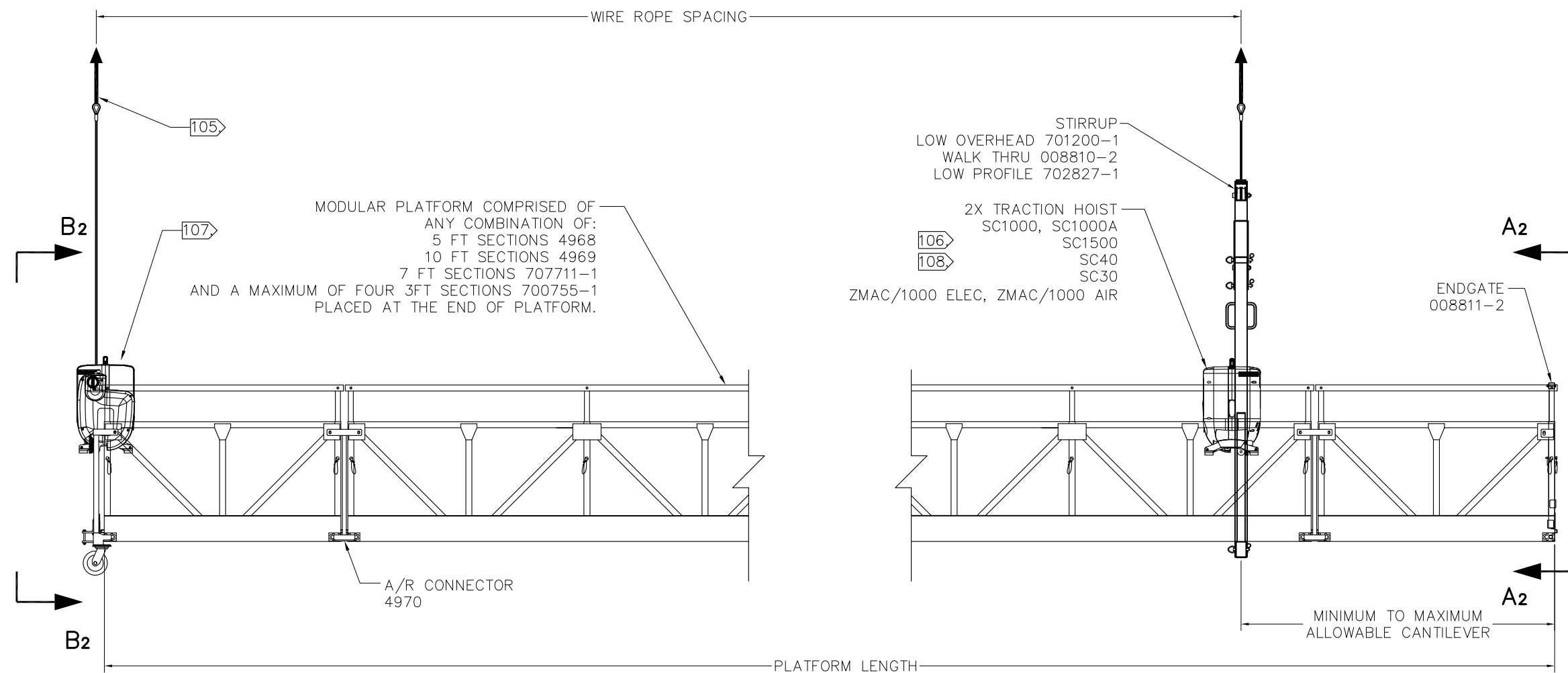


NOTES:

- 101. USE OF SUSPENDED SCAFFOLDING MUST COMPLY WITH OSHA 29 CFR 1926.451(f) AND ANY APPLICABLE LOCAL REGULATIONS.
- 102. ALL PERSONNEL ON SUSPENDED SCAFFOLDING MUST HAVE AN INDEPENDENT FALL ARREST SYSTEM THAT COMPLIES WITH OSHA 29 CFR 1926.451(g) AND ANY APPLICABLE LOCAL REGULATIONS.
- 103. LOAD ON SUSPENDED SCAFFOLDING PLATFORM MUST BE UNIFORMLY DISTRIBUTED. PLATFORM MUST REMAIN LEVEL. HOISTS MUST BE OPERATED SIMULTANEOUSLY.
- 104. SUSPENDED SCAFFOLD RIGGING AND TIEBACKS MUST COMPLY WITH OSHA 29 CFR 1926.451(a) AND 1926.451(d) AND ANY APPLICABLE LOCAL REGULATIONS.
- 105. SUPPORTING STRUCTURE MUST HOLD 4 TIMES HOIST RATED CAPACITY.

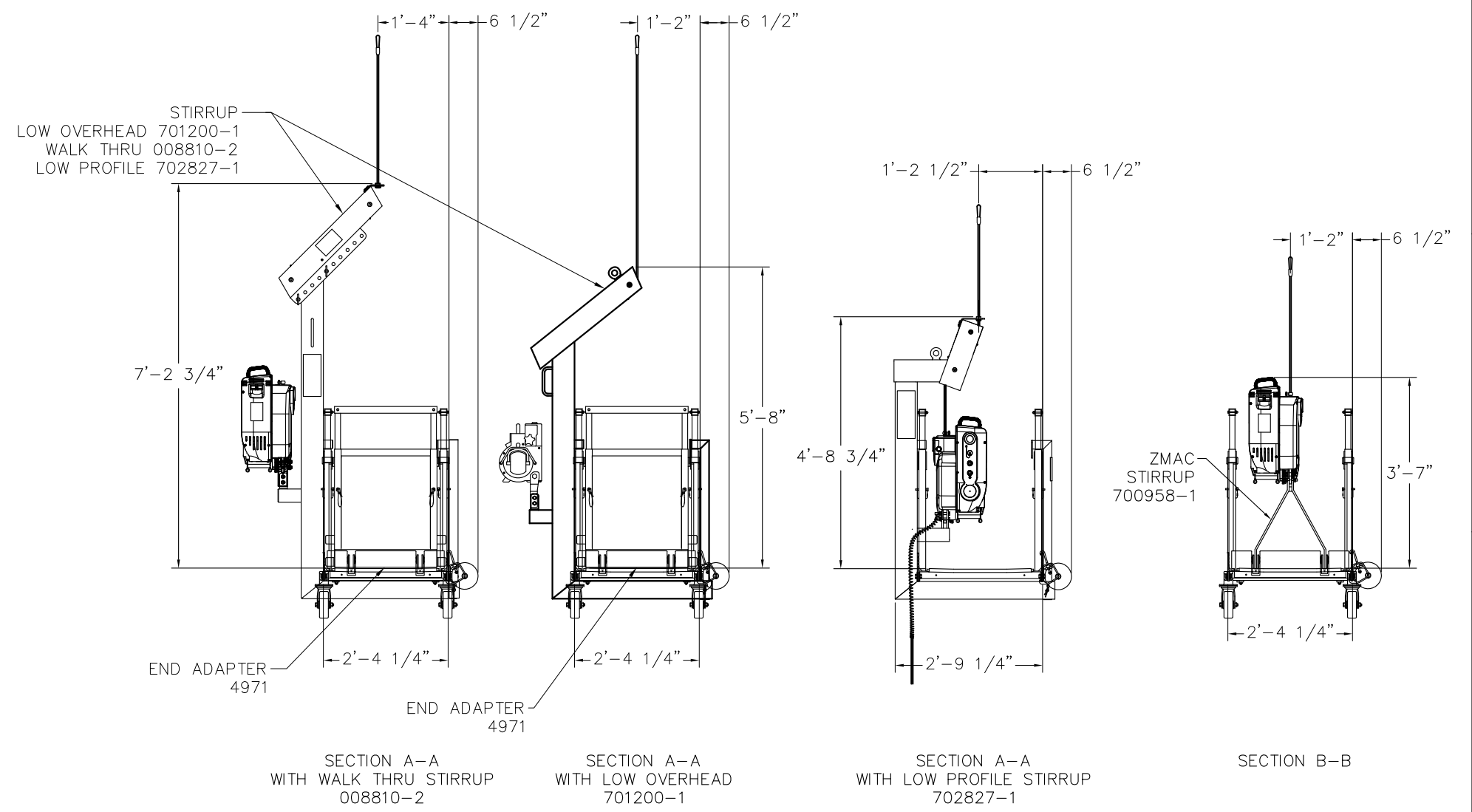
- 106. REFER TO SPECIFIC HOIST MANUAL FOR INSTRUCTIONS ON INSTALLATION AND OPERATION.
- 107. HOIST RATED CAPACITY MUST MEET OR EXCEED HALF THE COMBINED PLATFORM WEIGHT AND LIVE LOAD.
- 108. HOIST RATED CAPACITY MUST MEET OR EXCEED THE LIVE LOAD PLUS HALF THE PLATFORM WEIGHT.

MAXIMUM PLATFORM CAPACITY
 SEE TABLE 1 ON SHEET 2




REV 1	ECO	BETA RELEASED	DATE 4-19-2013	BY TSM	CK JTA
 A Division of SafeWorks, LLC			MATERIAL: THIS DRAWING IS THE PROPERTY OF SAFEWORKS, LLC. AND IS NOT TO BE COPIED OR REPRODUCED WITHOUT THE WRITTEN CONSENT OF SAFEWORKS, LLC.		
DRAWN BY TSM			DATE 3-21-13		
ENG JTA			SCALE D 3/4":1'-0"		
TITLE SPIDER MOD PLATFORM			DRAWING NUMBER GA1002		1 OF 2

PLATFORM LENGTH FEET	ALLOWABLE SINGLE CANTILEVER IN FEET						MINIMUM PLATFORM WEIGHT LB
	500 LB RATING / 2 PERSONNEL		750 LB RATING / 3 PERSONNEL		1000 LB RATING / 4 PERSONNEL		
	MINIMUM	MAXIMUM	MINIMUM	MAXIMUM	MINIMUM	MAXIMUM	
20	0	4	0	3	0	3	701
21	0	5	0	4	0	3	749
22	0	5	0	4	0	3	757
23	0	5	0	4	0	3	770
24	0	5	0	4	0	4	785
25	0	6	0	4	0	4	793
26	0	6	0	5	0	4	839
27	0	6	0	5	0	4	821
28	0	7	0	5	0	4	862
29	0	7	0	5	0	5	877
30	0	7	0	6	0	5	857
31	0	7	0	6	0	5	905
32	0	8	0	6	0	5	913
33	0	8	0	6	0	5	926
34	0	8	0	7	0	5	941
35	0	9	0	7	0	5	949
36	0	9	0	7	0	5	995
37	0	9	0	7	0	5	977
38	0	10	0	8	0	5	1018
39	0	10	0	8	0	5	1033
40	0	10	0	8	0	5	1013
41	0	11	0	9	1	5	1061
42	0	11	0	9	2	5	1069
43	0	11	0	9	3	5	1082
44	0	12	0	9	4	5	1085
45	0	12	0	10	5	5	1105
46	0	12	0	10	NOT ALLOWED	NOT ALLOWED	1151
47	0	13	0	10	NOT ALLOWED	NOT ALLOWED	1133
48	0	13	0	11	NOT ALLOWED	NOT ALLOWED	1174
49	0	13	0	11	NOT ALLOWED	NOT ALLOWED	1189
50	0	14	0	11	NOT ALLOWED	NOT ALLOWED	1169
51	0	14	1	11	NOT ALLOWED	NOT ALLOWED	1217
52	0	14	2	12	NOT ALLOWED	NOT ALLOWED	1225
53	0	15	3	12	NOT ALLOWED	NOT ALLOWED	1238
54	0	15	4	12	NOT ALLOWED	NOT ALLOWED	1253
55	0	15	5	13	NOT ALLOWED	NOT ALLOWED	1261
56	0	15	6	13	NOT ALLOWED	NOT ALLOWED	1307
57	0	15	7	13	NOT ALLOWED	NOT ALLOWED	1289
58	0	15	8	14	NOT ALLOWED	NOT ALLOWED	1330
59	0	15	9	14	NOT ALLOWED	NOT ALLOWED	1345
60	0	15	10	14	NOT ALLOWED	NOT ALLOWED	1325
61	1	15	11	15	NOT ALLOWED	NOT ALLOWED	1373
62	2	15	12	15	NOT ALLOWED	NOT ALLOWED	1381
63	3	15	13	15	NOT ALLOWED	NOT ALLOWED	1394
64	4	15	14	15	NOT ALLOWED	NOT ALLOWED	1409
65	5	15	15	15	NOT ALLOWED	NOT ALLOWED	1417
66	6	15	NOT ALLOWED	NOT ALLOWED	NOT ALLOWED	NOT ALLOWED	1463
67	7	15	NOT ALLOWED	NOT ALLOWED	NOT ALLOWED	NOT ALLOWED	1445
68	8	15	NOT ALLOWED	NOT ALLOWED	NOT ALLOWED	NOT ALLOWED	1486
69	9	15	NOT ALLOWED	NOT ALLOWED	NOT ALLOWED	NOT ALLOWED	1501
70	10	15	NOT ALLOWED	NOT ALLOWED	NOT ALLOWED	NOT ALLOWED	1481
71	11	15	NOT ALLOWED	NOT ALLOWED	NOT ALLOWED	NOT ALLOWED	1529
72	12	15	NOT ALLOWED	NOT ALLOWED	NOT ALLOWED	NOT ALLOWED	1537
73	13	15	NOT ALLOWED	NOT ALLOWED	NOT ALLOWED	NOT ALLOWED	1550
74	14	15	NOT ALLOWED	NOT ALLOWED	NOT ALLOWED	NOT ALLOWED	1565
75	15	15	NOT ALLOWED	NOT ALLOWED	NOT ALLOWED	NOT ALLOWED	1573



Requires 1,500 lb. hoist Contact Spider Product Support for Load Distribution Guidance

TABLE 1

REV 1	ECO	BETA RELEASED	DATE	3-21-13	BY/TSM	CK/JTA
 A Division of SafeWorks, LLC			MATERIAL: THIS DRAWING IS THE PROPERTY OF SAFEWORKS, LLC. AND IS NOT TO BE COPIED OR REPRODUCED WITHOUT THE WRITTEN CONSENT OF SAFEWORKS, LLC.			
365 UPLAND DRIVE SEATTLE, WASHINGTON 98188			TITLE SPIDER MOD PLATFORM			
DRAWN BY	TSM	DATE	3-21-13			
ENG	JTA	SCALE	D 3/4":1'-0"			
DRAWING NUMBER			GA1002		2 OF 2	