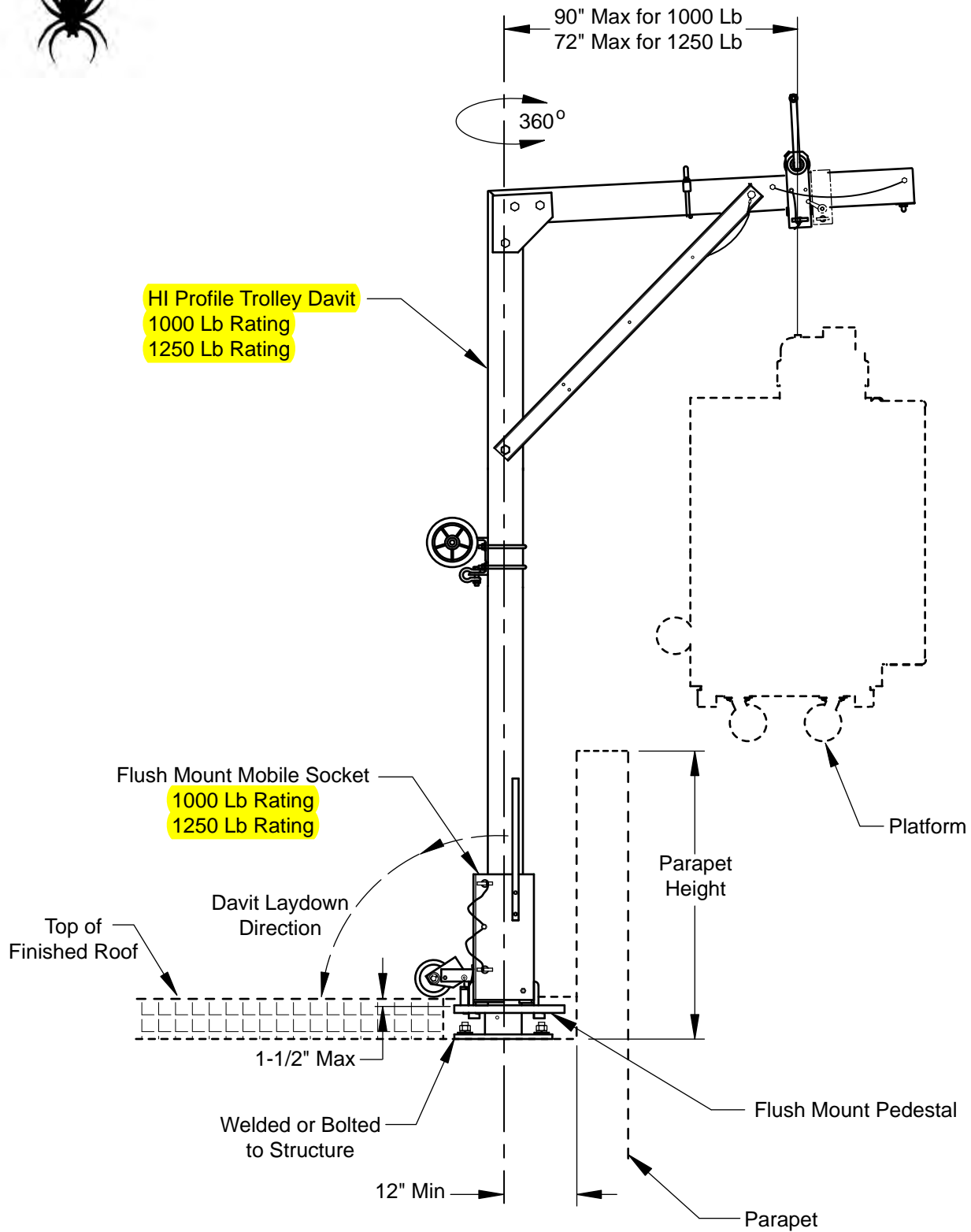




APPLICATION SHEET HI PRO TROLLEY DAVIT AND FLUSH MOUNT SOCKET



Spider Permanent Installations
365 Upland Drive
Tukwila, WA 98188 USA

Phone: (206) 575-6445 / Fax: (206) 575-6240
E-mail: spiderpi@safeworks.com
Internet: www.SpiderStaging.com/pi

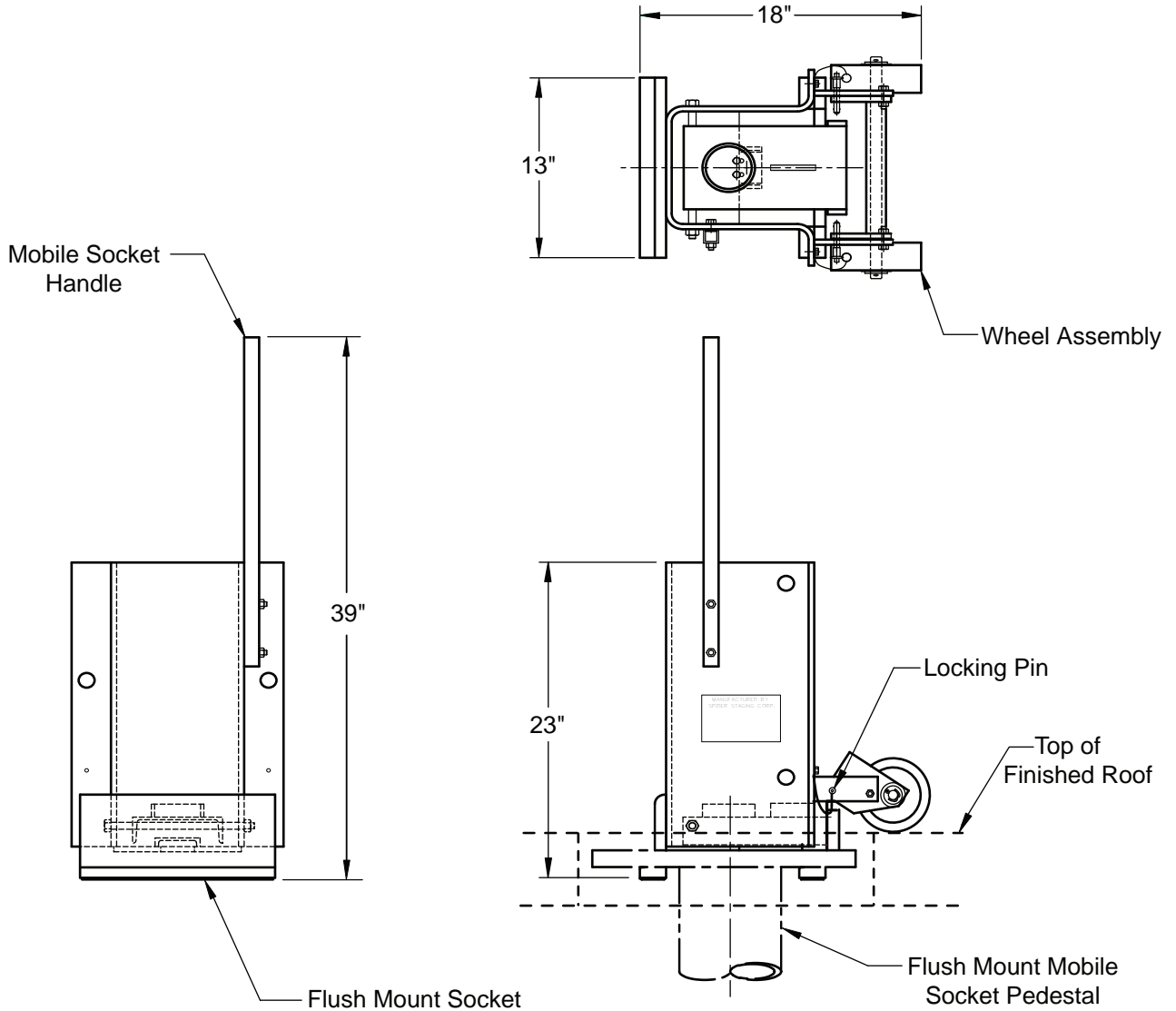
AS-4-1

THIS DATA SHEET AND ALL REPRODUCTIONS ARE THE PROPERTY OF SPIDER®. ALL DIMENSIONS AND FIGURES SHOWN ARE FOR GENERAL INFORMATION ONLY AND SHOULD BE CONFIRMED AND PERMISSION OBTAINED FROM SPIDER BEFORE BEING USED FOR DESIGN OR CONSTRUCTION PURPOSES. ALL INFORMATION IS SUBJECT TO CHANGE WITHOUT NOTICE. SPIDER® IS A DIVISION OF SAFEWORKS™ LLC

Sheet No. 701463-1-AS-4-1 (rev)



DATA & SPECIFICATION SHEET
5" 1250 LB FLUSH MOUNT MOBILE SOCKET - 4444



Description:
 The Spider 4444 Flush Mount Mobile socket assembly consists of a vertical formed socket, bottom plate, wheel assembly and locking plates all fabricated from steel with a galvanized finish per ASTM A123. See Application Sheets for typical mobile socket applications. Conforms to OSHA standards.

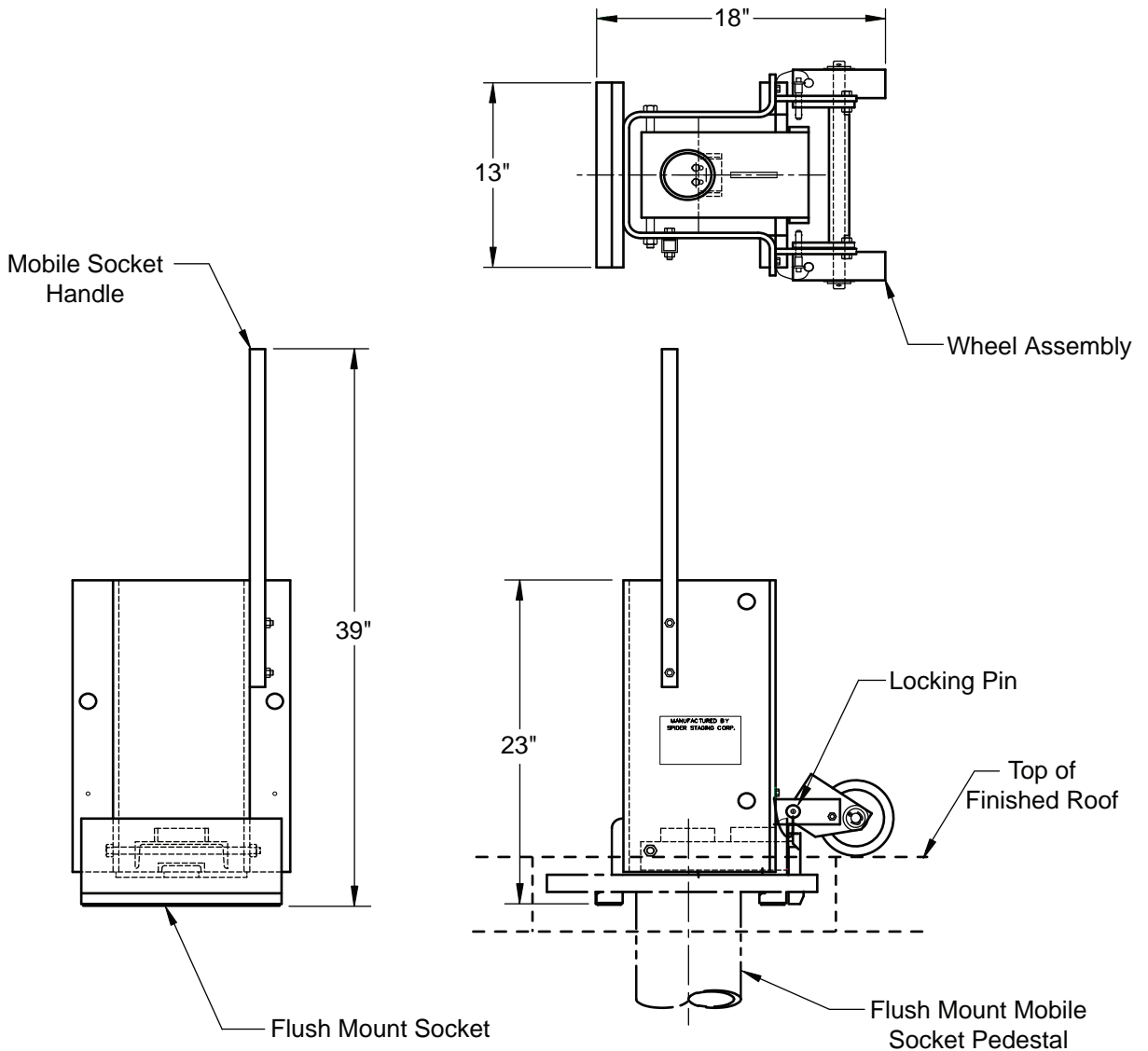
Spider Permanent Installations
 365 Upland Drive
 Tukwila, WA 98188 USA

Phone: (206) 575-6445 / Fax: (206) 575-6240
 E-mail: spiderpi@safeworks.com
 Internet: www.SpiderStaging.com/pi

D3-5-1



DATA & SPECIFICATION SHEET
5" 1000 LB FLUSH MOUNT MOBILE SOCKET - 700877



Description:

The Spider 700877 Flush Mount Mobile socket assembly consists of a vertical formed socket, bottom plate, wheel assembly and locking plates all fabricated from steel with a galvanized finish per ASTM A123. See Application Sheets for typical mobile socket applications. Conforms to OSHA standards.

Spider Permanent Installations
 365 Upland Drive
 Tukwila, WA 98188 USA

Phone: (206) 575-6445 / Fax: (206) 575-6240
 E-mail: spiderpi@safeworks.com
 Internet: www.SpiderStaging.com/pi

D3-6-1

THIS DATA SHEET AND ALL REPRODUCTIONS ARE THE PROPERTY OF SPIDER®. ALL DIMENSIONS AND FIGURES SHOWN ARE FOR GENERAL INFORMATION ONLY AND SHOULD BE CONFIRMED AND PERMISSION OBTAINED FROM SPIDER BEFORE BEING USED FOR DESIGN OR CONSTRUCTION PURPOSES. ALL INFORMATION IS SUBJECT TO CHANGE WITHOUT NOTICE. SPIDER® IS A DIVISION OF SAFEWORKS™ LLC

Sheet No. 701463-1-D3-6-1 (rev)