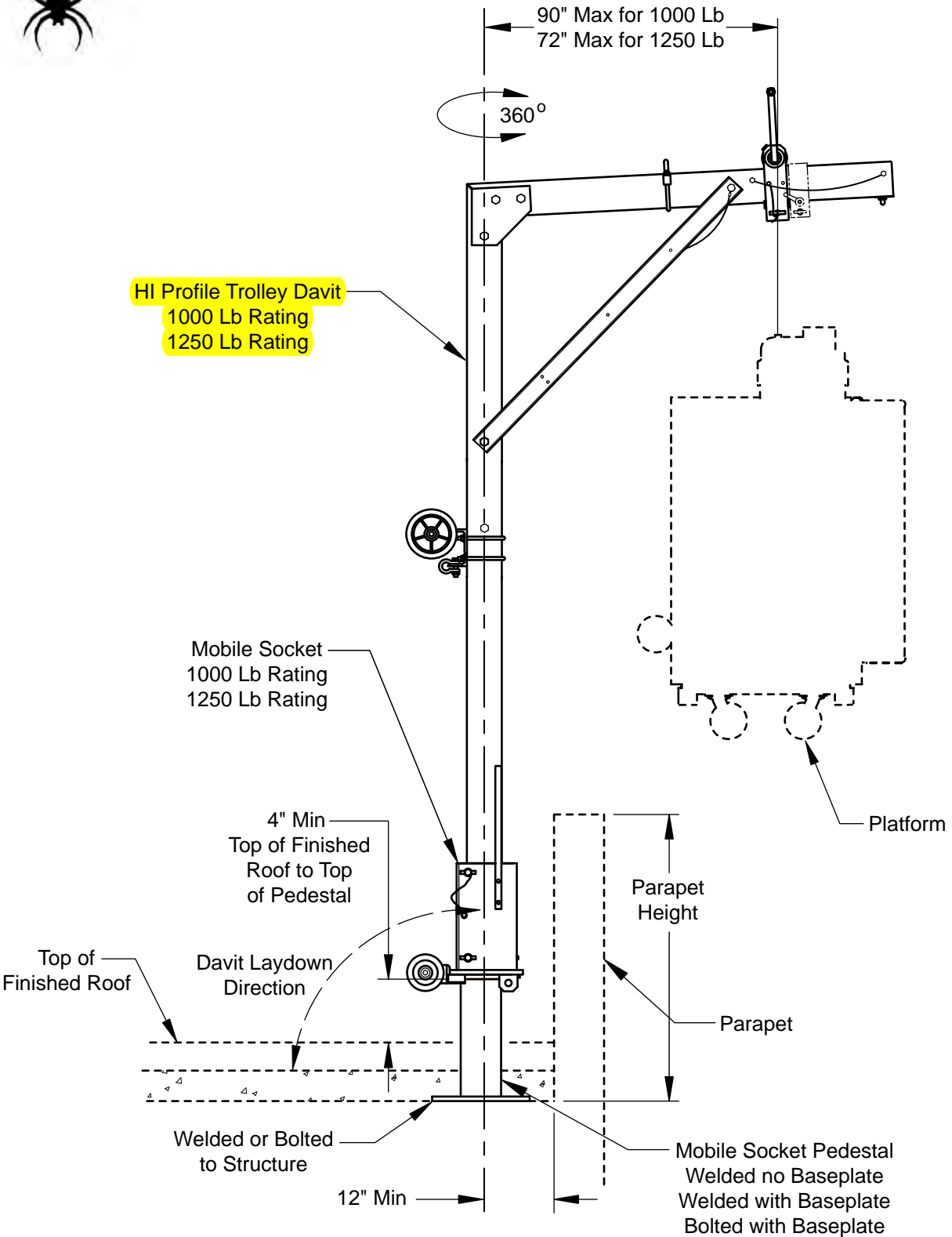




**APPLICATION SHEET
HI PROFILE TROLLEY DAVIT WITH PEDESTAL AND MOBILE SOCKET**



Spider Permanent Installations
365 Upland Drive
Tukwila, WA 98188 USA

Phone: (206) 575-6445 / Fax: (206) 575-6240
E-mail: spiderpi@safeworks.com
Internet: www.SpiderStaging.com/pi

AS-3-1

THIS DATA SHEET AND ALL REPRODUCTIONS ARE THE PROPERTY OF SPIDER® ALL DIMENSIONS AND FIGURES SHOWN ARE FOR GENERAL INFORMATION ONLY AND SHOULD BE CONFIRMED AND PERMISSION OBTAINED FROM SPIDER BEFORE BEING USED FOR DESIGN OR CONSTRUCTION PURPOSES. ALL INFORMATION IS SUBJECT TO CHANGE WITHOUT NOTICE. SPIDER® IS A DIVISION OF SAFEWORKS™ LLC

Sheet No. 701463-1-AS-3-1 (rev)