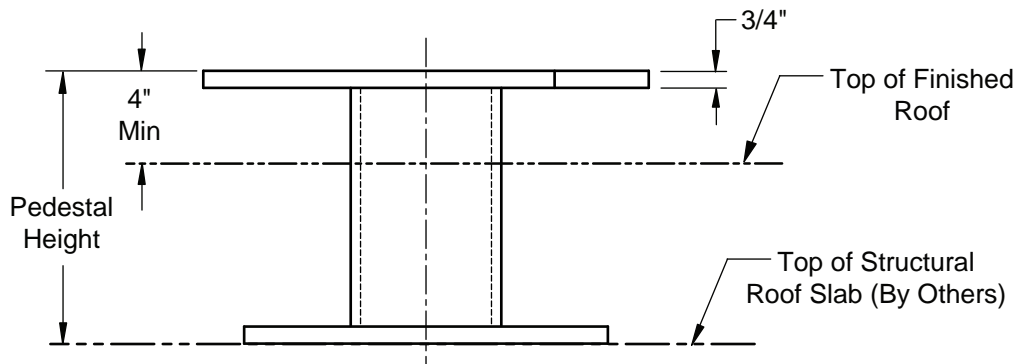
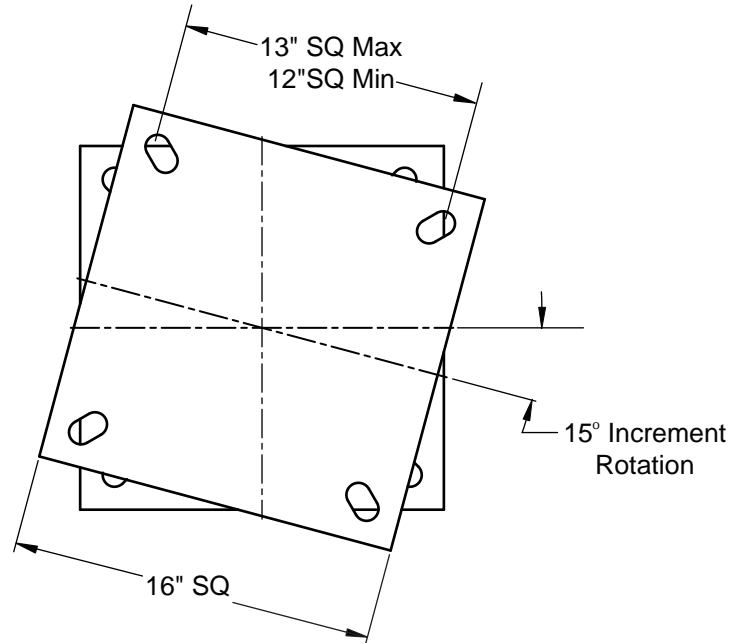




**DATA & SPECIFICATION SHEET**  
**5" BOLTED PEDESTAL WITH BASE PLATE - 700410**



**Description:**

The Spider 700410 socket pedestal assembly consists of a vertical pipe, top & bottom plate all fabricated from ASTM A53 and A36 steel with a galvanized finish per ASTM A123. See Application Sheets for typical pedestal applications. Conforms to OSHA standards.

Spider Permanent Installations  
365 Upland Drive  
Tukwila, WA 98188 USA

Phone: (206) 575-6445 / Fax: (206) 575-6240  
E-mail: spiderpi@safeworks.com  
Internet: www.SpiderStaging.com/pi

**D4-6-1**

THIS DATA SHEET AND ALL REPRODUCTIONS ARE THE PROPERTY OF SPIDER® ALL DIMENSIONS AND FIGURES SHOWN ARE FOR GENERAL INFORMATION ONLY AND SHOULD BE CONFIRMED AND PERMISSION OBTAINED FROM SPIDER BEFORE BEING USED FOR DESIGN OR CONSTRUCTION PURPOSES. ALL INFORMATION IS SUBJECT TO CHANGE WITHOUT NOTICE. SPIDER® IS A DIVISION OF SAFEWORKS™ LLC

Sheet No. 701463-1-D4-6-1 (rev)