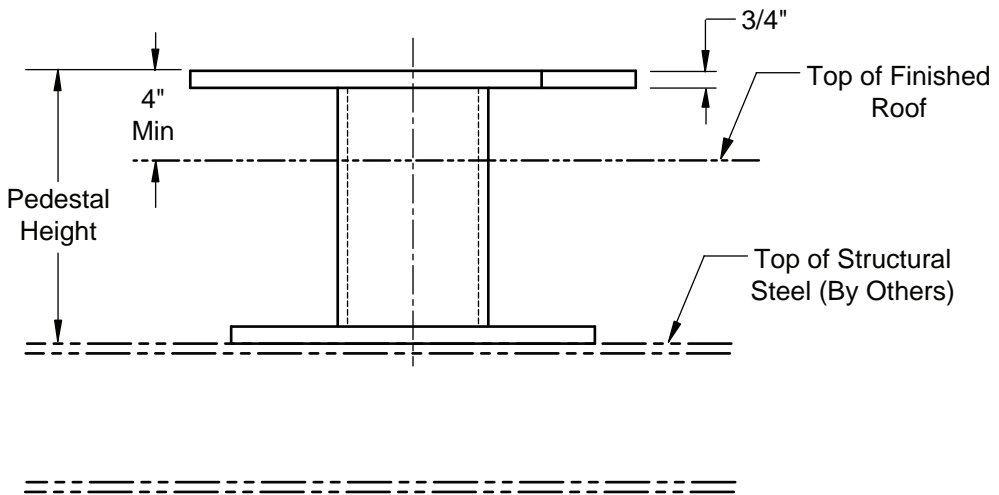
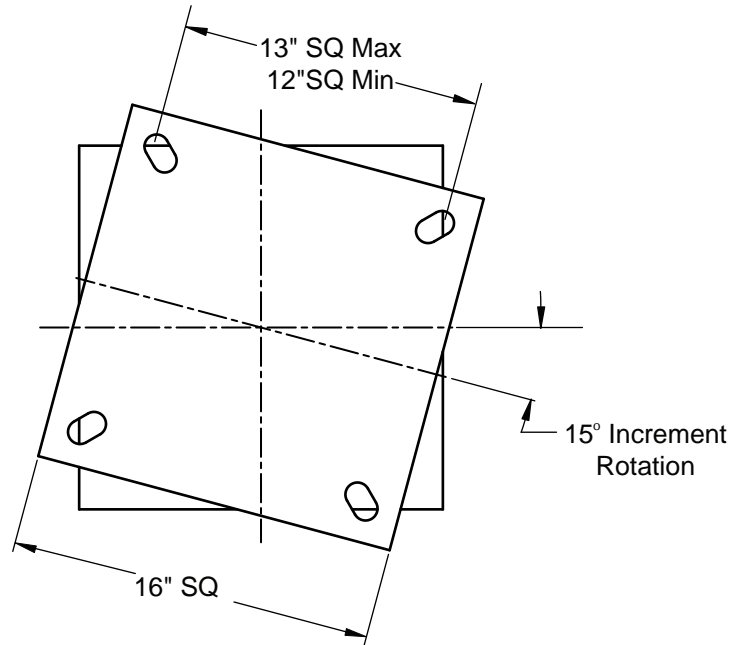




DATA & SPECIFICATION SHEET
5" WELDED PEDESTAL WITH BASE PLATE - 700409



Description:

The Spider 700409 socket pedestal assembly consists of a vertical pipe, top & bottom plate all fabricated from ASTM A53 and A36 steel with a galvanized finish per ASTM A123. See Application Sheets for typical socket application for installations. Conforms to OSHA standards.

Spider Permanent Installations
 365 Upland Drive
 Tukwila, WA 98188 USA

Phone: (206) 575-6445 / Fax: (206) 575-6240
 E-mail: spiderpi@safeworks.com
 Internet: www.SpiderStaging.com/pi

D4-5-1