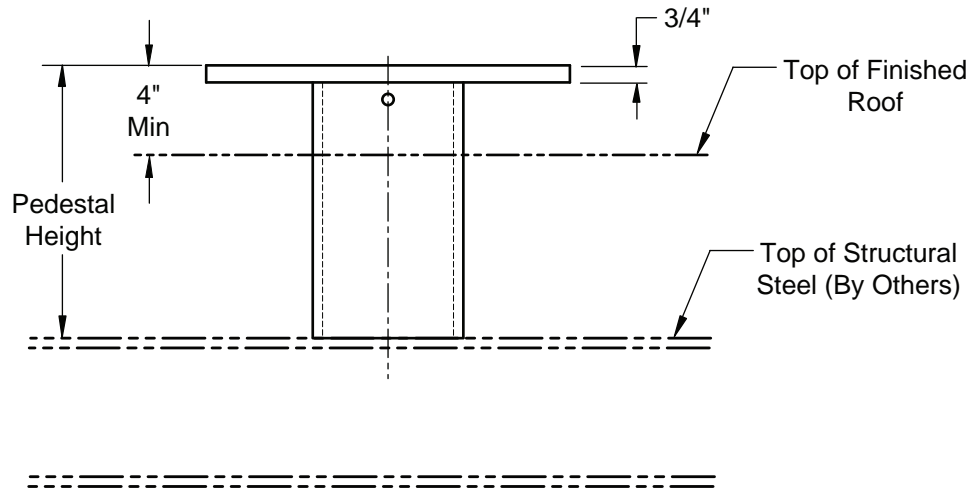
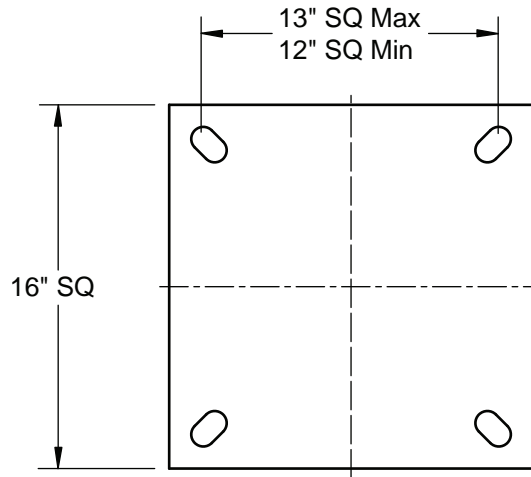




DATA & SPECIFICATION SHEET
5" WELDED PEDESTAL NO BASE PLATE - 700408



Description:

The Spider 700408 socket pedestal assembly consists of a vertical pipe, top plate all fabricated from ASTM A53 and A36 steel with a galvanized finish per ASTM A123. See Application Sheets for typical pedestal applications for installation. Conforms to OSHA standards.

Spider Permanent Installations
365 Upland Drive
Tukwila, WA 98188 USA

Phone: (206) 575-6445 / Fax: (206) 575-6240
E-mail: spiderpi@safeworks.com
Internet: www.SpiderStaging.com/pi

D4-4-1