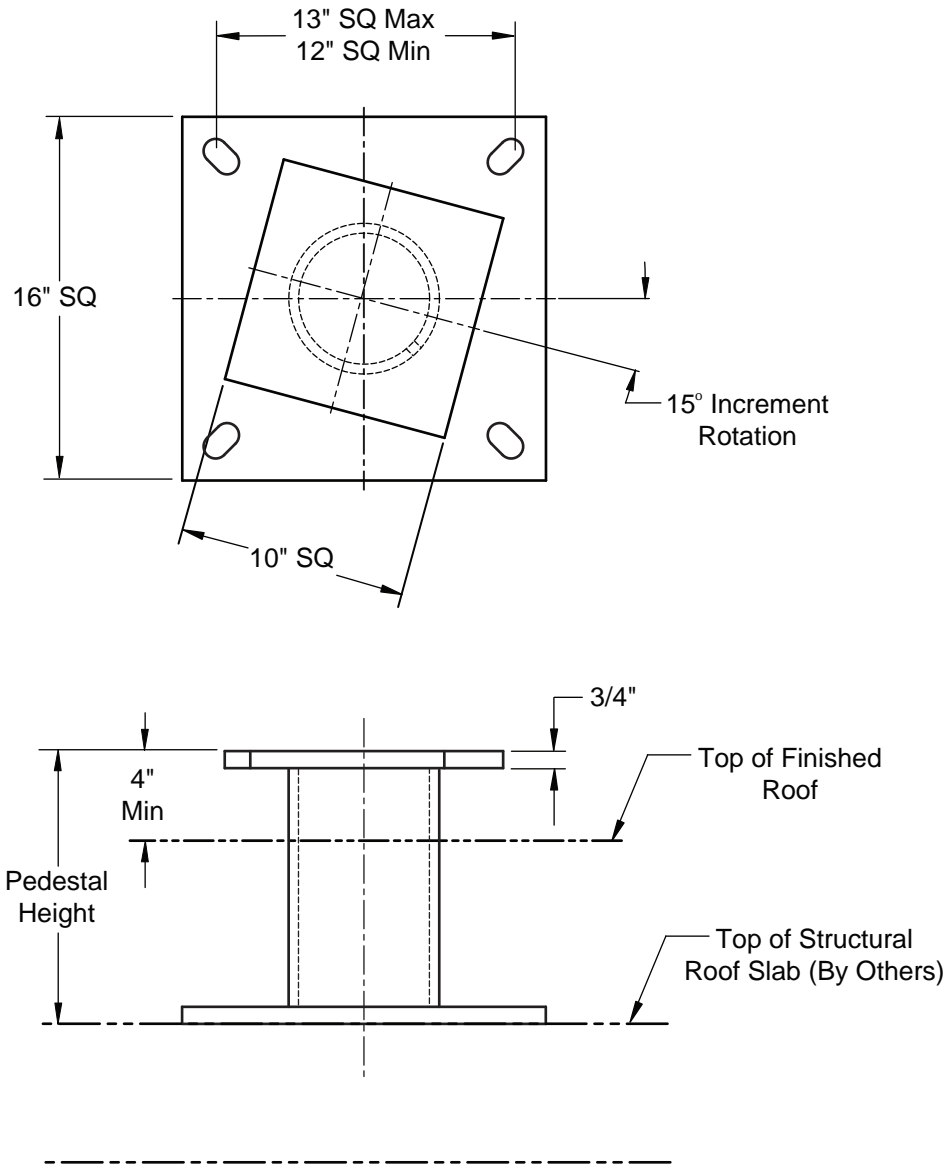




DATA & SPECIFICATION SHEET
5" BOLTED MOBILE SOCKET PEDESTAL - 700338



Description:

The Spider 700338 Mobile socket pedestal assembly consists of a vertical pipe, top & bottom plate all fabricated from ASTM A36 and A53 steel with a galvanized finish per ASTM A123. See Application Sheets for typical mobile socket pedestal applications. Conforms to OSHA standards.

Spider Permanent Installations
 365 Upland Drive
 Tukwila, WA 98188 USA

Phone: (206) 575-6445 / Fax: (206) 575-6240
 E-mail: spiderpi@safeworks.com
 Internet: www.SpiderStaging.com/pi

D4-3-1