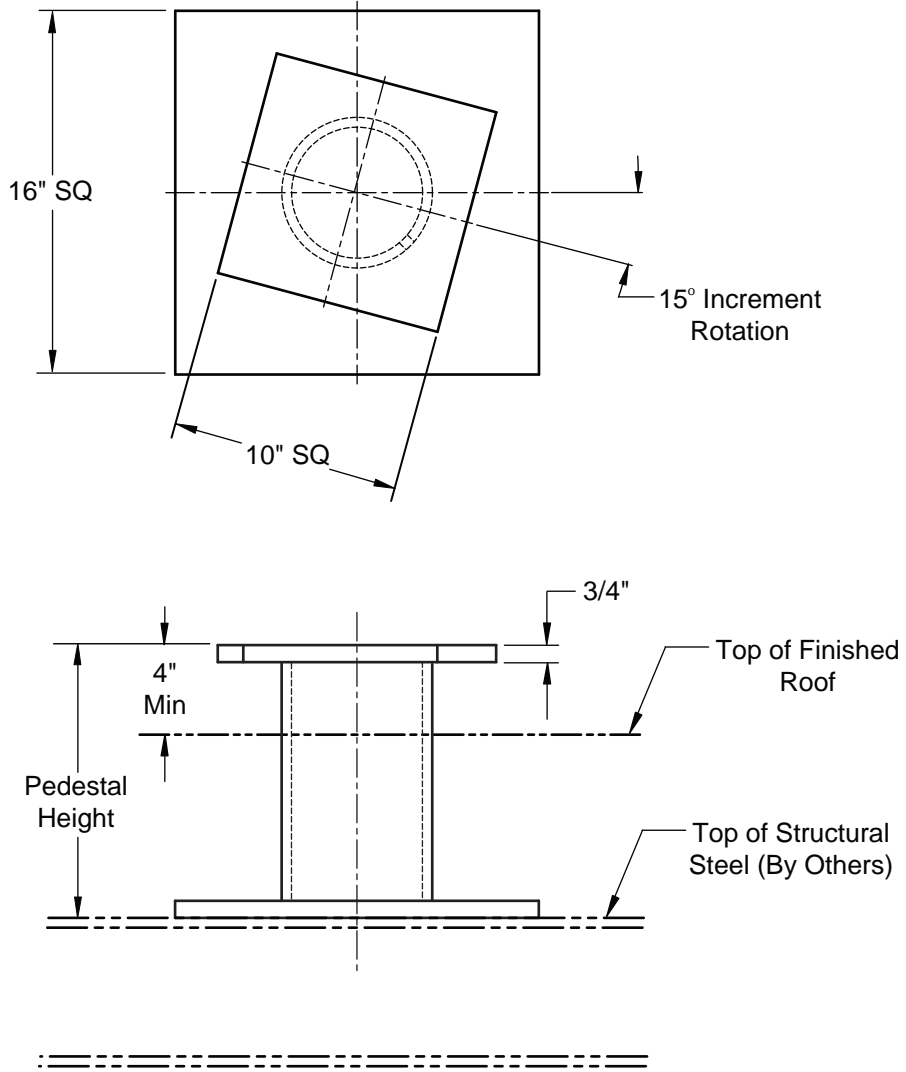




**DATA & SPECIFICATION SHEET**  
**5" WELDED MOBILE SOCKET PEDESTAL - 700337**



**Description:**

The Spider 700337 Mobile socket pedestal assembly consists of a vertical pipe, top & bottom plate all fabricated from ASTM A36 and A53 steel with a galvanized finish per ASTM A123. See Application Sheets for typical mobile socket applications. Conforms to OSHA standards.

Spider Permanent Installations  
 365 Upland Drive  
 Tukwila, WA 98188 USA

Phone: (206) 575-6445 / Fax: (206) 575-6240  
 E-mail: spiderpi@safeworks.com  
 Internet: www.SpiderStaging.com/pi

**D4-2-1**

Sheet No. 701463-1-D4-2-1 (rev)