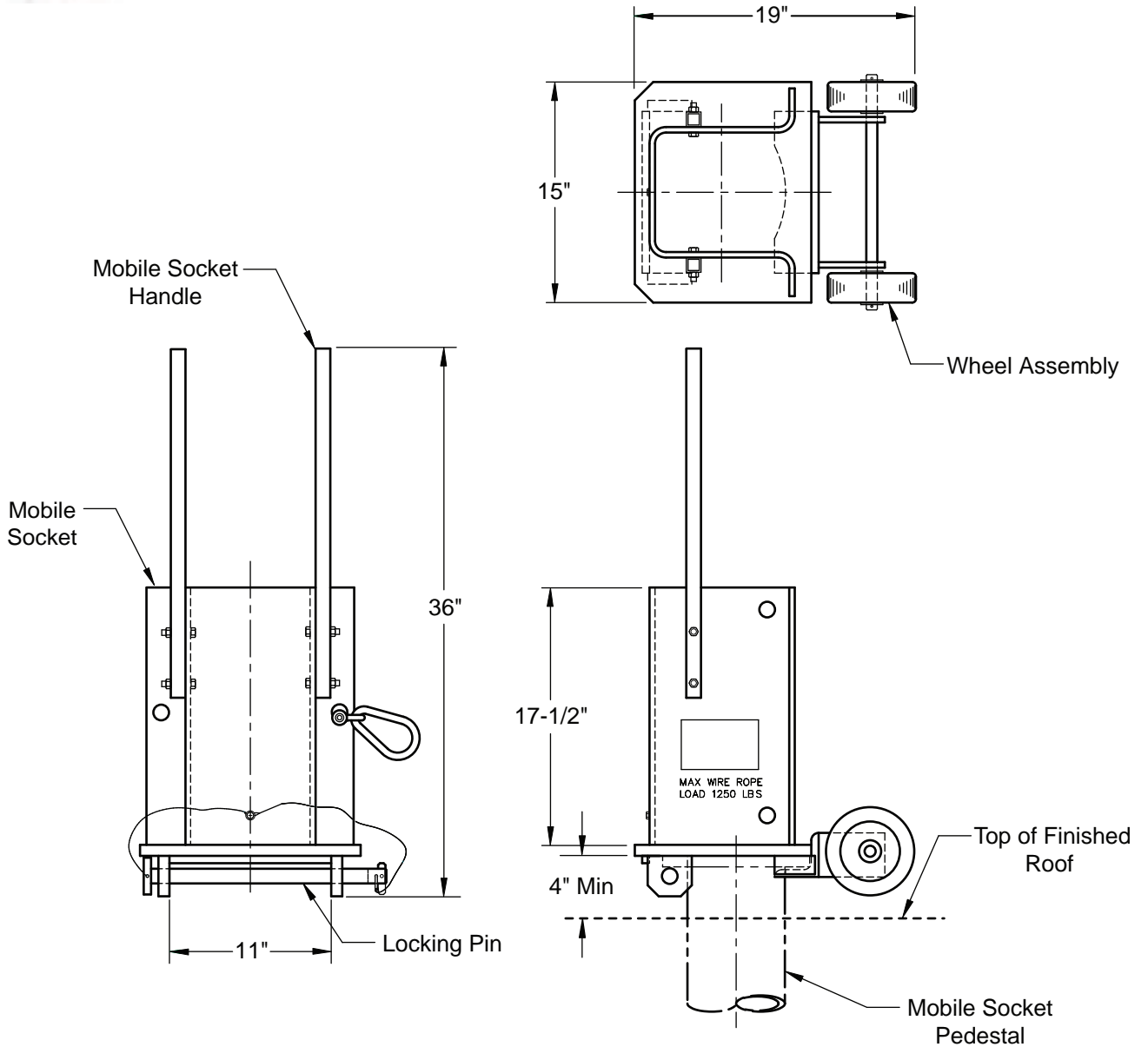




**DATA & SPECIFICATION SHEET**  
**5" 1250 LB CAL MOBILE SOCKET - 700423**



**Description:**

The Spider 700423 Mobile socket assembly consists of a vertical formed socket, bottom plate, wheel assembly and locking pin all fabricated from steel with a galvanized finish per ASTM A123. See Application Sheets for typical mobile socket applications. Conforms to OSHA standards.

Spider Permanent Installations  
 365 Upland Drive  
 Tukwila, WA 98188 USA

Phone: (206) 575-6445 / Fax: (206) 575-6240  
 E-mail: spiderpi@safeworks.com  
 Internet: www.SpiderStaging.com/pi

**D3-3-1**