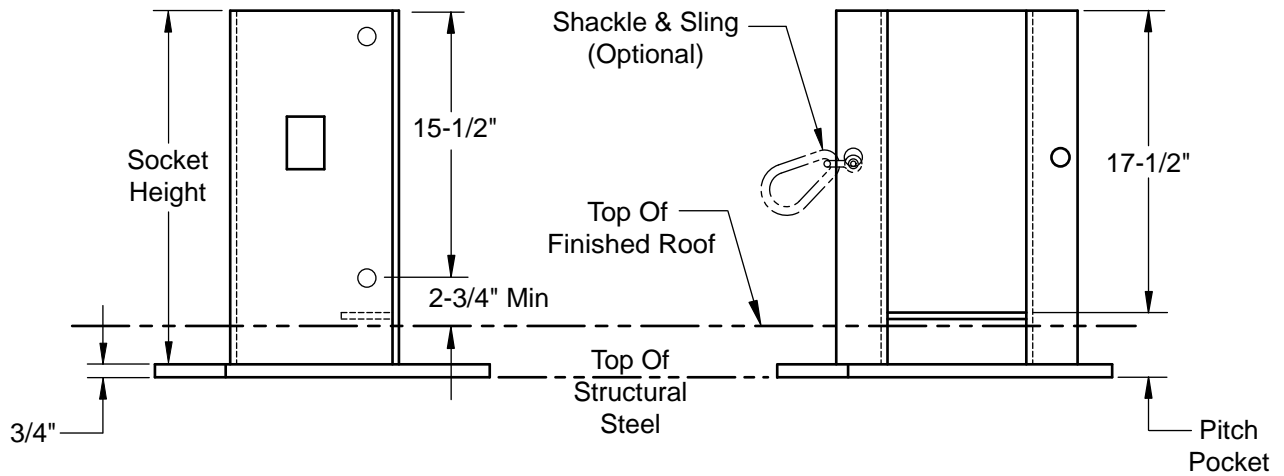
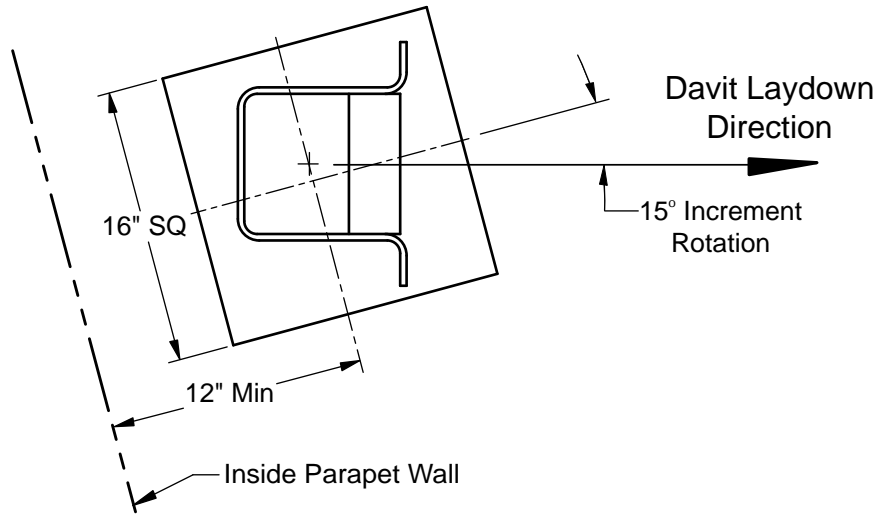




**DATA & SPECIFICATION SHEET**  
**5" WELDED 1250 LB DAVIT SOCKET - 700352**



**Description:**

The Spider 700352 Davit socket assembly consists of a vertical formed socket, bottom plate and middle support bar all fabricated from ASTM A36 steel with a partial galvanized finish per ASTM A123. See Application Sheets for socket system applications. Conforms to OSHA standards.

Spider Permanent Installations  
 365 Upland Drive  
 Tukwila, WA 98188 USA

Phone: (206) 575-6445 / Fax: (206) 575-6240  
 E-mail: spiderpi@safeworks.com  
 Internet: www.SpiderStaging.com/pi

**D2-I-I**